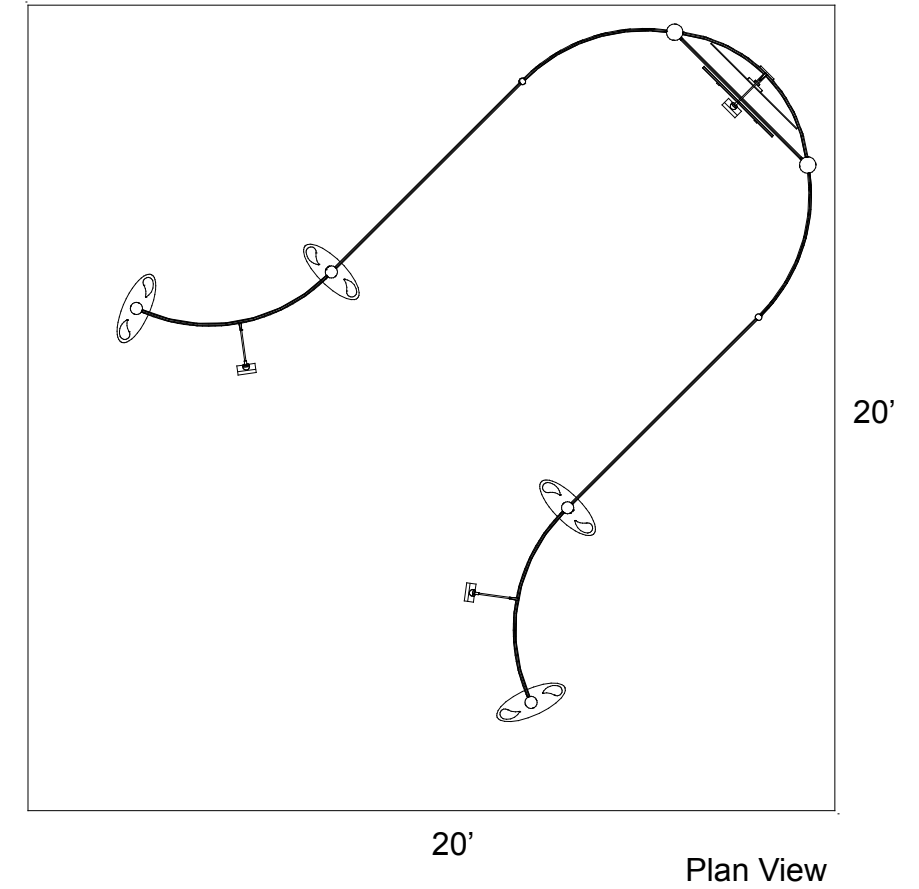
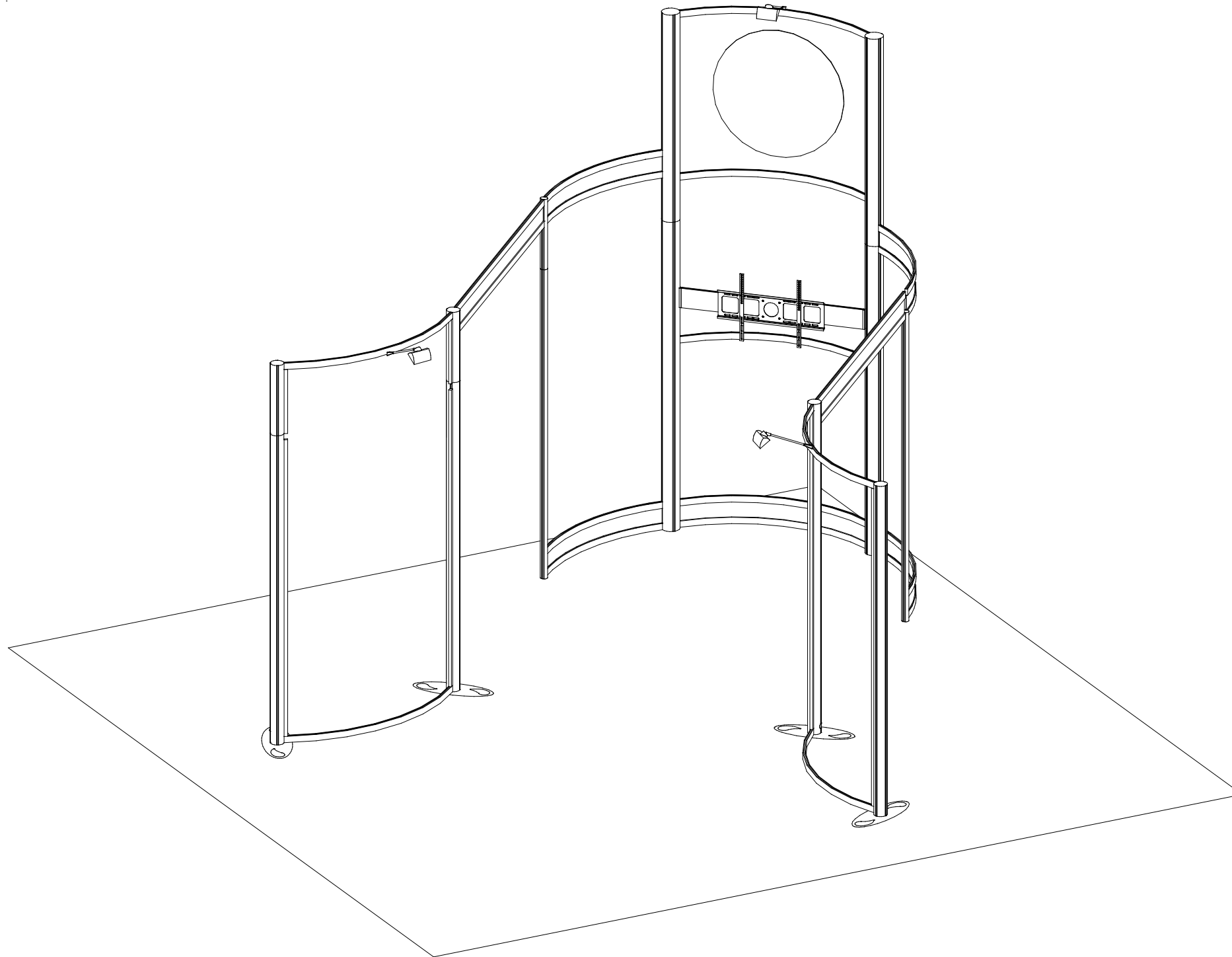


Order #XXXXX - ECO-4019B - 20'x20' Sustainable Island Exhibit



Setups

General Setup Instructions

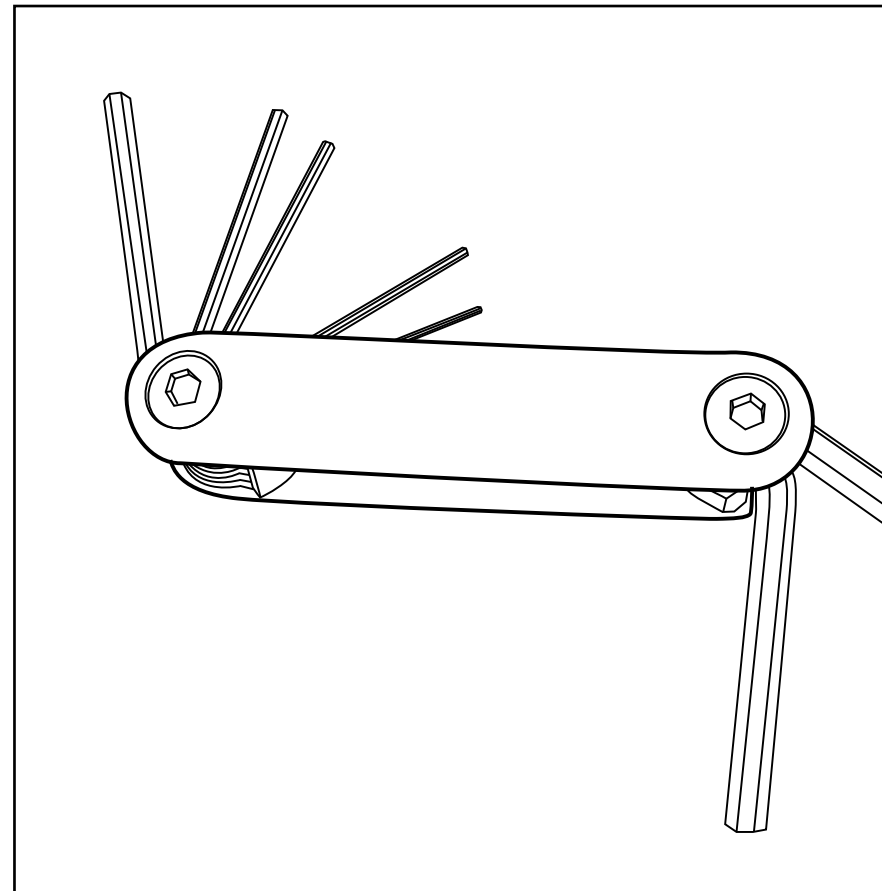
- The setup instructions are created specifically for your configuration.
- Setup instructions are laid out sequentially in levels, including exploded views and a logical series of steps for assembly. We encourage you to study the instructions before attempting to assemble your exhibit.

Cleaning and Packing

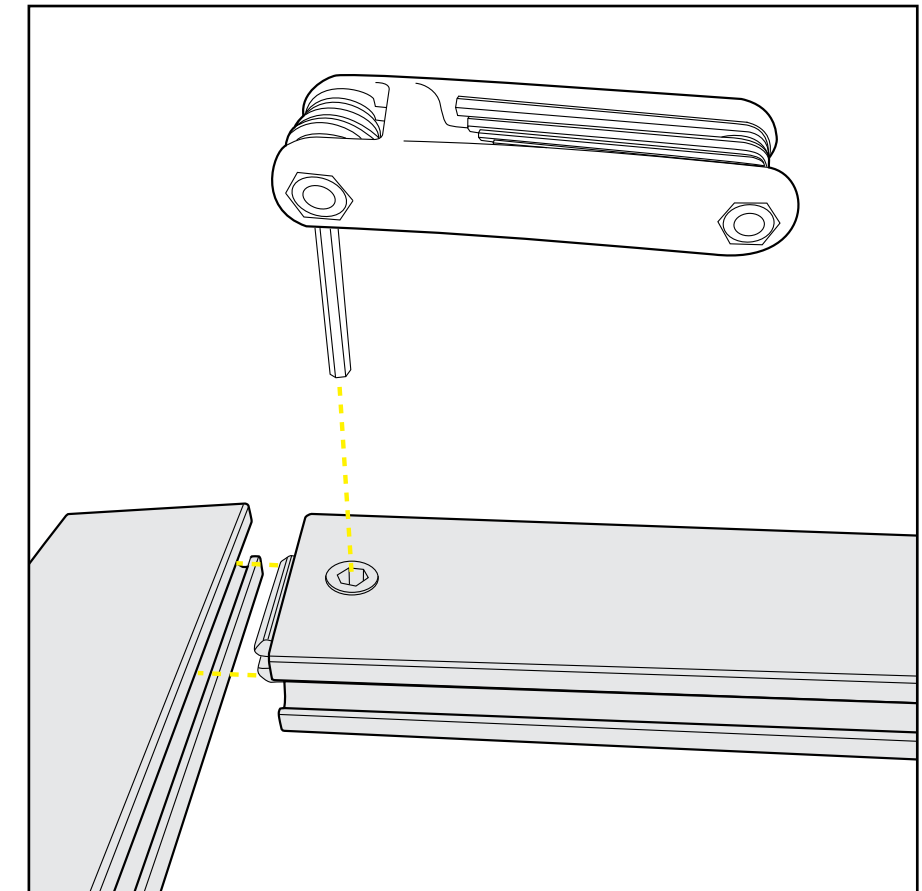
- Use non-abrasive cleaners when cleaning extrusions or ECO Glass inserts.
- Use mild cleaners and soft materials such as cotton to clean all laminates.
- Keep exhibit components away from extreme heat and long exposure to sun light. This will prevent warping and fading.
- Retain all packing material for ease of re-packing. This protects the exhibit components and keeps each part organized.

Disassembling

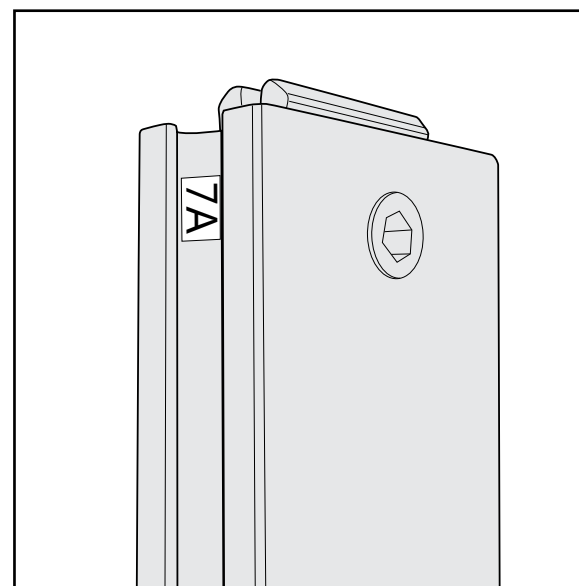
- When disassembling exhibit, tighten all setscrews to prevent loss of hardware in the shipping process.



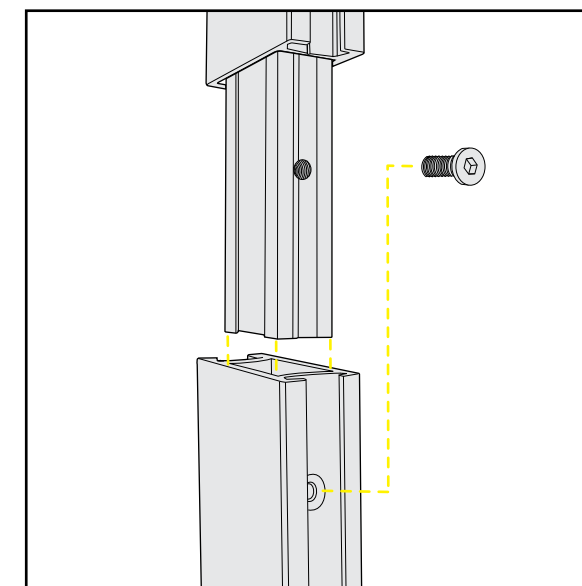
Hex Tool for Assembling Exhibit



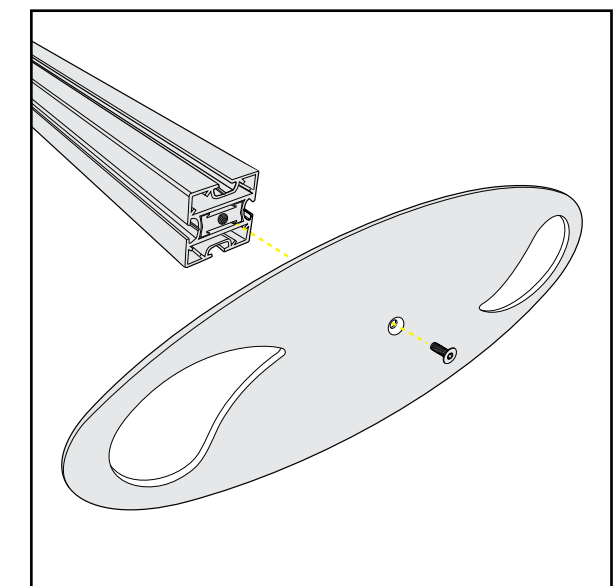
Extrusion Lock Connectors



Numbering Instructions for Setups/Packing



Inline Connection between Extrusions



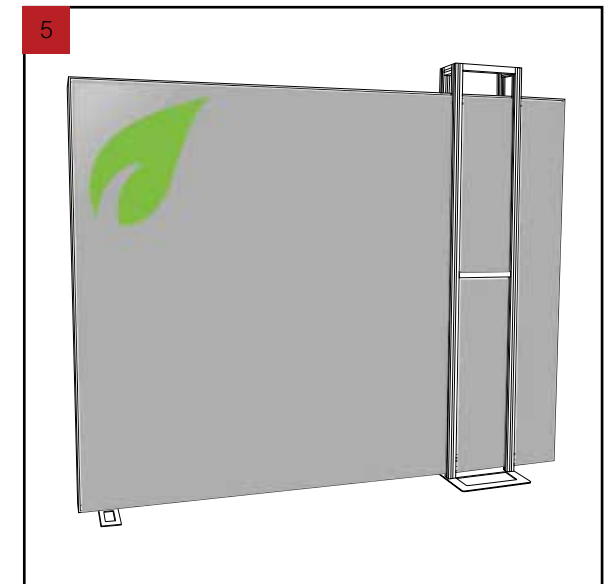
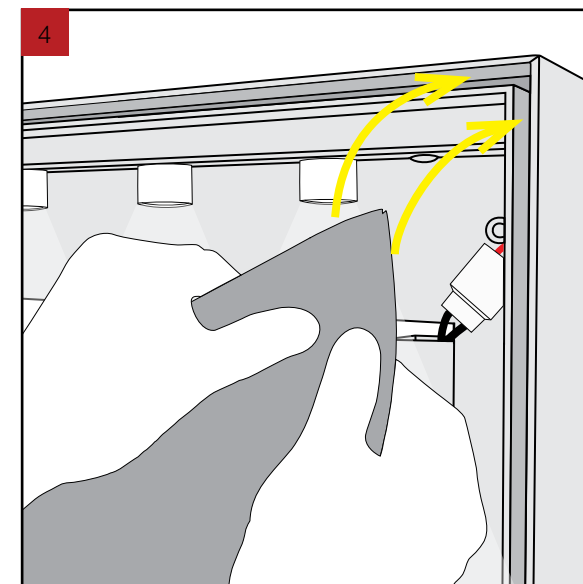
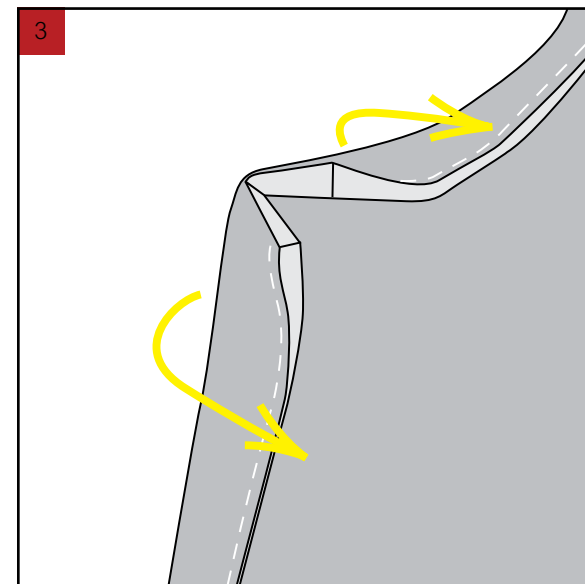
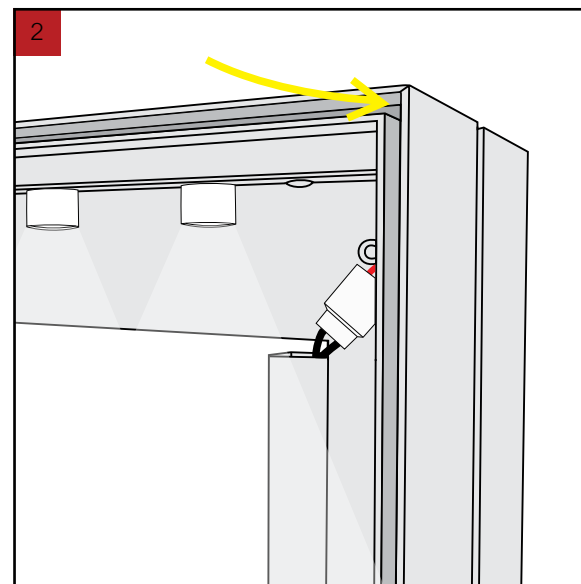
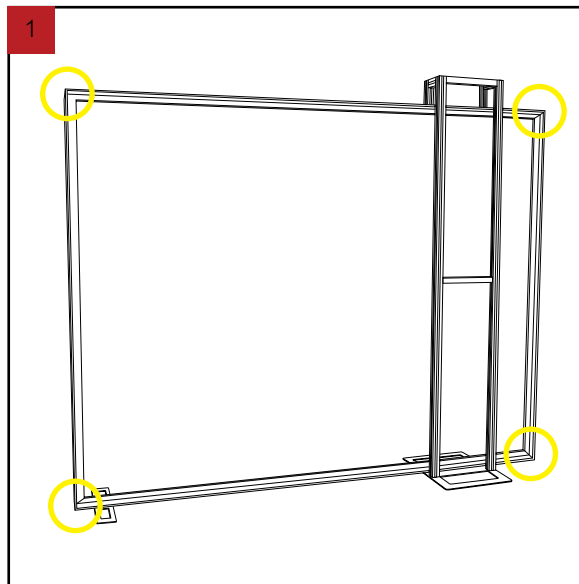
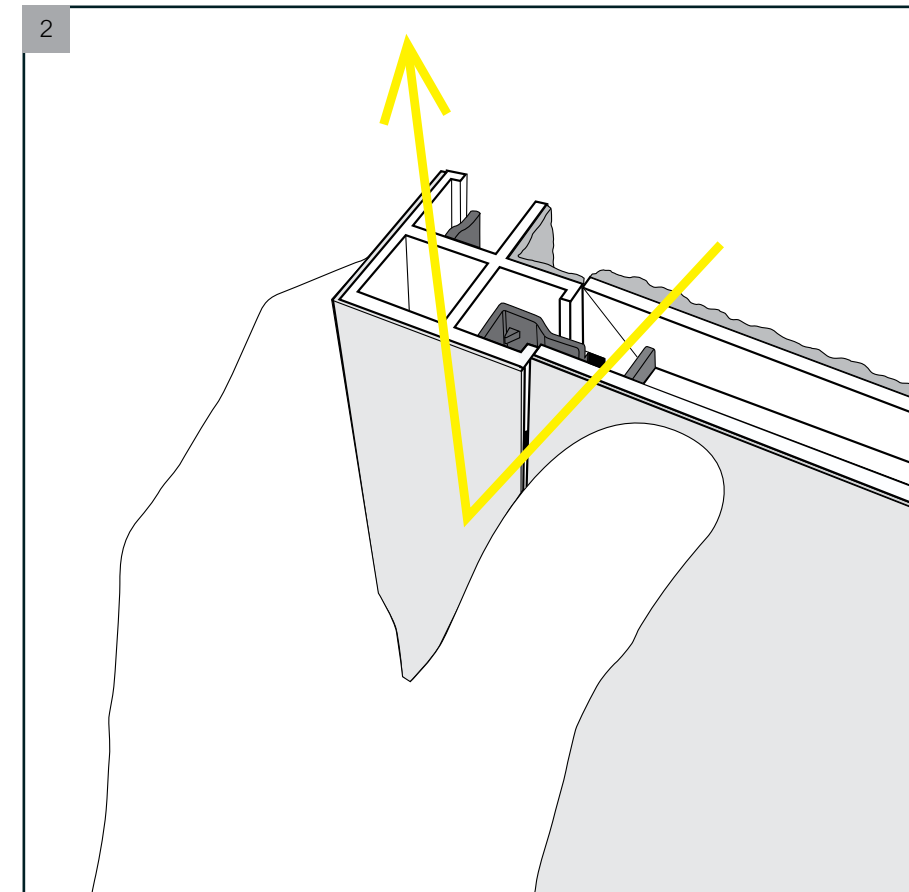
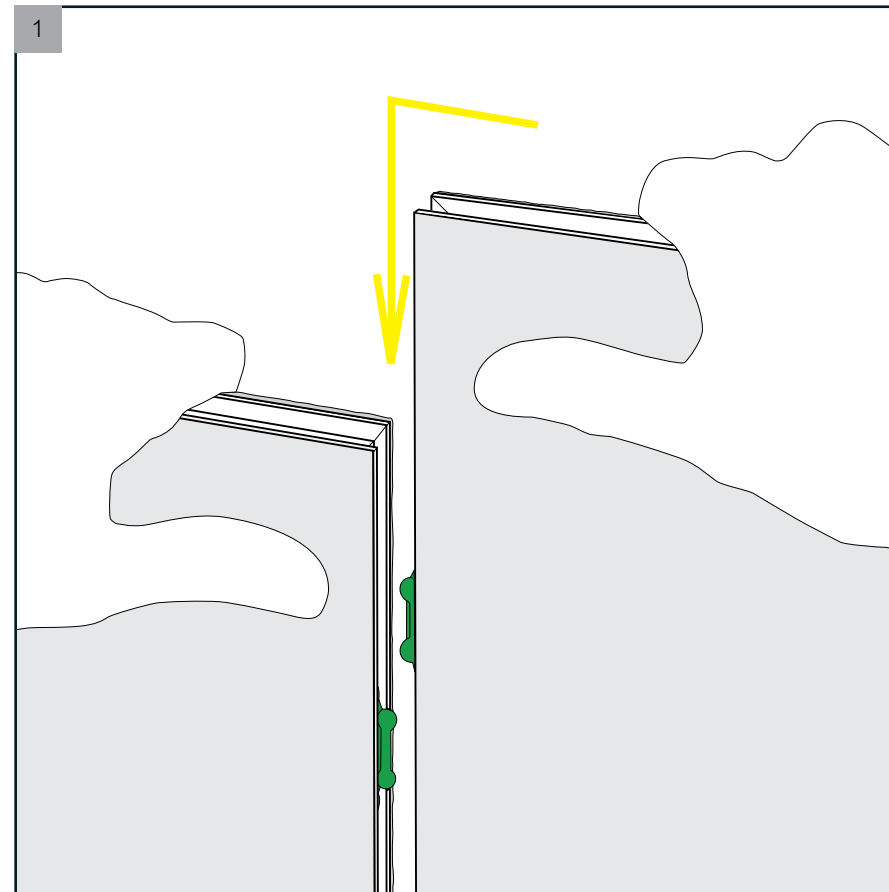
Baseplate Connection for Vertical Extrusions

ECO Panel Install

- 1 Place ECO panel together with a vertical offset, slide down to lock connector in place.
- 2 Panel Corner Connectors are installed just like ECO panels. Remove by off-setting top lock clips horizontally followed by separating vertically.

SEG Graphic Install

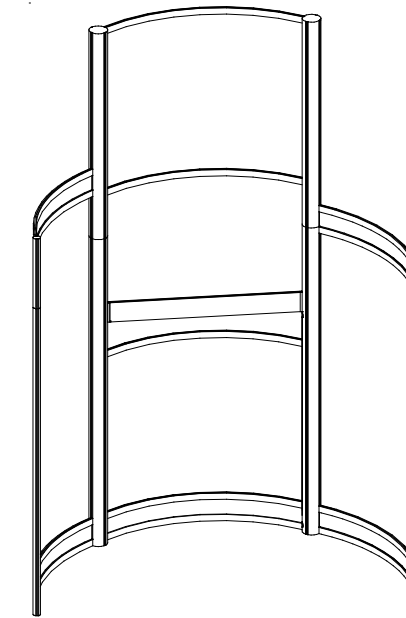
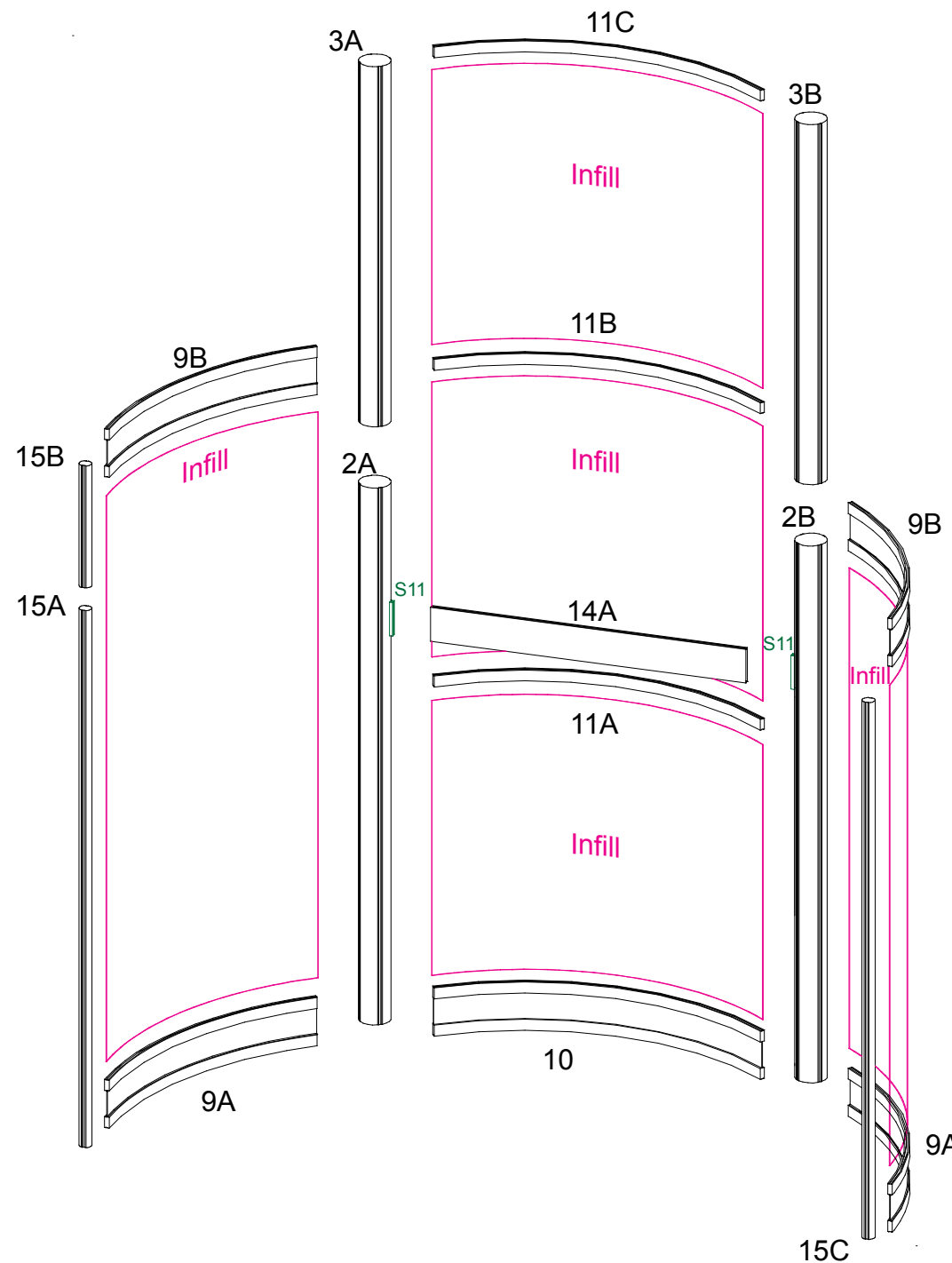
- 1 Graphic is installed corners first. This allows a proportional fit around the perimeter of the extrusion.
- 2 Locate channels along the edge of the extrusions.
- 3 Fold over graphic (hiding threads) and tuck silicon edge and fabric into corners.
- 4 After corners are complete, slide in the rest of the graphic into channel. (From edges to center)
- 5 Graphic is installed. Stand back and be amazed!



| Item | Qty. | Description |
|-------------|-------|---|
| 2A/2B | 1/1 | 88"h RR125/8 Vertical Extrusion w/ attached S11 |
| 3A/3B | 1/1 | 59"h RR125/8 Vertical Extrusion |
| 9A/9B | 2 | 46.57" Z245 Curved Extrusion |
| 10 | 1 | 56.5" Z140 Curved Extrusion |
| 11A/11B/11C | 1/1/1 | 56.5" Z45 Curved Horizontal Extrusion |
| 14A | 1 | 50"w Z140 Horizontal Extrusion |
| 15A | 1 | 88.25"h RSG521 Vertical Extrusion |
| 15B | 1 | 20"h RSG521 Vertical Extrusion |
| 15C | 1 | 94.25"h RSG521 Vertical Extrusion |

Steps:

- 1) Connect verticals [2A-3A], [2B-3B], [15A-15B] together.
- 2) Attach horizontals [10,11A,11B,11C] between vertical assemblies [2A/3A], [2B/3B], inserting **infills** as shown.
- 3) Connect lower horizontals [9A] between vertical assemblies [2A/3A], [15A/15B] and between [2B/3B] & [15C]; slide **infills** between verticals & secure with upper horizontals [9B].
- 4) Attach horizontal [14A] to S11 extrusions on verticals [2A] & [2B].

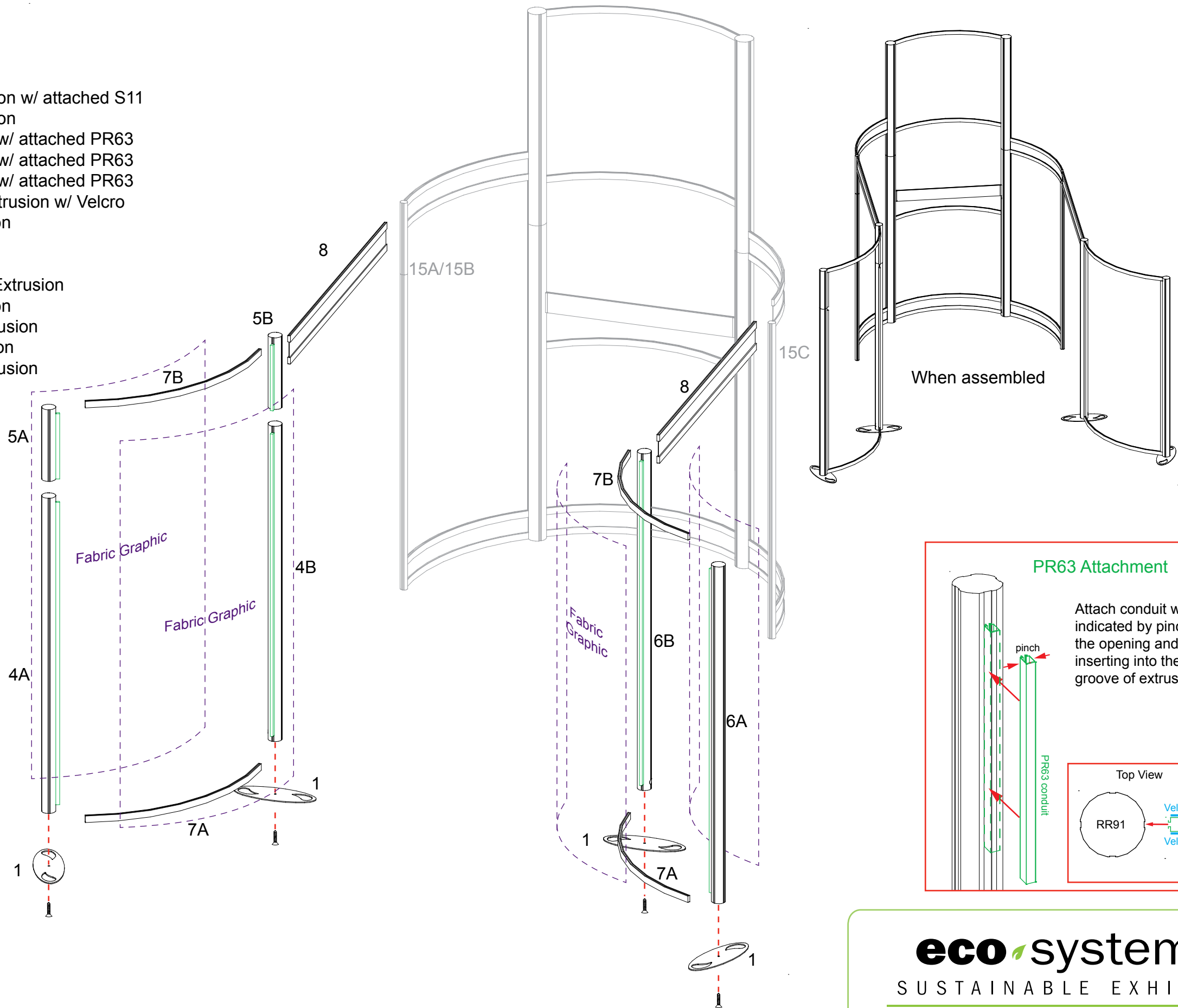


When assembled

| Item | Qty. | Description |
|-------------|-------|--|
| 1 | 4 | Base Plate |
| 2A/2B | 1/1 | 88" h RR125/8 Vertical Extrusion w/ attached S11 |
| 3A/3B | 1/1 | 59" h RR125/8 Vertical Extrusion |
| 4A/4B | 1/1 | 88" h RR91 Vertical Extrusion w/ attached PR63 |
| 5A/5B | 1/1 | 20" h RR91 Vertical Extrusion w/ attached PR63 |
| 6A/6B | 1/1 | 94" h RR91 Vertical Extrusion w/ attached PR63 |
| 7A/7B | 2/2 | 60" Z45 Curved Horizontal Extrusion w/ Velcro |
| 8 | 2 | 80" w Z245 Horizontal Extrusion |
| 9A/9B | 2 | 46.57" Z245 Curved Extrusion |
| 10 | 1 | 56.5" Z140 Curved Extrusion |
| 11A/11B/11C | 1/1/1 | 56.5" Z45 Curved Horizontal Extrusion |
| 14A | 1 | 50" w Z140 Horizontal Extrusion |
| 15A | 1 | 88.25" h RSG521 Vertical Extrusion |
| 15B | 1 | 20" h RSG521 Vertical Extrusion |
| 15C | 1 | 94.25" h RSG521 Vertical Extrusion |

Steps:

- 1) Install Base Plates [1] to bottom of verticals [4A], [4B], [6A], [6B].
- 2) Connect verticals [4A-5A], [4B-5B] together.
- 3) Connect horizontals [7A,7B] between verticals [4A/5A] & [4B/5B], and between verticals [6A,6B].
- 4) Attach left assembly [1/4A/4B/5A/5B/7A/7B] & right assembly [1/6A/6B/7A/7B] to back wall verticals [15A/15B], [15C], using horizontals [8] as shown.
- 5) Apply fabric graphics to front & back of frame assemblies as shown, using Velcro.



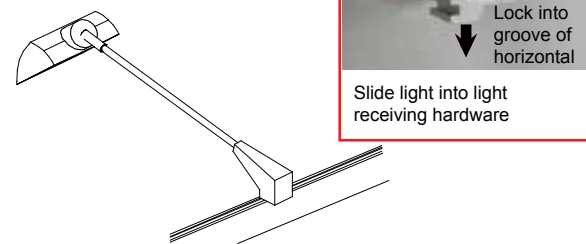
| Item | Qty. | Description |
|------|------|--|
| 16A | 1 | 12”h Z140 Vertical Extrusion w/ attached Z45 |
| 16B | 1 | 12”h Z140 Vertical Extrusion |
| -- | 2 | 4” Standoffs |

Steps:

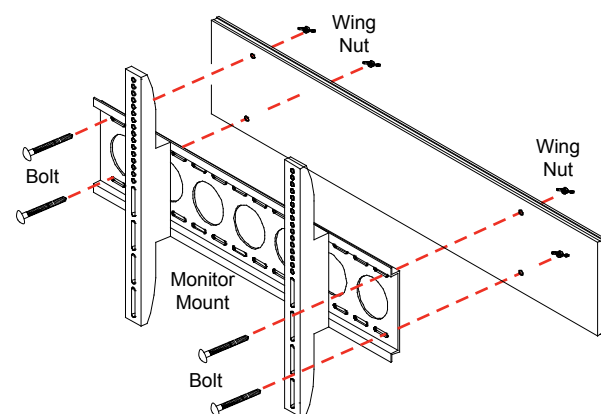
- 1) Install Circular Header Graphic to upper infill, using extrusions [16A,16B] & standoffs. See **Header Connection** detail.
- 2) Attach Lights to assembly. See **Light Attachment** detail.
- 3) Connect Monitor Mount to horizontal [14A]. See **Monitor Mount Attachment** detail.

*** Light Attachment**

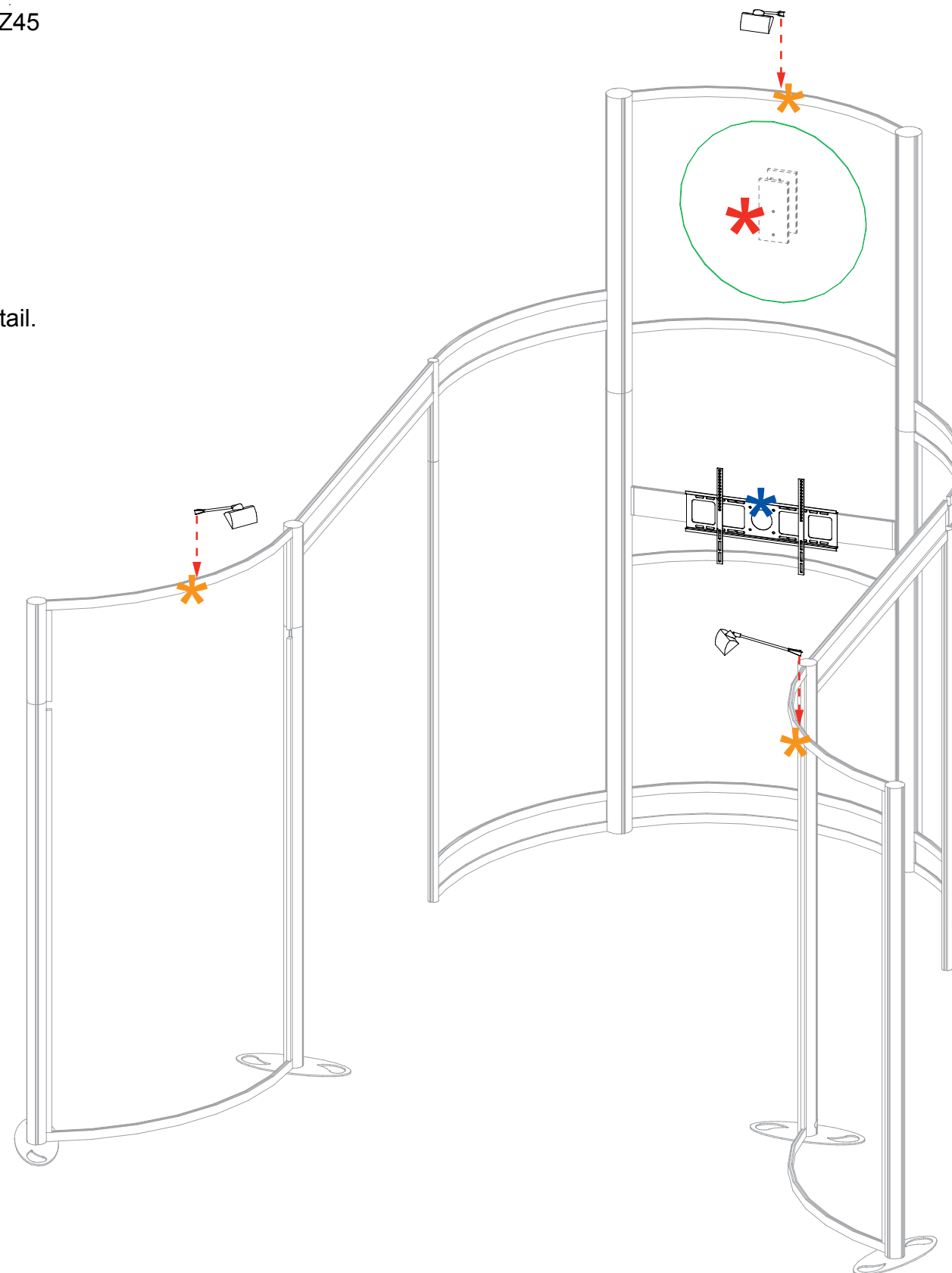
Lock Clip into Groove of Horizontal Extrusion, then slide Light onto Clip.



*** Monitor Mount Attachment**

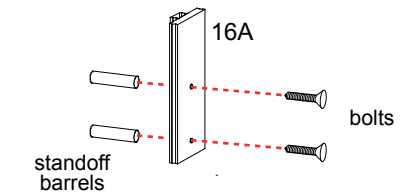


Attach monitor mount to horizontal extrusion using bolts and wing nuts.

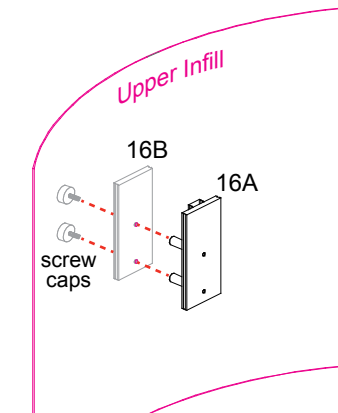


*** Header Connection**

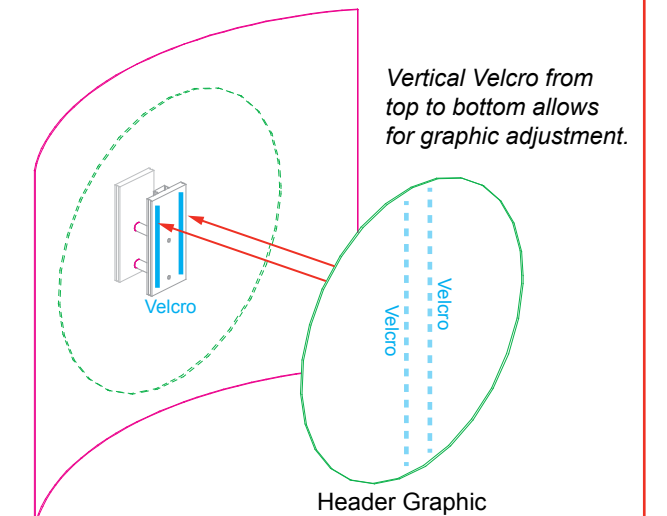
1. Attach Standoff Barrels to extrusion [16A], using bolts.



2. Then connect Standoff Barrels to extrusion [16B] through the upper infill, securing with screw caps on back side.



3. Attach Header Graphic to extrusion [16A], using Velcro.



Steps:
1) For wire management, run cords through holes in extrusions to power source, as shown.

