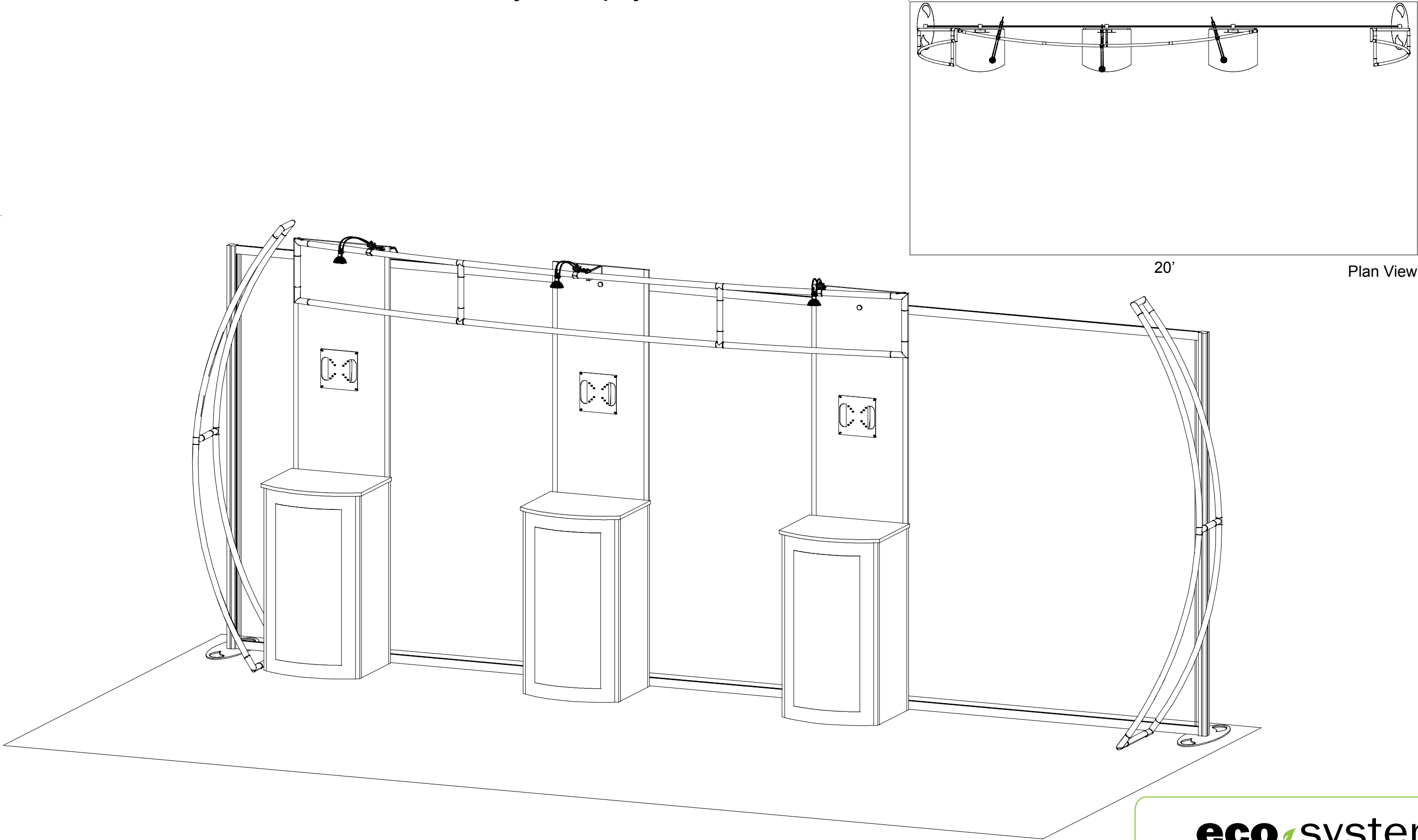


Order #XXXXX - ECO-2010 - 10'x20' Sustainable Hybrid Display



General Setup Instructions

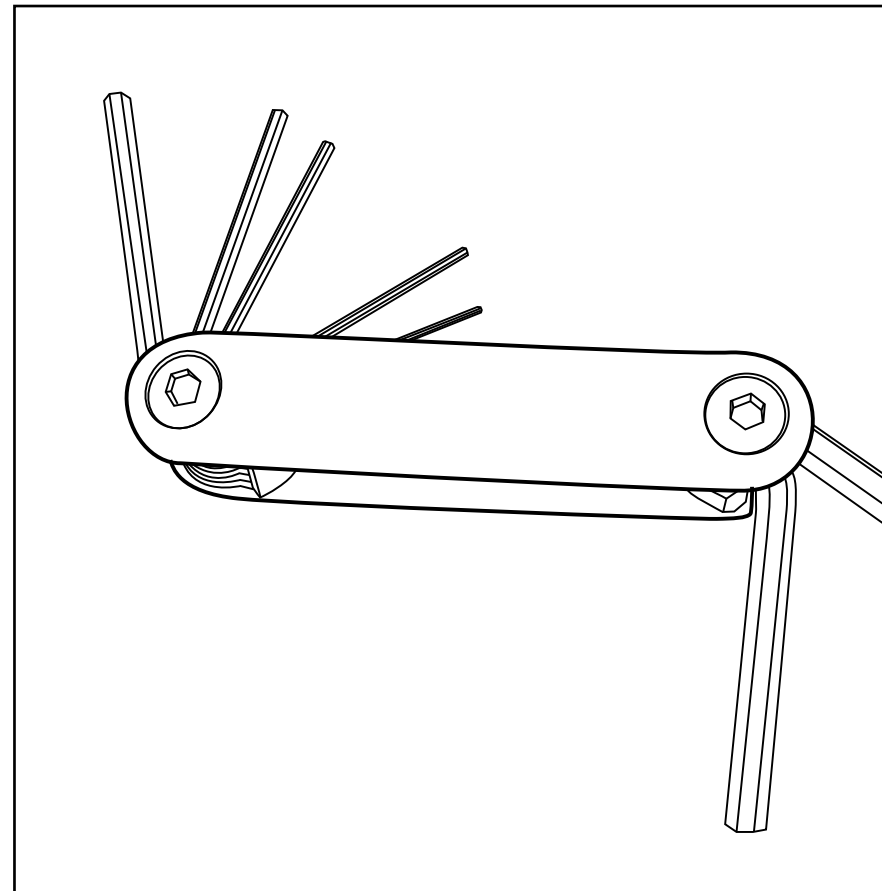
- The setup instructions are created specifically for your configuration.
- Setup instructions are laid out sequentially in levels, including exploded views and a logical series of steps for assembly. We encourage you to study the instructions before attempting to assemble your exhibit.

Cleaning and Packing

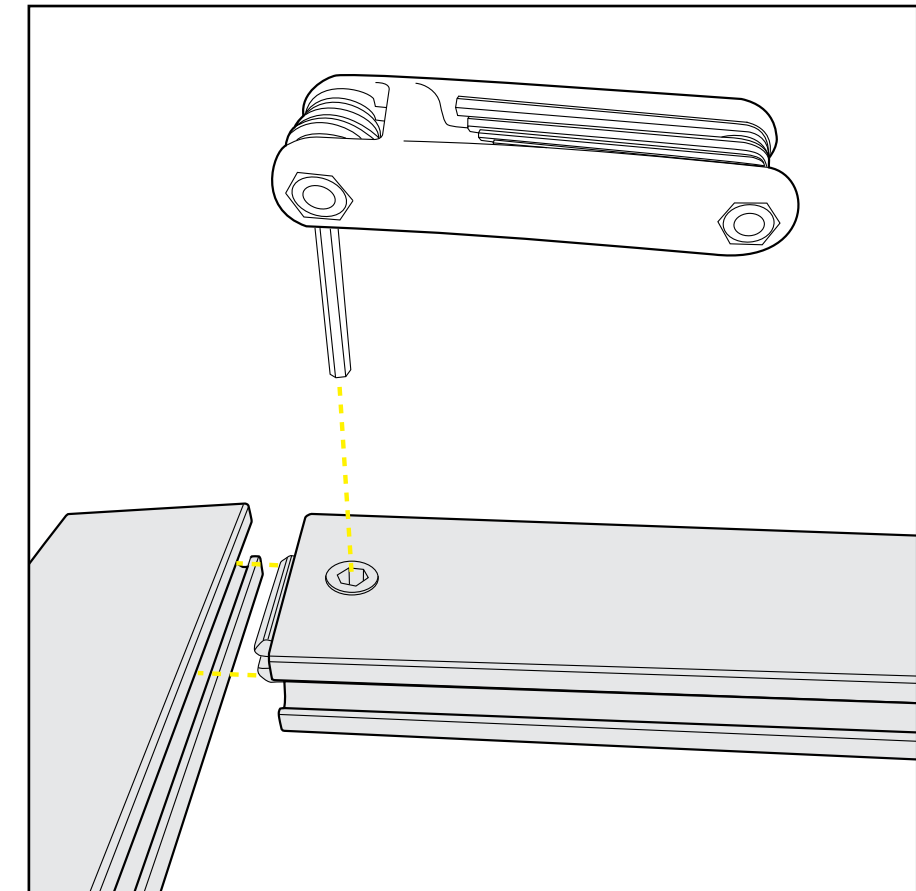
- Use non-abrasive cleaners when cleaning extrusions or ECO Glass inserts.
- Use mild cleaners and soft materials such as cotton to clean all laminates.
- Keep exhibit components away from extreme heat and long exposure to sun light. This will prevent warping and fading.
- Retain all packing material for ease of re-packing. This protects the exhibit components and keeps each part organized.

Disassembling

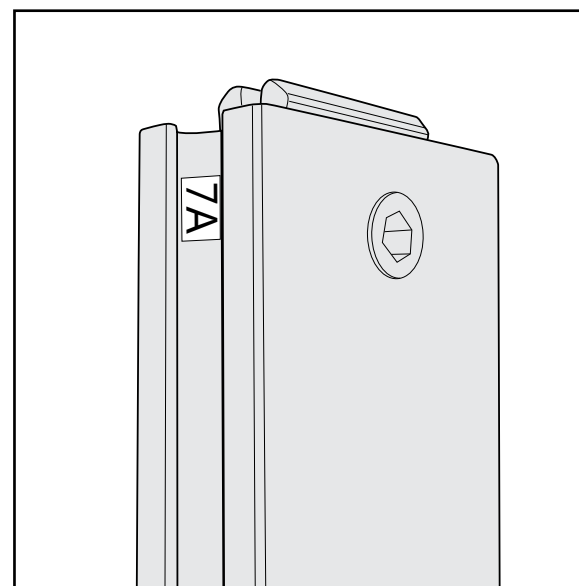
- When disassembling exhibit, tighten all setscrews to prevent loss of hardware in the shipping process.



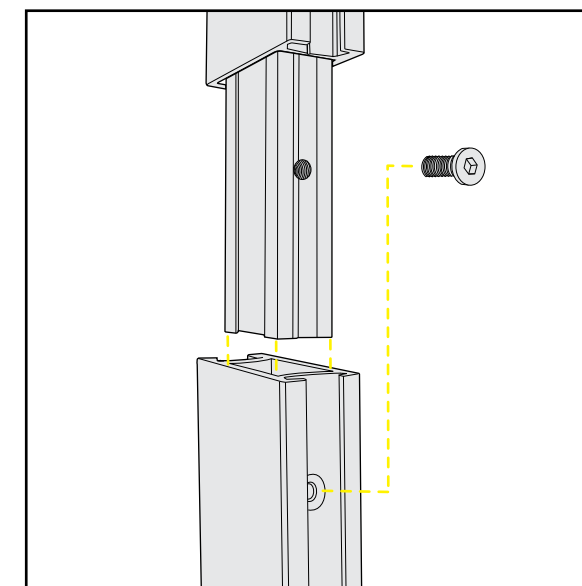
Hex Tool for Assembling Exhibit



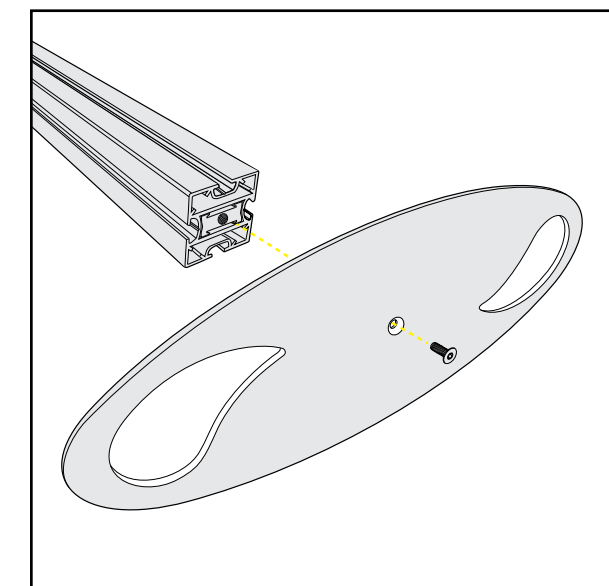
Extrusion Lock Connectors



Numbering Instructions for Setups/Packing



Inline Connection between Extrusions



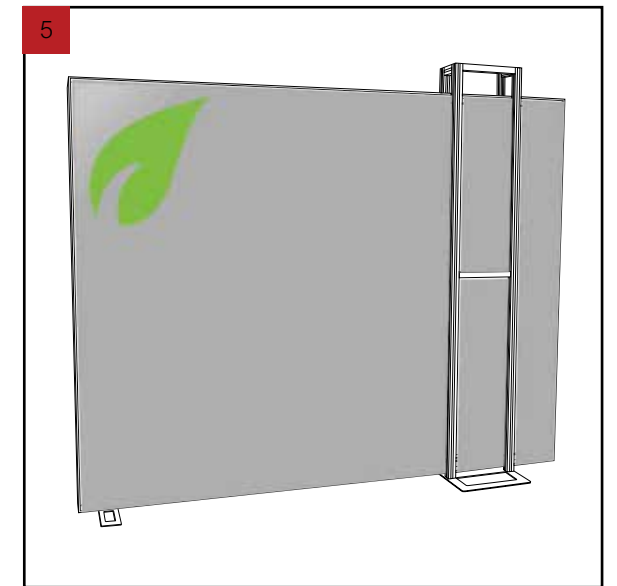
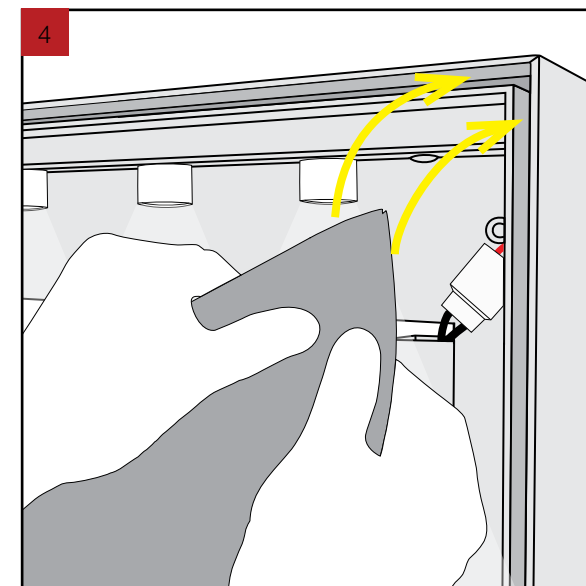
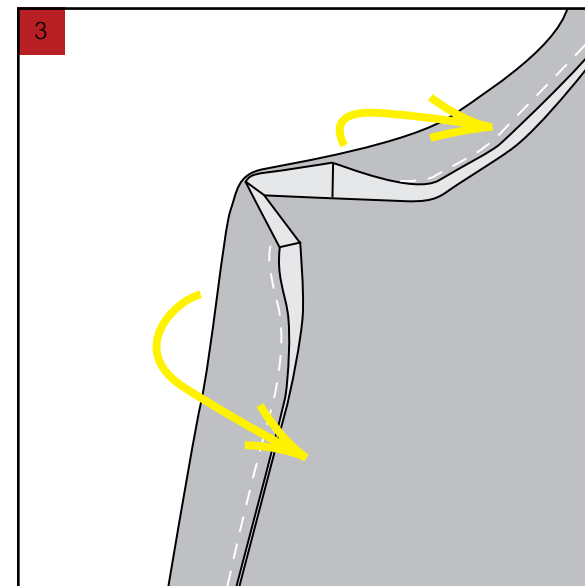
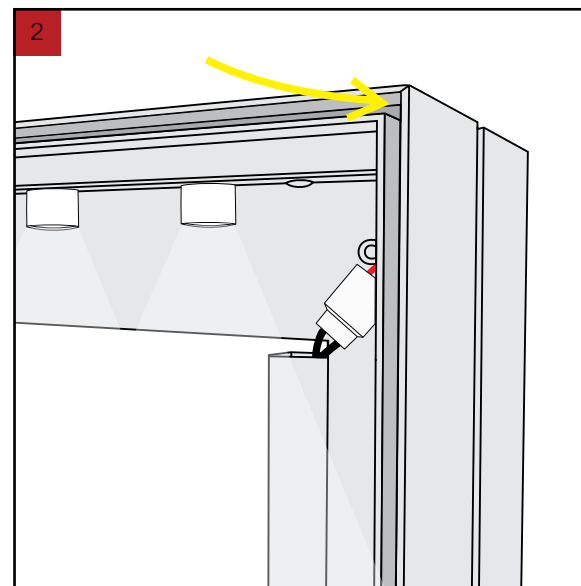
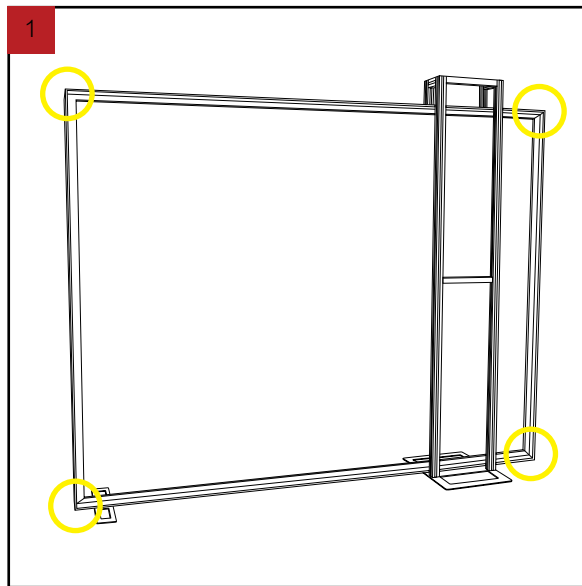
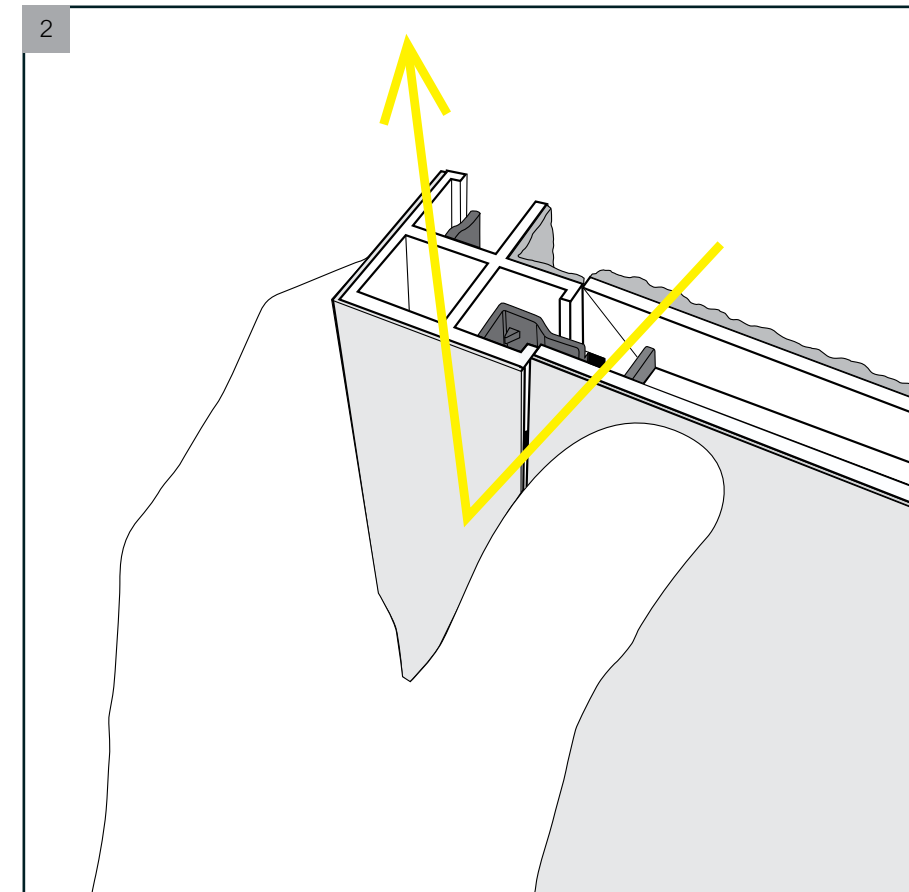
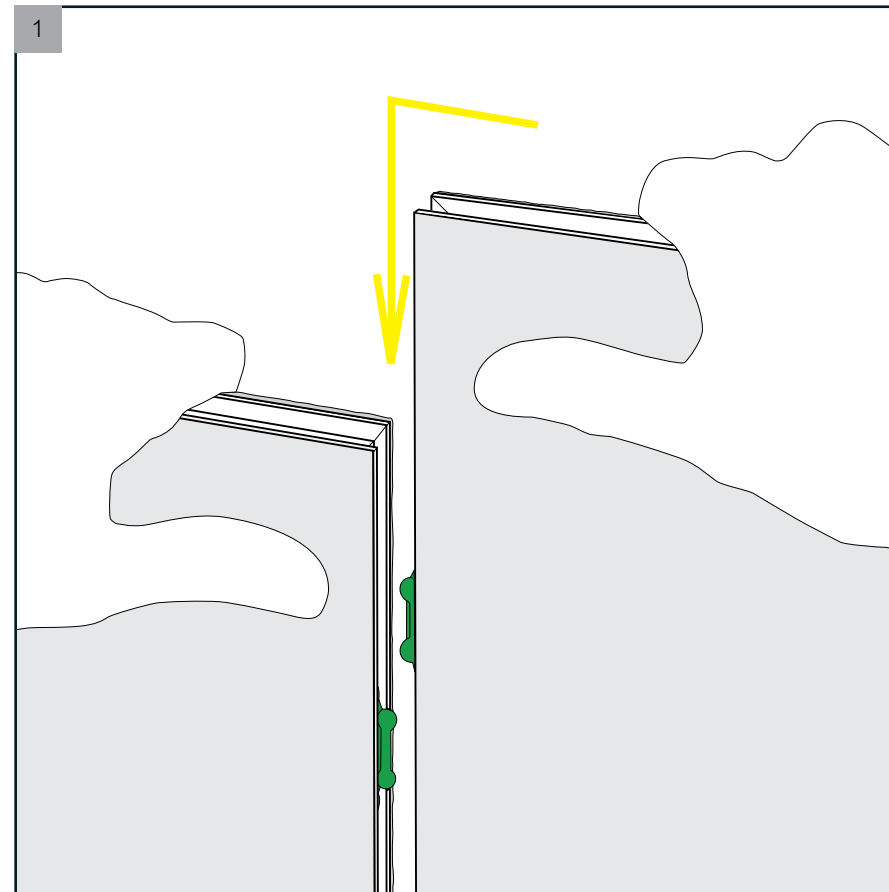
Baseplate Connection for Vertical Extrusions

ECO Panel Install

- 1 Place ECO panel together with a vertical offset, slide down to lock connector in place.
- 2 Panel Corner Connectors are installed just like ECO panels. Remove by off-setting top lock clips horizontally followed by separating vertically.

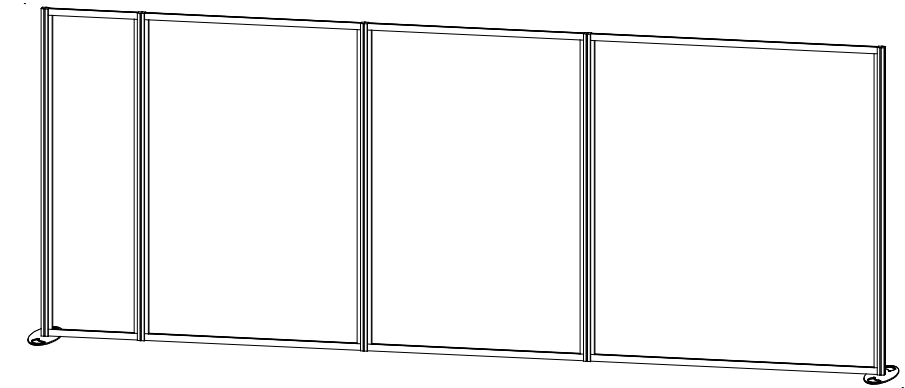
SEG Graphic Install

- 1 Graphic is installed corners first. This allows a proportional fit around the perimeter of the extrusion.
- 2 Locate channels along the edge of the extrusions.
- 3 Fold over graphic (hiding threads) and tuck silicon edge and fabric into corners.
- 4 After corners are complete, slide in the rest of the graphic into channel. (From edges to center)
- 5 Graphic is installed. Stand back and be amazed!

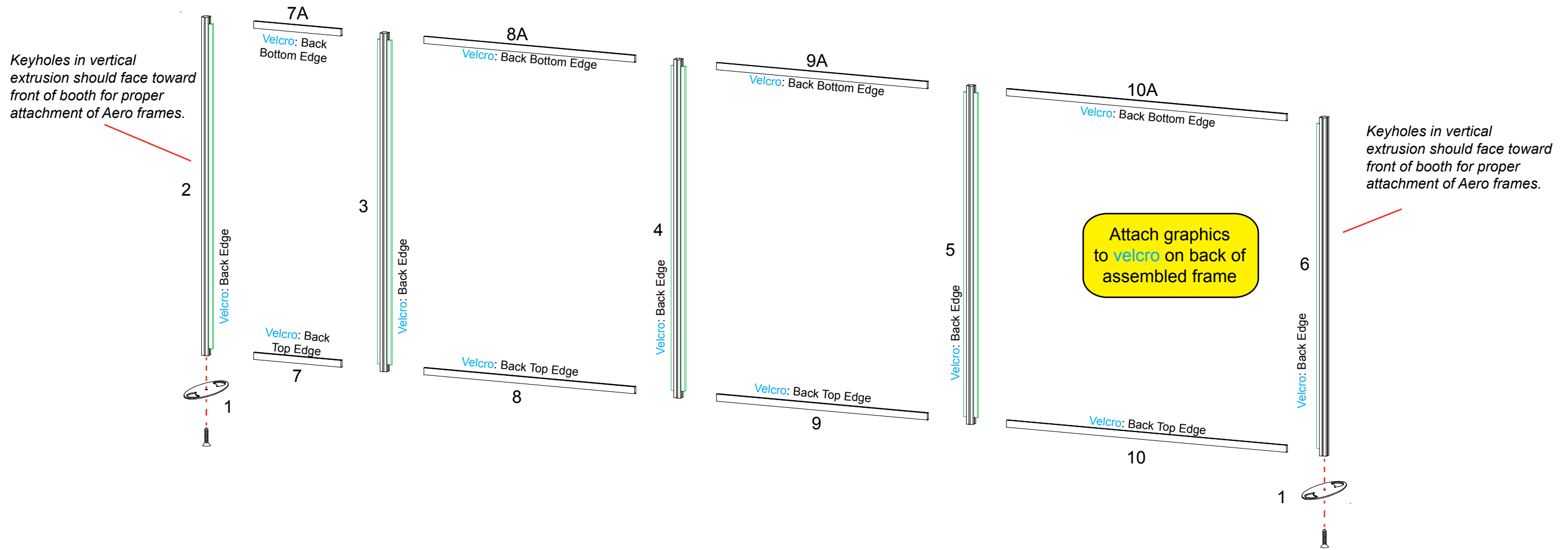


Item	Qty.	Description
1	1	Base Plates
2	1	87.75”h S44 Vertical Extrusion w/ PR63
3	1	88”h S44 Vertical Extrusion w/ PR63
4	1	88”h S44 Vertical Extrusion w/ PR63
5	1	88”h S44 Vertical Extrusion w/ PR63
6	1	87.75”h S44 Vertical Extrusion w/ PR63
7/7A	1/1	24”w Z45 Horizontal Extrusion
8/8A	1/1	58”w Z45 Horizontal Extrusion
9/9A	1/1	58”w Z45 Horizontal Extrusion
10/10A	1/1	77”w Z45 Horizontal Extrusion

- Steps:
- 1) Connect Base Plates [1] to bottom of verticals [2,6] using bolts.
 - 2) Connect horizontals [7,7A,8,8A,9,9A,10,10A] between verticals as shown.
 - 3) Attach fabric graphics to back of display using Velcro.

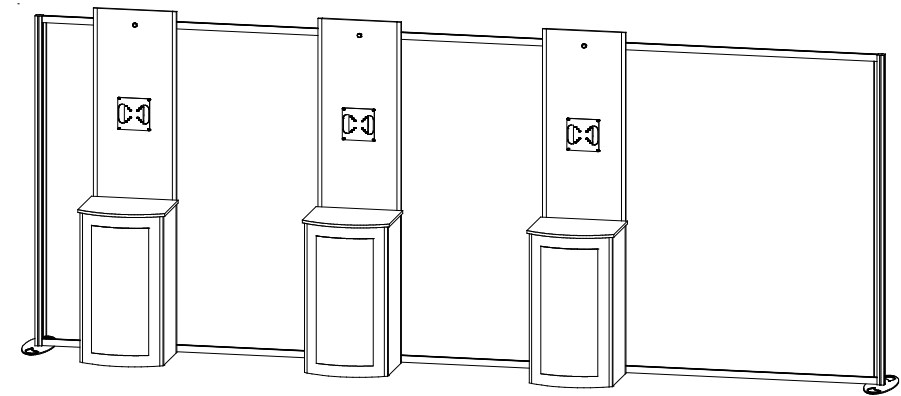


When assembled

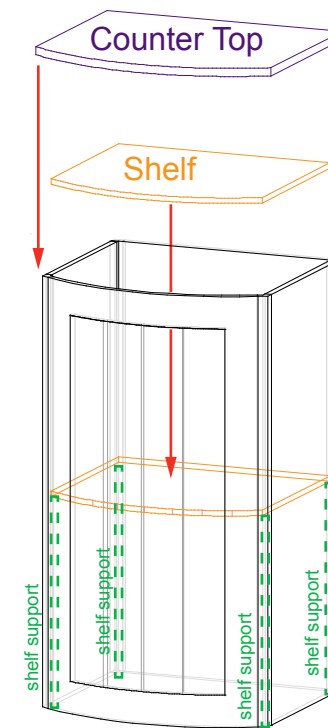
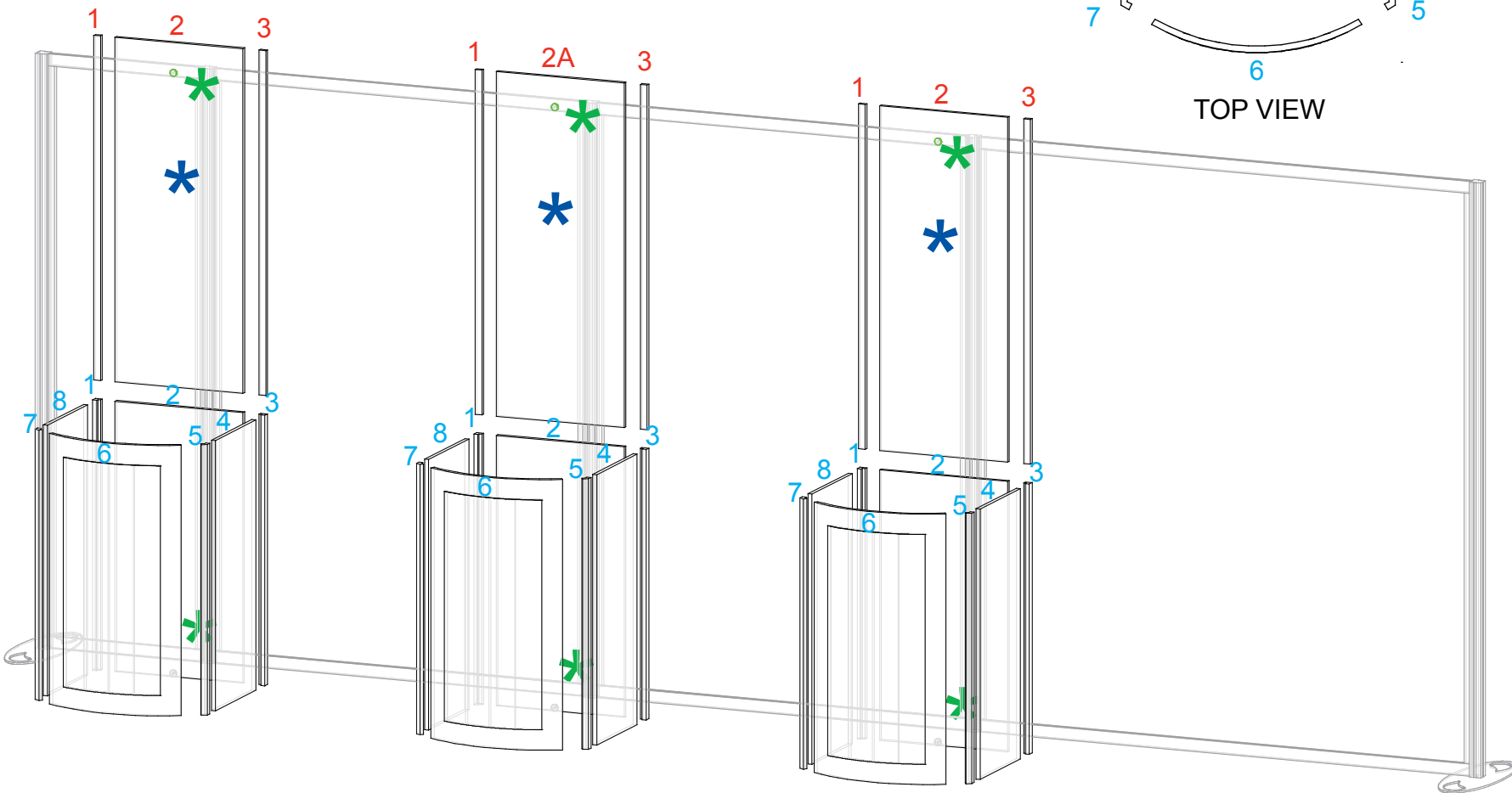
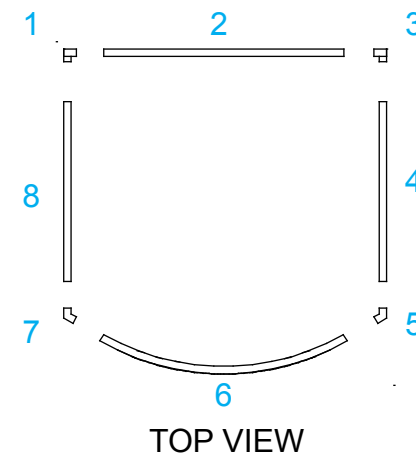


Item	Qty.	Description
1	3	40”h 90° Connector
2	3	20”w x 40”h Eco Panel
3	3	40”h 90° Connector
4	3	15”w x 40”h Eco Panel
5	3	40”h 120° Connector
6	3	21.57”w x 40”h curved Eco Panel w/ Door
7	3	40”h 120° Connector
8	3	15”w x 40”h Eco Panel
1	3	51”h Square Cap Connector
2	2	20”w x 51”h Eco Panel
2A	1	20”w x 51”h Eco Panel w/ attached S11
3	3	51”h Square Cap Connector

- Steps:
- 1) Assemble lower Eco Panels & Connectors [1] through [8] together in numerical order.
 - 2) Assemble upper panels & connectors [1-2-3] and [1-2A-3] to lower panels as shown.
 - 3) Attach cabinet assemblies to backwall verticals, as shown. See [Backwall Connection](#) detail.
 - 4) Affix shelf supports inside cabinet assemblies; place internal [Shelves](#).
 - 5) Place [Counter Tops](#) to top of cabinets.
 - 6) Install Monitor Mount to upper Eco Panel. See [Monitor Mount Attachment](#) detail.



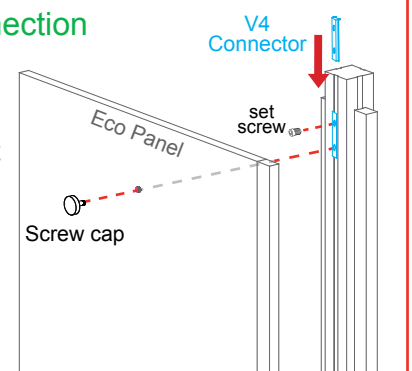
When assembled



*** Backwall Connection**

Slide V4 connectors into groove of vertical extrusion. Tighten set screws to secure.

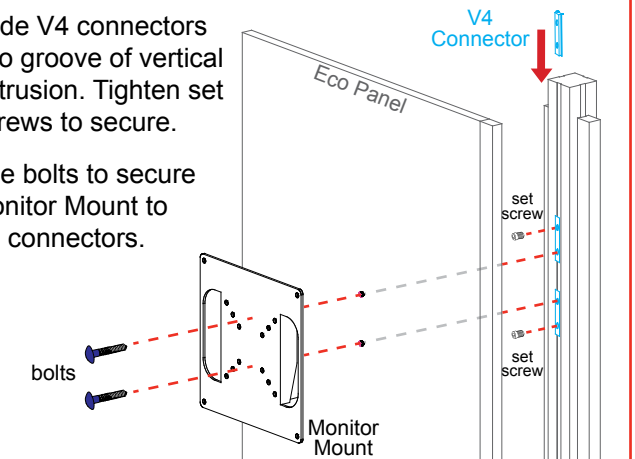
Attach Eco Panel to V4 connector using screw caps.



*** Monitor Mount Attachment**

Slide V4 connectors into groove of vertical extrusion. Tighten set screws to secure.

Use bolts to secure Monitor Mount to V4 connectors.



AERO

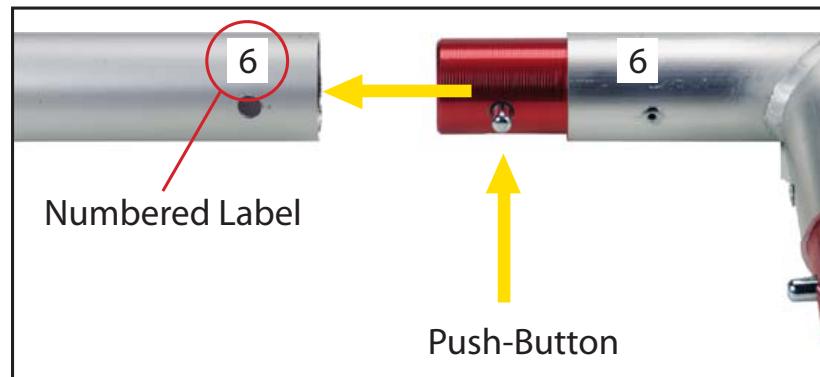
Using Your Setup Instructions

The Aero Overhead Sign Setup Instructions are created specifically for your configuration. They include an exploded view of the frame which is sequentially numbered. We encourage you to study the instructions before attempting to assemble your exhibit.

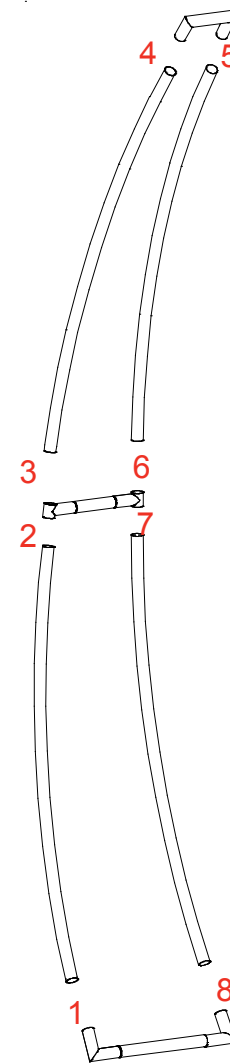
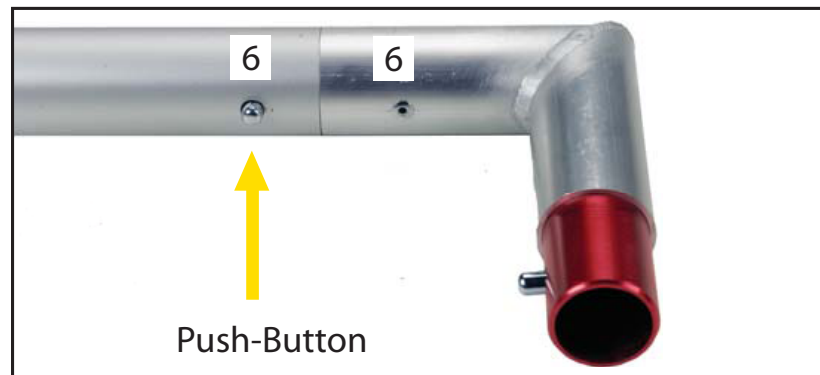
Connections are kept very simple: no tools. Everything assembles with push-button connectors and pre-connected horizontal sections.

Cleaning and Packing Your Display

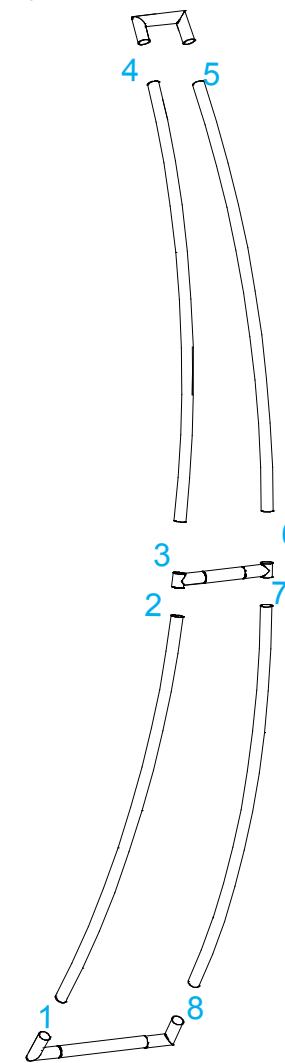
- 1) Use care when cleaning aluminum extrusion or acrylic inserts. Use only non-abrasive cleaners.
- 2) Retain all packing material. It will make re-packing much easier and will reduce the likelihood of shipping damage.



Connections are made by holding the button down and sliding the red tube into opposing tube until the connection is made. To disassemble push button and pull or twist extrusions apart.

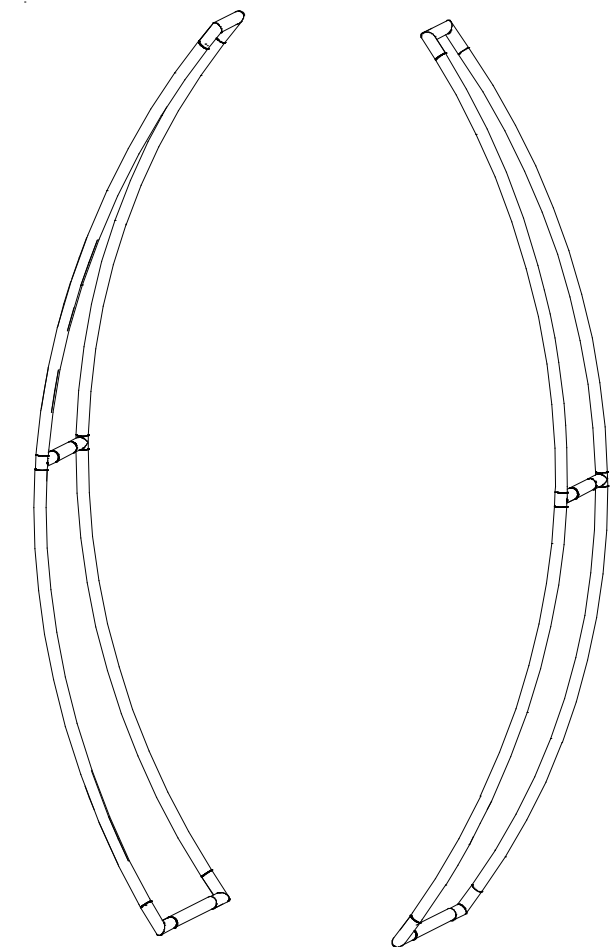


Left Aero Frame



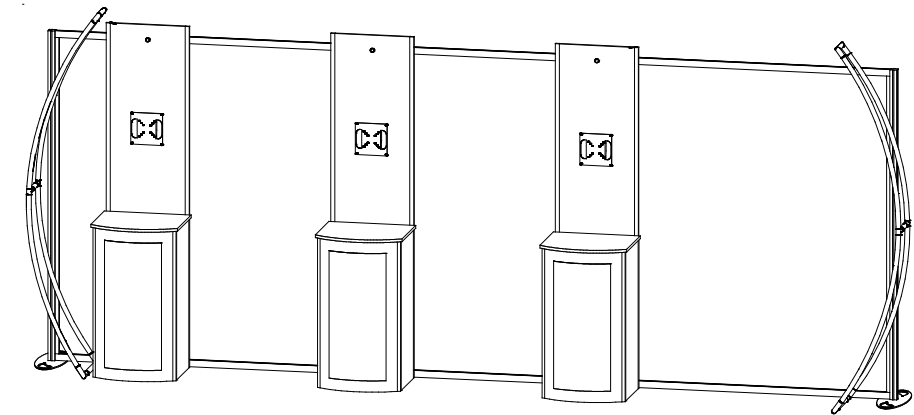
Right Aero Frame

- Steps:
- 1) Assemble Aero Frame parts in numerical order as shown.
 - 2) Apply pillowcase graphic.



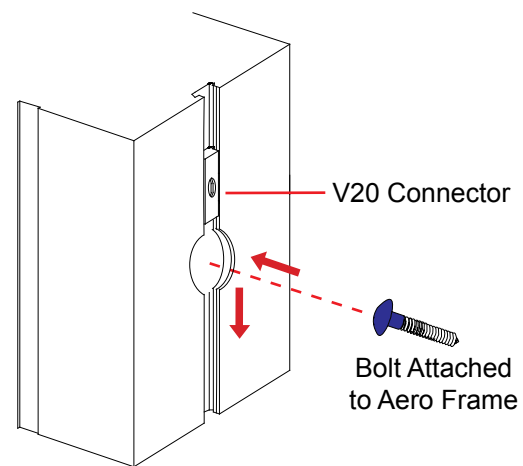
When assembled

- Steps:
 1) Attach left & right Aero frames to backwall verticals.
 See **Aero Frame-to-Vertical Attachment** detail.

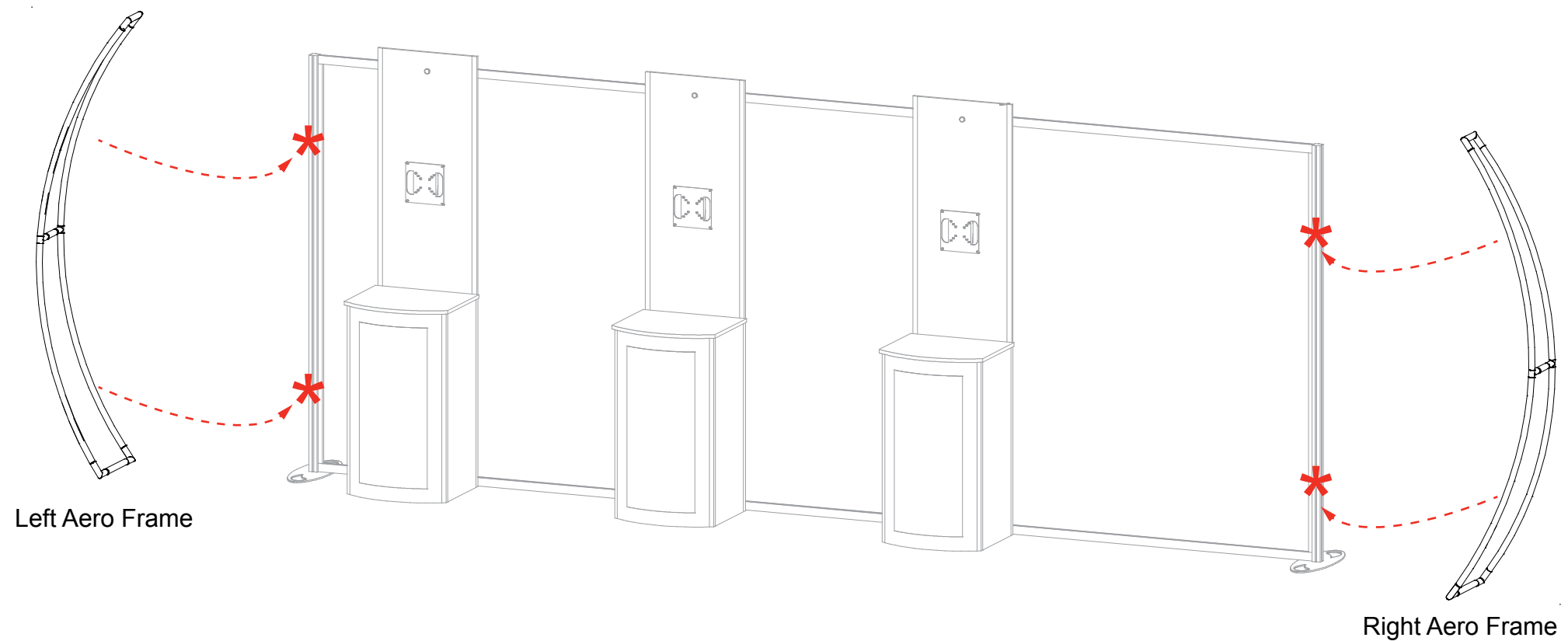
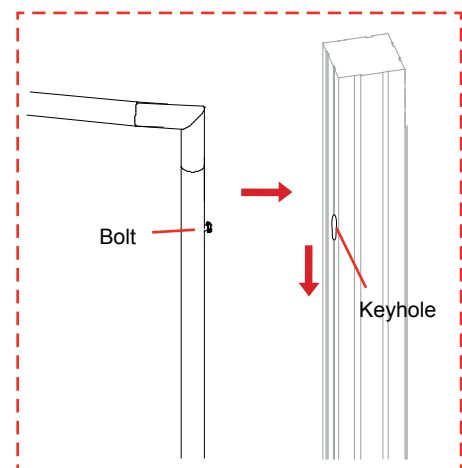


When assembled

*** Aero Frame-to-Vertical Attachment**



Insert bolts of aero frame into keyhole slot in groove of vertical extrusion, slide aero frame down to secure.





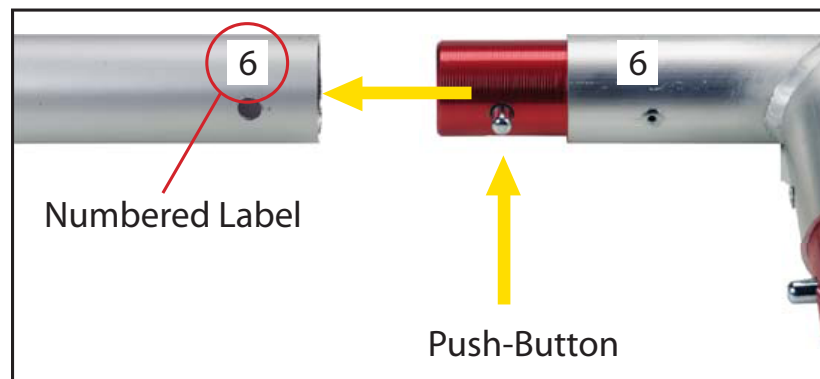
Using Your Setup Instructions

The Aero Overhead Sign Setup Instructions are created specifically for your configuration. They include an exploded view of the frame which is sequentially numbered. We encourage you to study the instructions before attempting to assemble your exhibit.

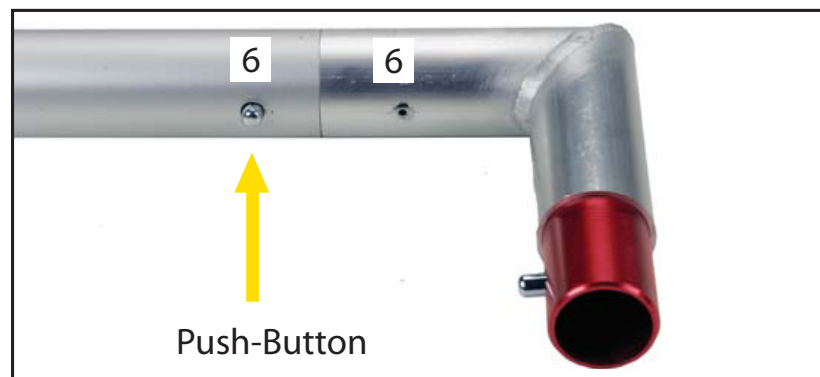
Connections are kept very simple: no tools. Everything assembles with push-button connectors and pre-connected horizontal sections.

Cleaning and Packing Your Display

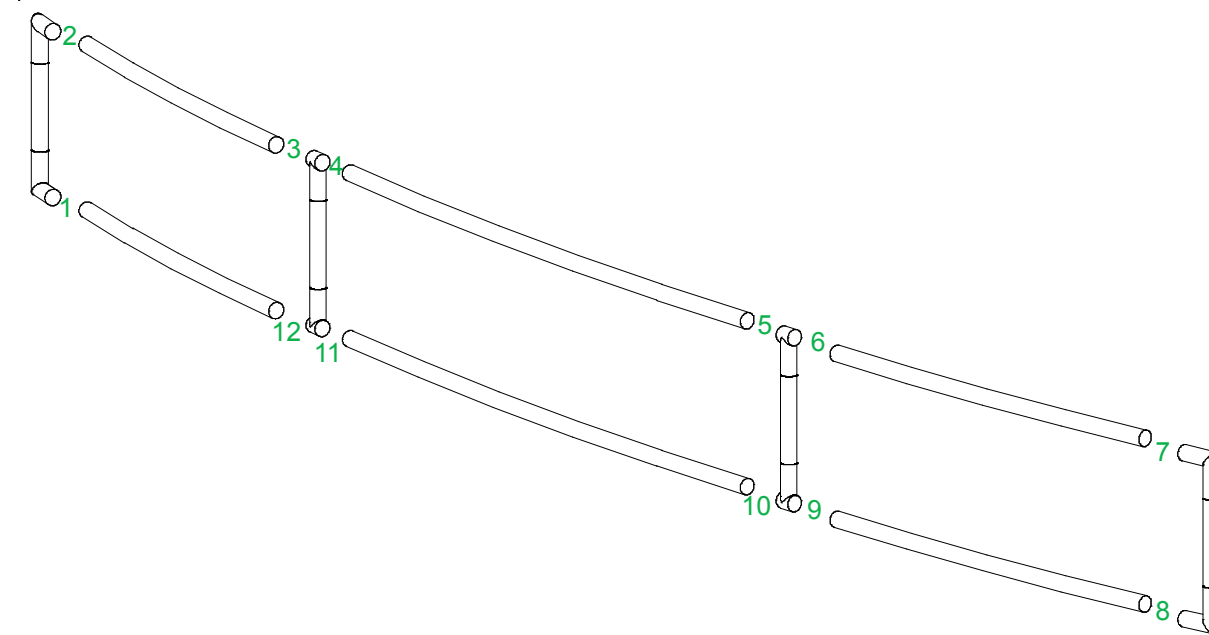
- 1) Use care when cleaning aluminum extrusion or acrylic inserts. Use only non-abrasive cleaners.
- 2) Retain all packing material. It will make re-packing much easier and will reduce the likelihood of shipping damage.



Connections are made by holding the button down and sliding the red tube into opposing tube until the connection is made. To disassemble push button and pull or twist extrusions apart.

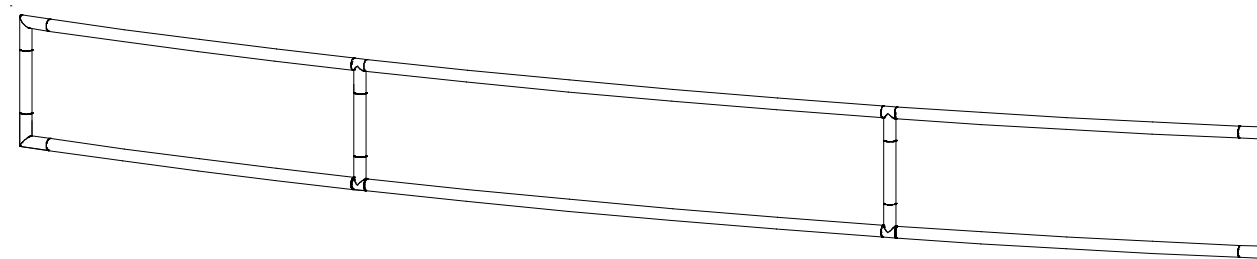


FOR 10'x20' BOOTH CONFIGURATION:



Steps:

- 1) Assemble Aero Frame parts in numerical order as shown.
- 2) Apply pillowcase graphic.

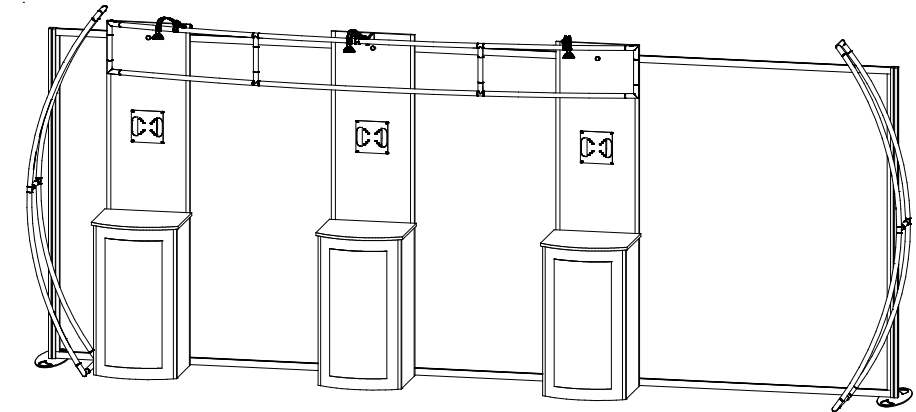
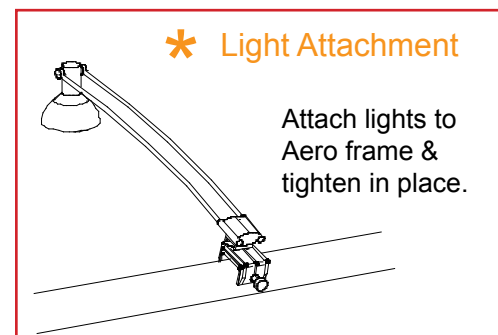


When assembled

Item	Qty.	Description
11	1	6.5"w Z45 Horizontal Extrusion

Steps:

- 1) Attach left & right Aero frames to backwall verticals using clips. See **Aero Clip Connection** detail.
- 2) Connect Horizontal [11] to S10 on backwall panel; then attach clip to hole in extrusion. See **Aero Connection to Middle Panel** detail.
- 3) Clip **Lights** onto Aero frame where desired.



When assembled

