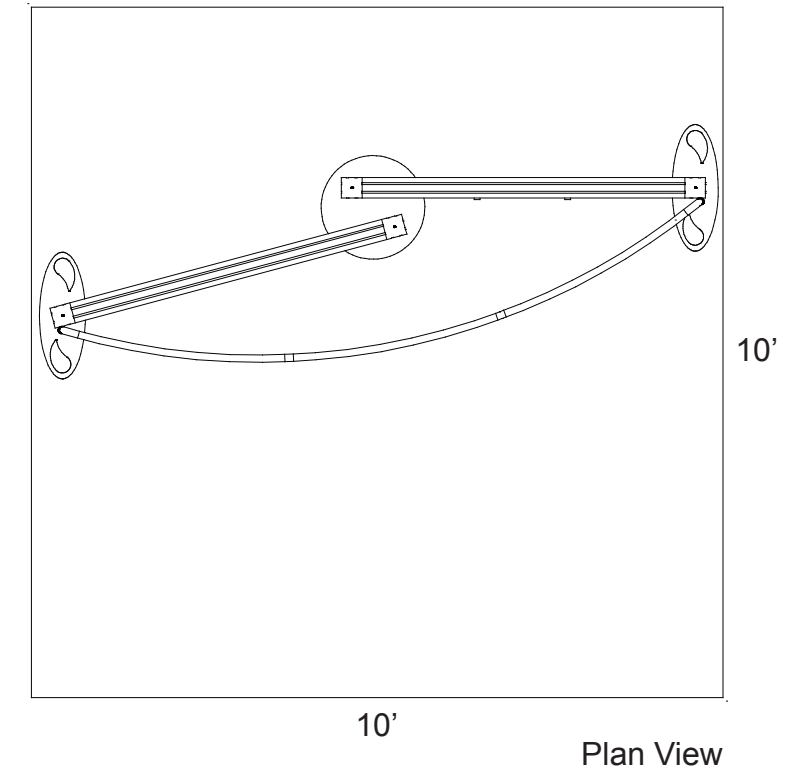
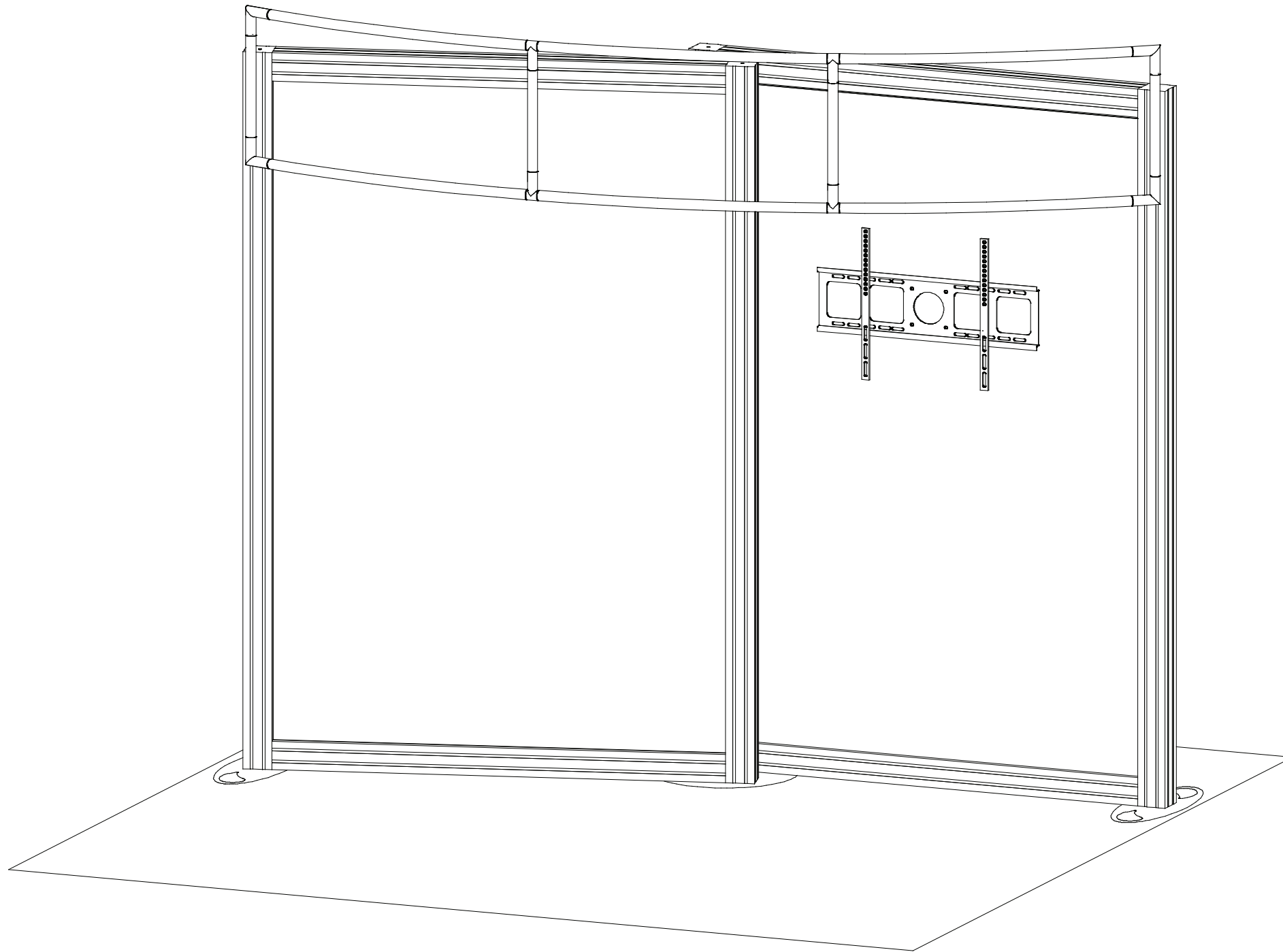


Order #XXXXX - ECO-1054 - 10'x10' Inline Display



## General Setup Instructions

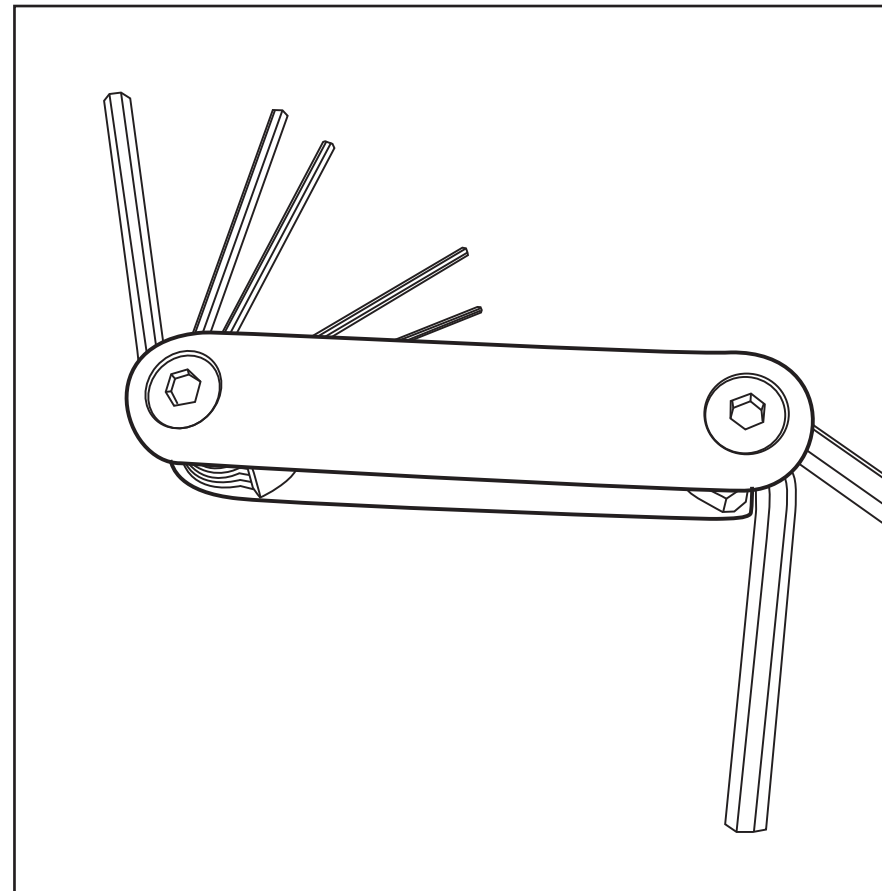
- The setup instructions are created specifically for your configuration.
- Setup instructions are laid out sequentially in levels, including exploded views and a logical series of steps for assembly. We encourage you to study the instructions before attempting to assemble your exhibit.

## Cleaning and Packing

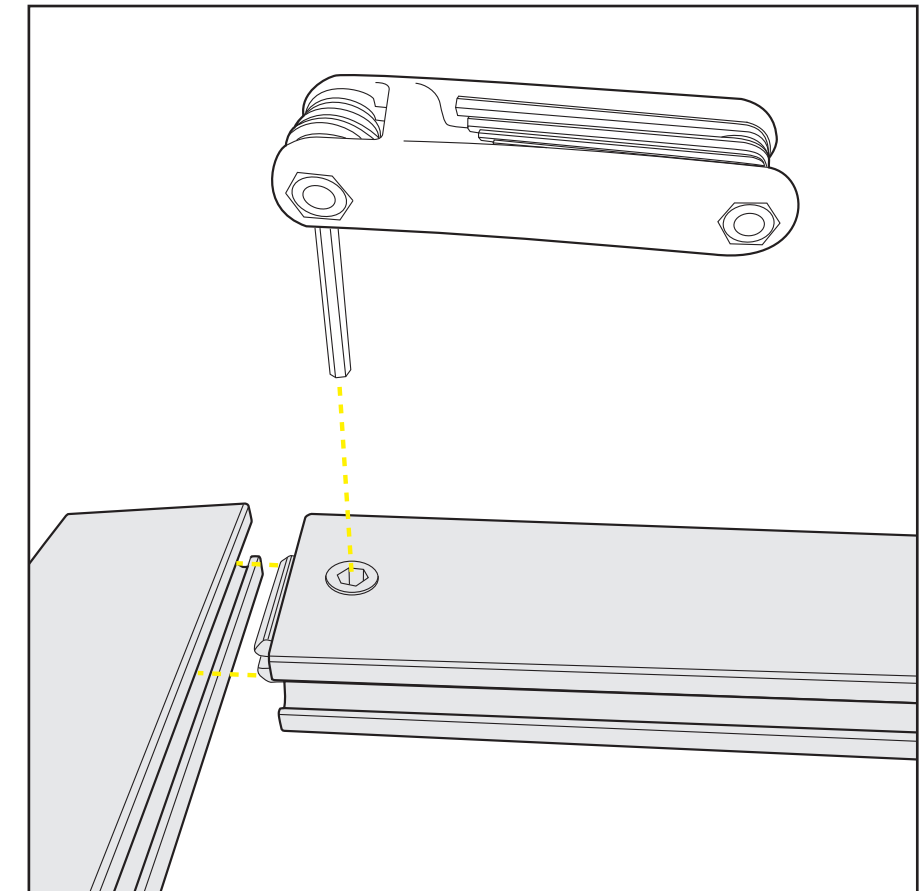
- Use non-abrasive cleaners when cleaning extrusions or ECO Glass inserts.
- Use mild cleaners and soft materials such as cotton to clean all laminates.
- Keep exhibit components away from extreme heat and long exposure to sun light. This will prevent warping and fading.
- Retain all packing material for ease of re-packing. This protects the exhibit components and keeps each part organized.

## Disassembling

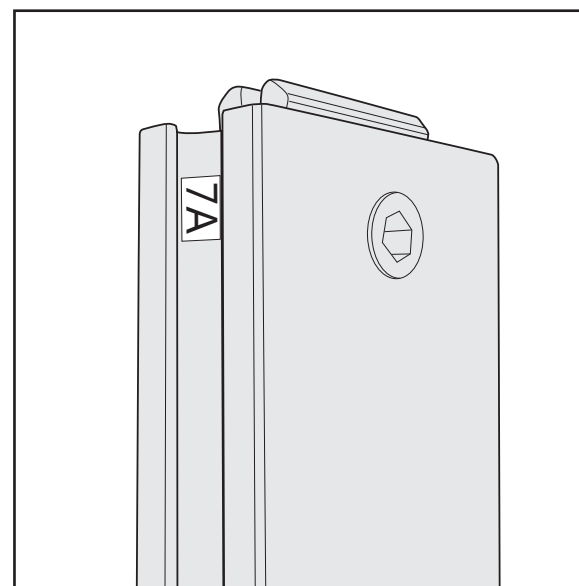
- When disassembling exhibit, tighten all setscrews to prevent loss of hardware in the shipping process.



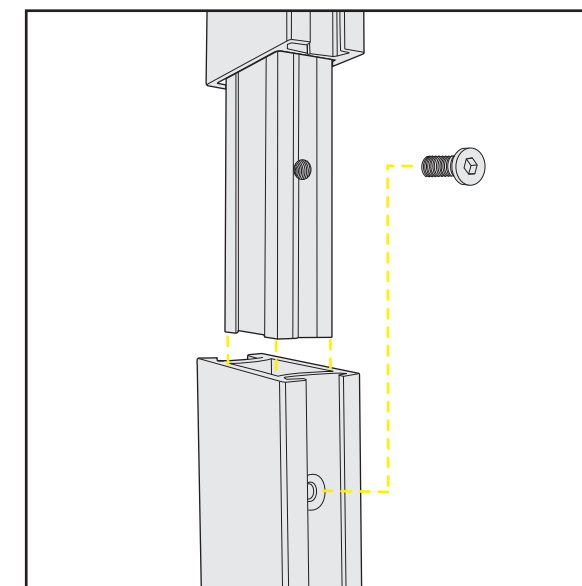
Hex Tool for Assembling Exhibit



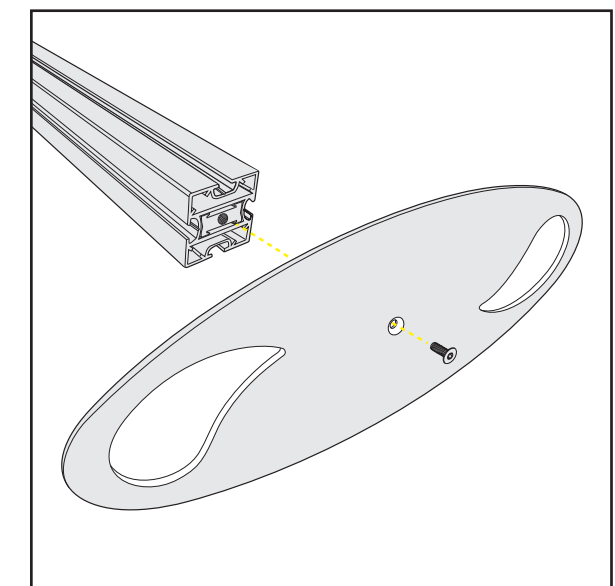
Extrusion Lock Connectors



Numbering Instructions for Setups/Packing



Inline Connection between Extrusions



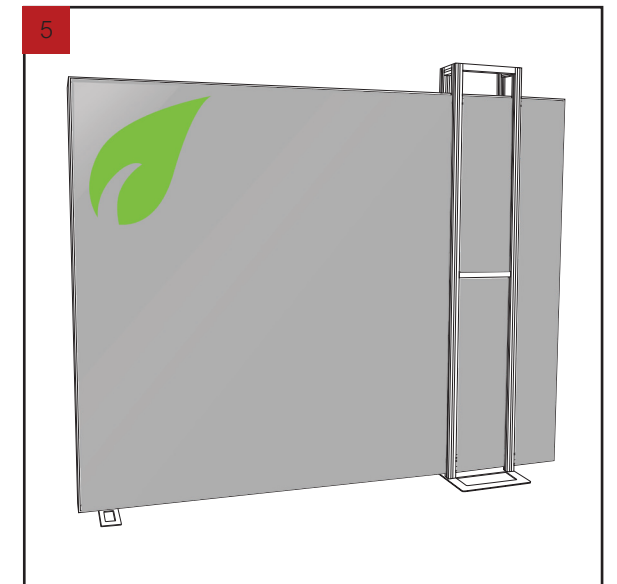
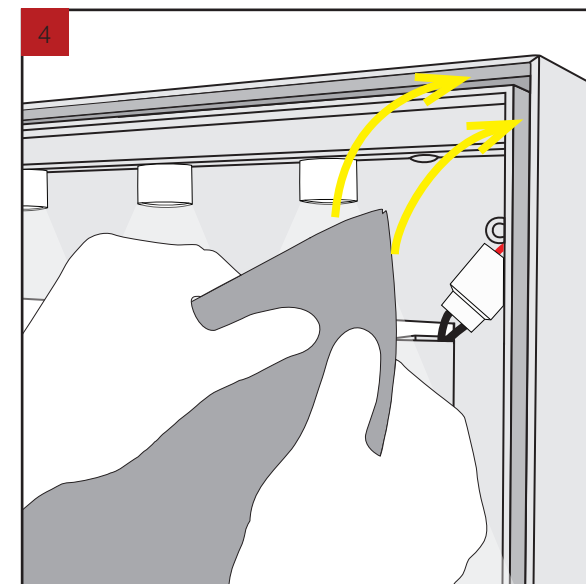
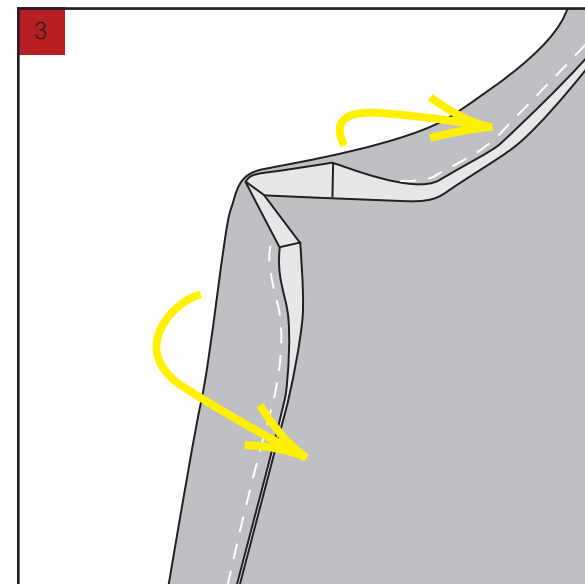
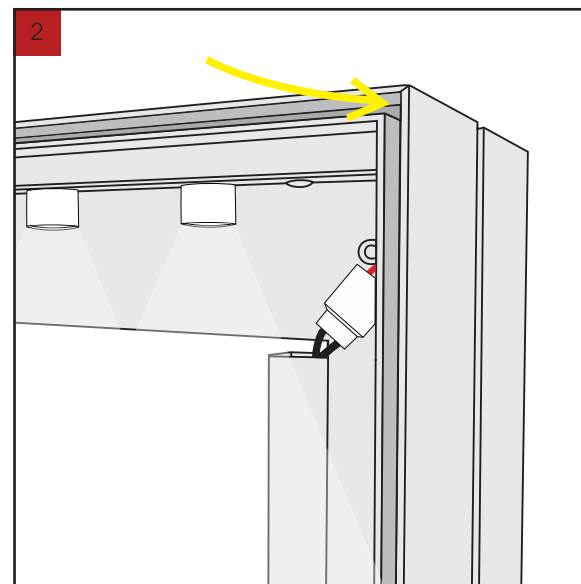
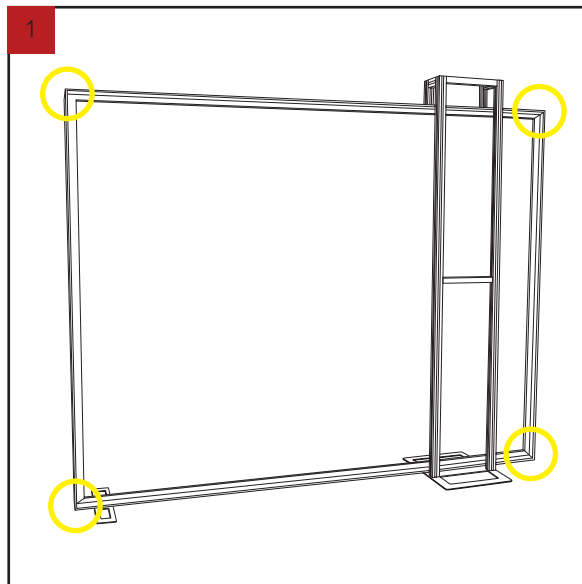
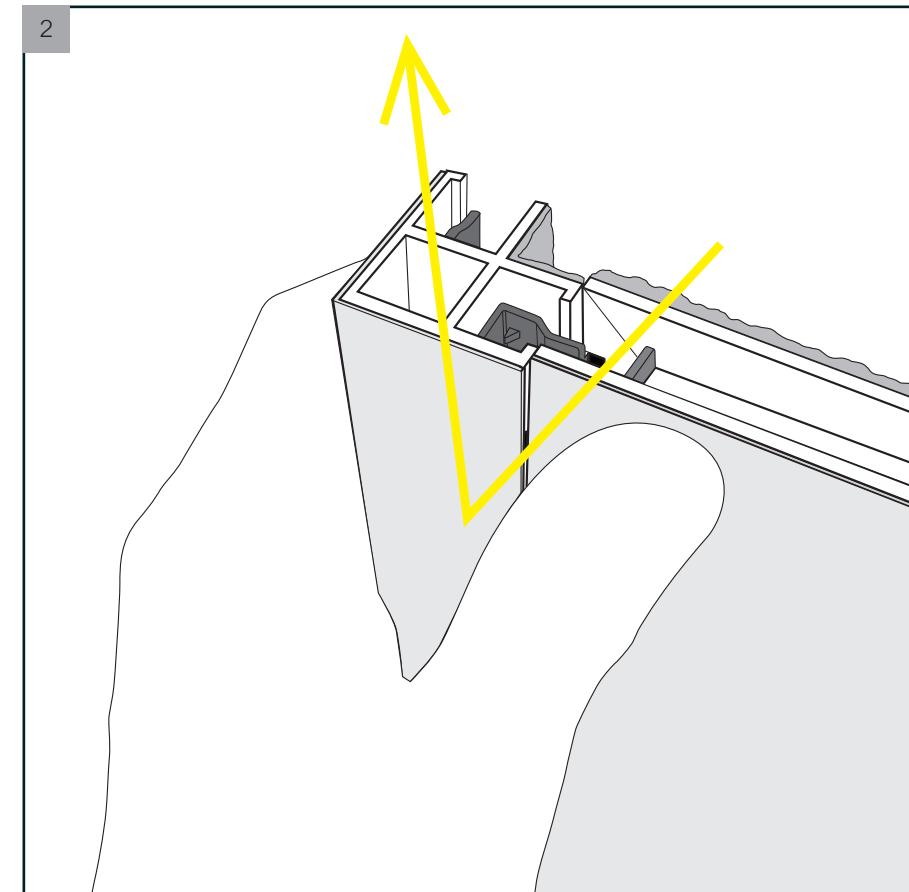
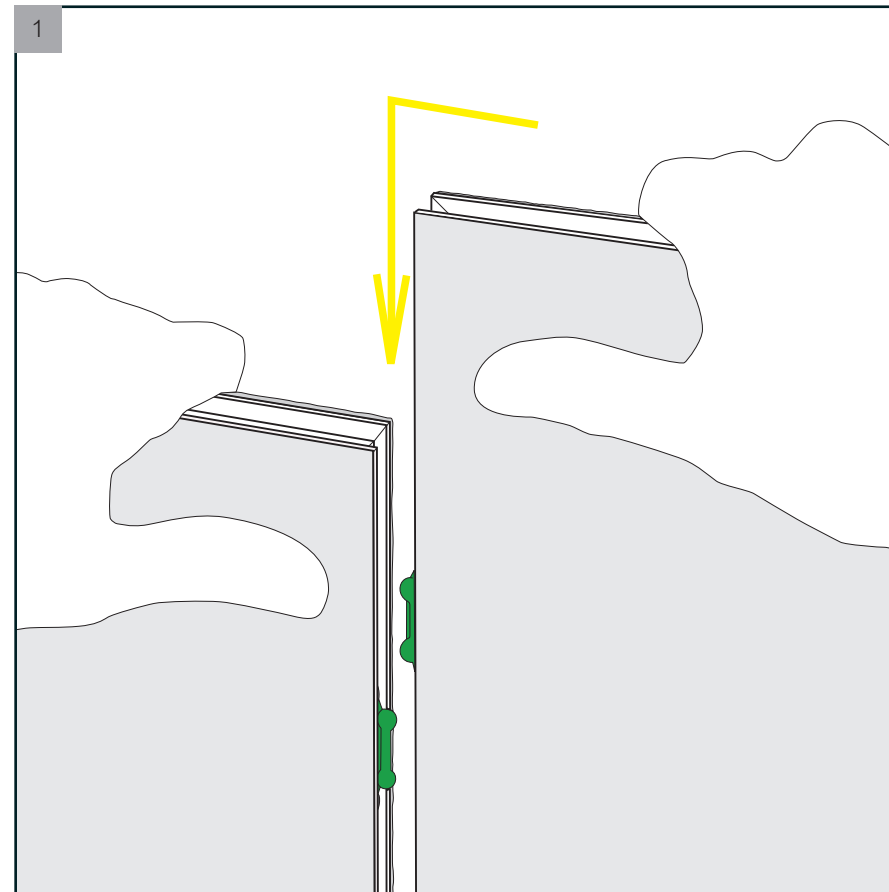
Baseplate Connection for Vertical Extrusions

# ECO Panel Install

- 1 Place ECO panel together with a vertical offset, slide down to lock connector in place.
- 2 Panel Corner Connectors are installed just like ECO panels. Remove by off-setting top lock clips horizontally followed by separating vertically.

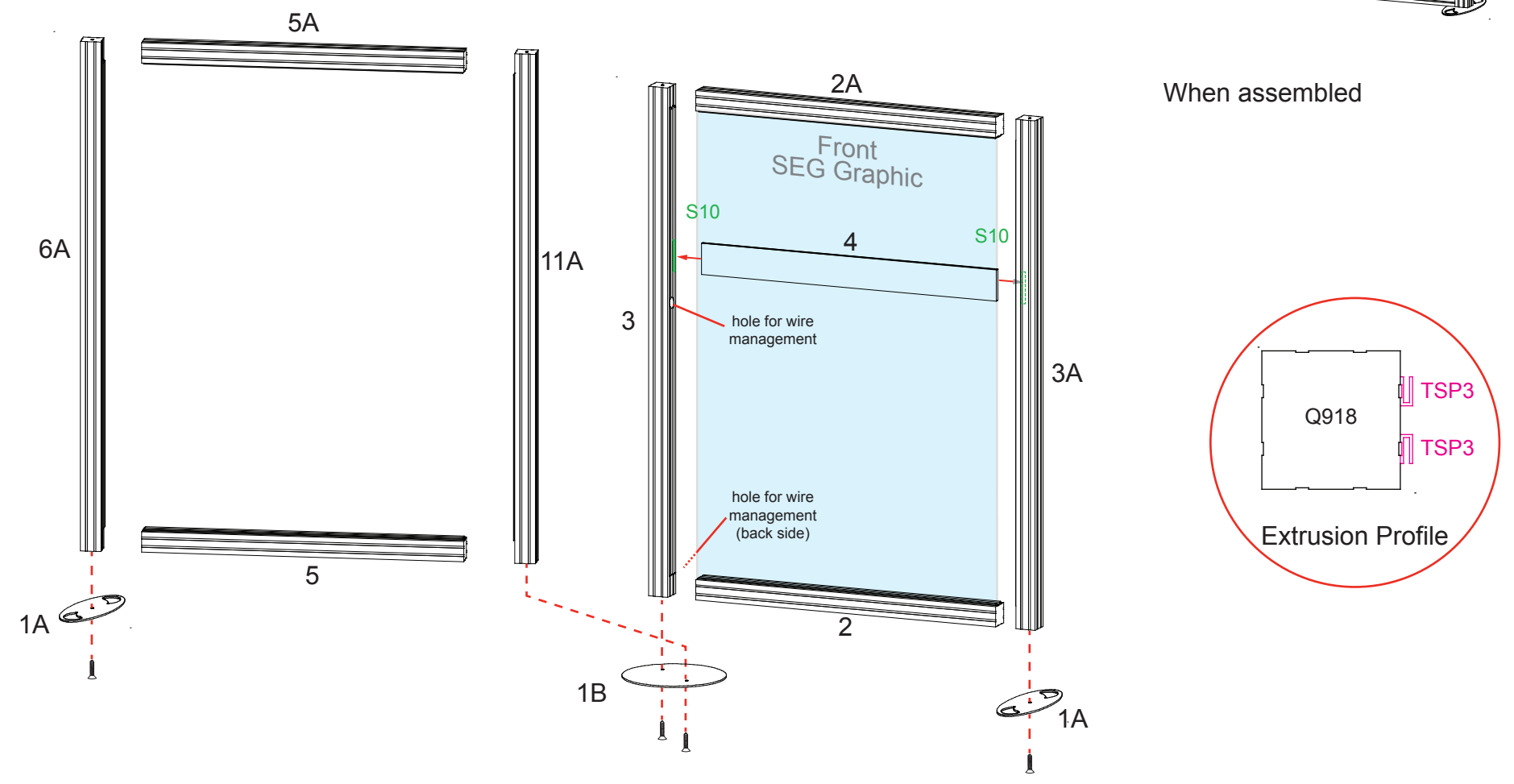
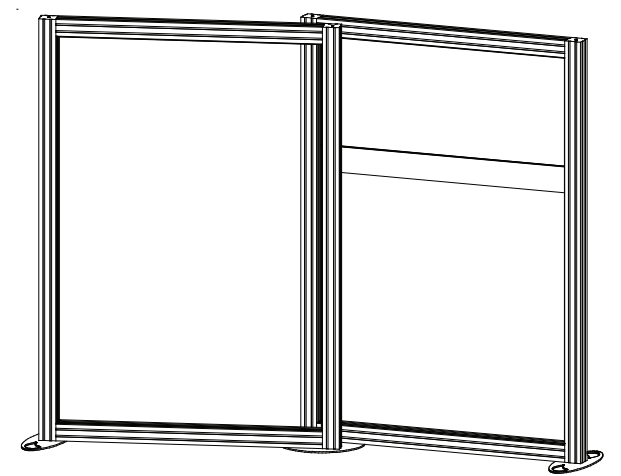
# SEG Graphic Install

- 1 Graphic is installed corners first. This allows a proportional fit around the perimeter of the extrusion.
- 2 Locate channels along the edge of the extrusions.
- 3 Fold over graphic (hiding threads) and tuck silicon edge and fabric into corners.
- 4 After corners are complete, slide in the rest of the graphic into channel. (From edges to center)
- 5 Graphic is installed. Stand back and be amazed!



Item	Qty.	Description
1A	2	8"x22" Eco Leaf Oval Baseplate
1B	1	18" Round Baseplate
2/2A	1/1	56"w Q918 Horizontal Extrusion w/ TSP3
3/3A	1/1	90"h Q918 Vertical Extrusion w/ TSP3 & S10
4	1	55.094"w Z140 Horizontal Extrusion
5/5A	1/1	56"w Q918 Horizontal Extrusion w/ TSP3
6A	1	90"h Q918 Vertical Extrusion w/ TSP3
11A	1	90"h Q918 Vertical Extrusion w/ TSP3

- Steps:
- 1) Attach Base Plates [1A] to bottom of verticals [3A,6A] using bolts.
  - 2) Connect Oval Base Plate [1B] to bottom of vertical [3].
  - 3) Attach horizontals [2,2A] between verticals [3,3A].
  - 4) Connect horizontal [4] to the S10 extrusions on verticals [3,3A].
  - 5) Apply SEG Graphic to front only of assembly [2/2A/3/3A].
  - 6) Connect vertical [11A] to Oval Base Plate [1B].
  - 7) Attach horizontals [5,5A] between verticals [6A,11A].



## SEG Graphic Installation

**Step 1**  
Insert corner A. Turn edge of graphic so silicon welt is perpendicular to face of graphic. Insert narrow side of welt with fabric to outside into the channel. Repeat for other side of this corner.

**Step 2**  
Repeat Step 1 for opposite corner C, then insert corner B, followed by corner D, to complete the installation of the corners.

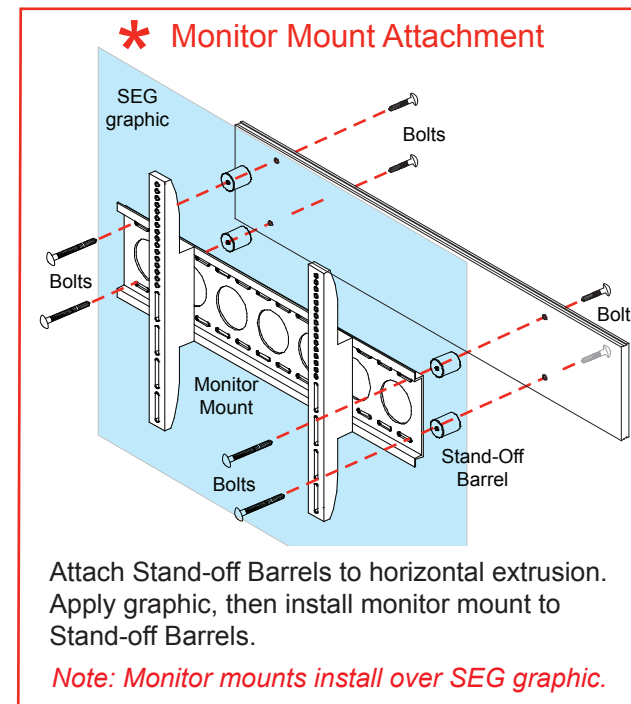
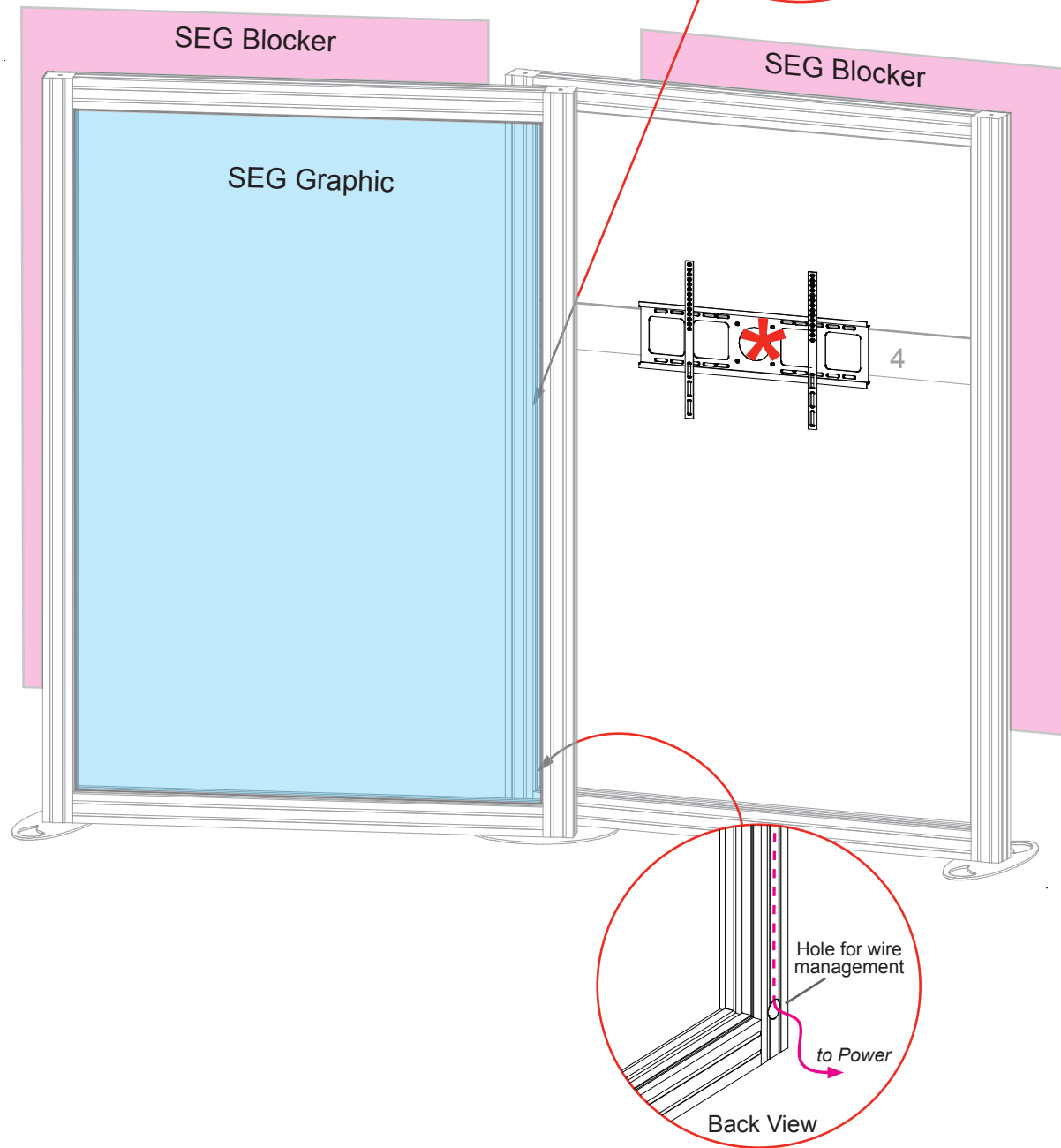
**It is important to first insert graphic into each alternate corner then to the sides of the frame. If this is not done, graphic will not fit into the frame correctly.**

**Step 3**  
Once all corners are inserted, press one silicon edge into channel from corners and work toward the center. Make sure welt is fully inserted into channel. Continue until all sides are done. Smooth out edges of graphic.

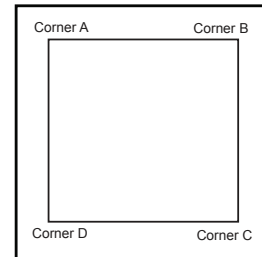
**Graphic Removal**  
To remove the graphic from the frame, locate the fabric pull tab. Gently pull up on the tab to remove the fabric.

Steps:

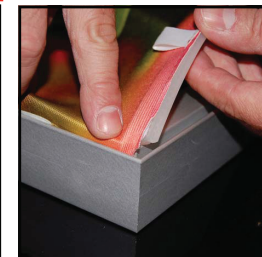
- 1) Install Monitor Mount to horizontal [4]. See **Monitor Mount Attachment** detail.
- 2) Run power cords for monitor through holes in extrusion to power source, as shown.
- 3) Apply remaining SEG Graphics & Blockers.



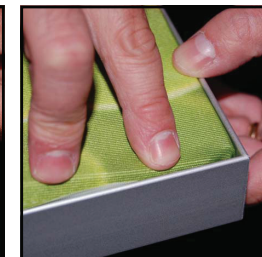
### SEG Graphic Installation



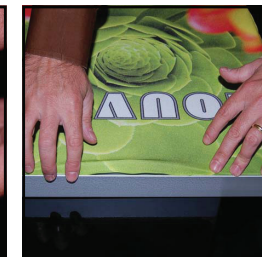
It is important to first insert graphic into each alternate corner then to the sides of the frame. If this is not done, graphic will not fit into the frame correctly.



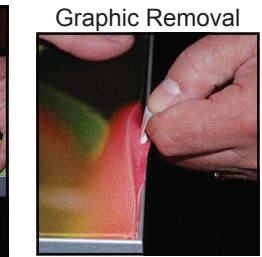
**Step 1**  
Insert corner A. Turn edge of graphic so silicon welt is perpendicular to face of graphic. Insert narrow side of welt with fabric to outside into the channel. Repeat for other side of this corner.



**Step 2**  
Repeat Step 1 for opposite corner C, then insert corner B, followed by corner D, to complete the installation of the corners.



**Step 3**  
Once all corners are inserted, press one silicon edge into channel from corners and work toward the center. Make sure welt is fully inserted into channel. Continue until all sides are done. Smooth out edges of graphic.



To remove the graphic from the frame, locate the fabric pull tab. Gently pull up on the tab to remove the fabric.

# AERO

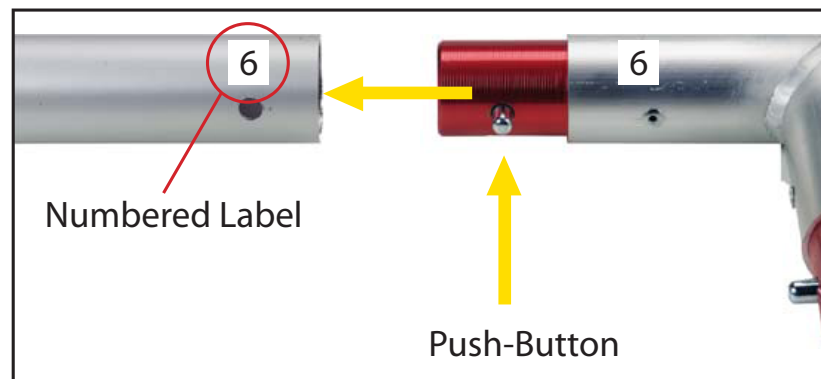
## Using Your Setup Instructions

The Aero Overhead Sign Setup Instructions are created specifically for your configuration. They include an exploded view of the frame which is sequentially numbered. We encourage you to study the instructions before attempting to assemble your exhibit.

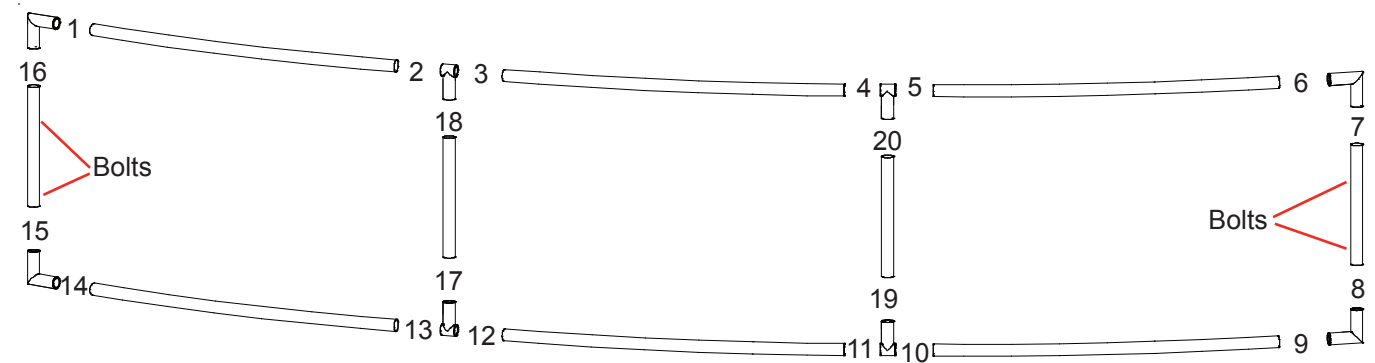
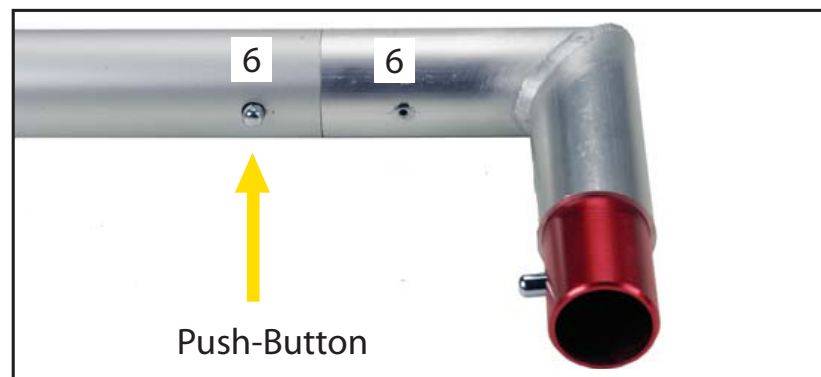
Connections are kept very simple: no tools. Everything assembles with push-button connectors and pre-connected horizontal sections.

## Cleaning and Packing Your Display

- 1) Use care when cleaning aluminum extrusion or acrylic inserts. Use only non-abrasive cleaners.
- 2) Retain all packing material. It will make re-packing much easier and will reduce the likelihood of shipping damage.



Connections are made by holding the button down and sliding the red tube into opposing tube until the connection is made. To disassemble push button and pull or twist extrusions apart.



### Steps:

- 1) Assemble Aero header parts in numerical order as shown.
- 2) Apply Pillowcase Graphic to assembled Aero frame.
- 3) Attach Aero Frame to backwall verticals [3A,6A], as shown.

