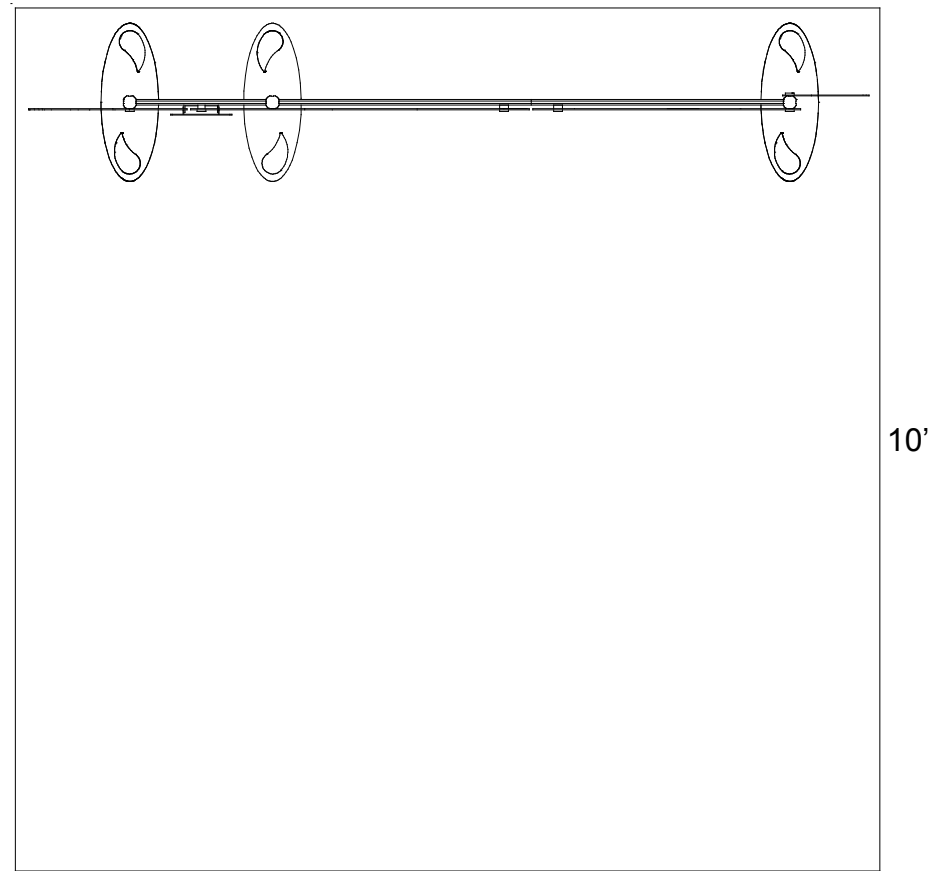
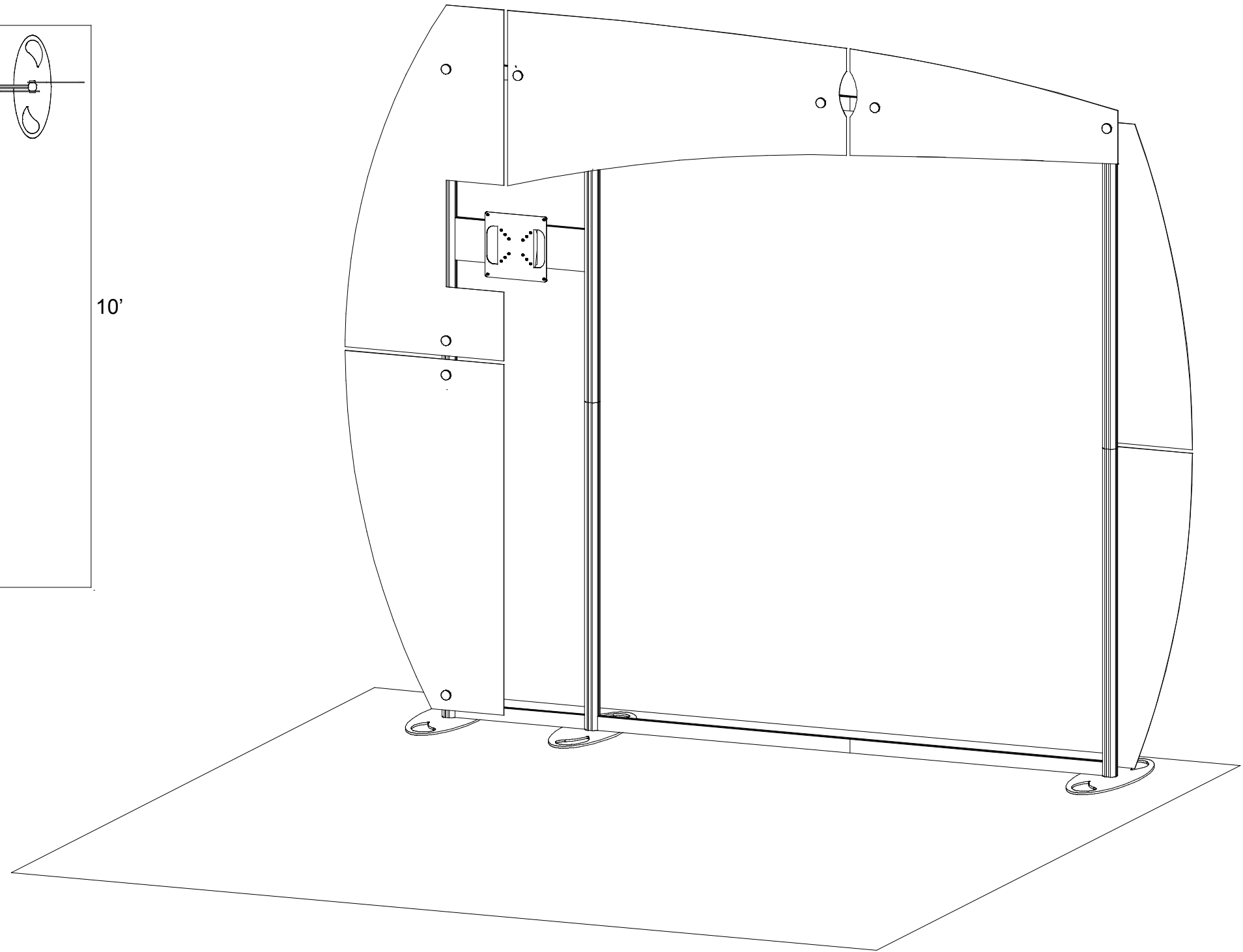


Order #XXXXX - ECO-1040 - 10' x 10' Portable Sustainable Exhibit



Plan View

10'



## General Setup Instructions

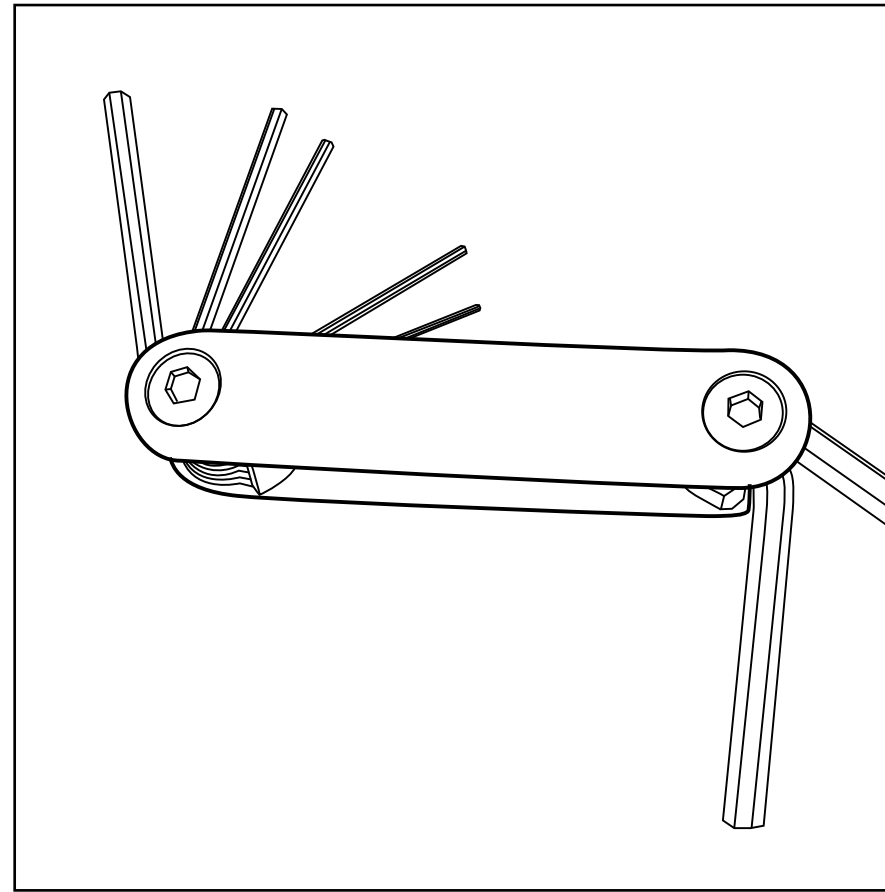
- The setup instructions are created specifically for your configuration.
- Setup instructions are laid out sequentially in levels, including exploded views and a logical series of steps for assembly. We encourage you to study the instructions before attempting to assemble your exhibit.

## Cleaning and Packing

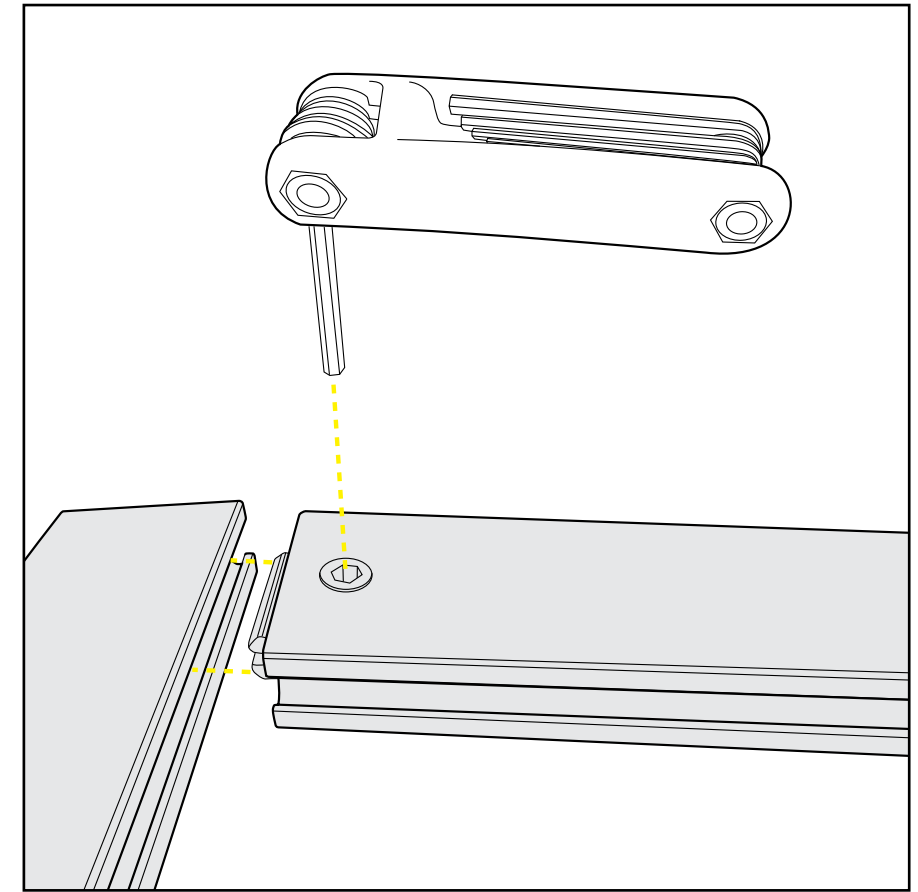
- Use non-abrasive cleaners when cleaning extrusions or ECO Glass inserts.
- Use mild cleaners and soft materials such as cotton to clean all laminates.
- Keep exhibit components away from extreme heat and long exposure to sun light. This will prevent warping and fading.
- Retain all packing material for ease of re-packing. This protects the exhibit components and keeps each part organized.

## Disassembling

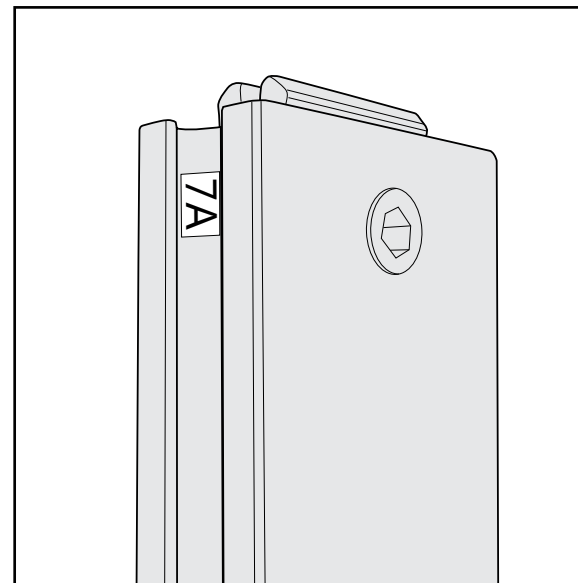
- When disassembling exhibit, tighten all setscrews to prevent loss of hardware in the shipping process.



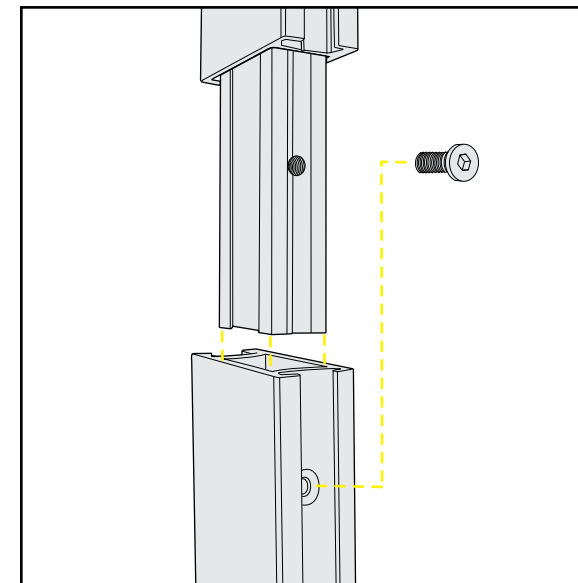
Hex Tool for Assembling Exhibit



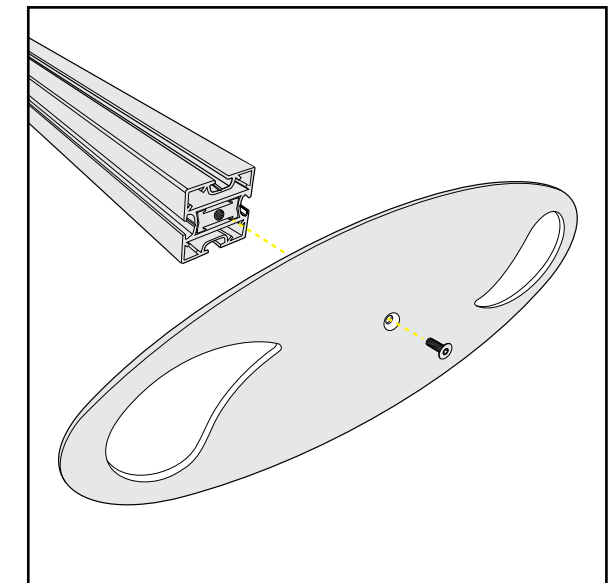
Extrusion Lock Connectors



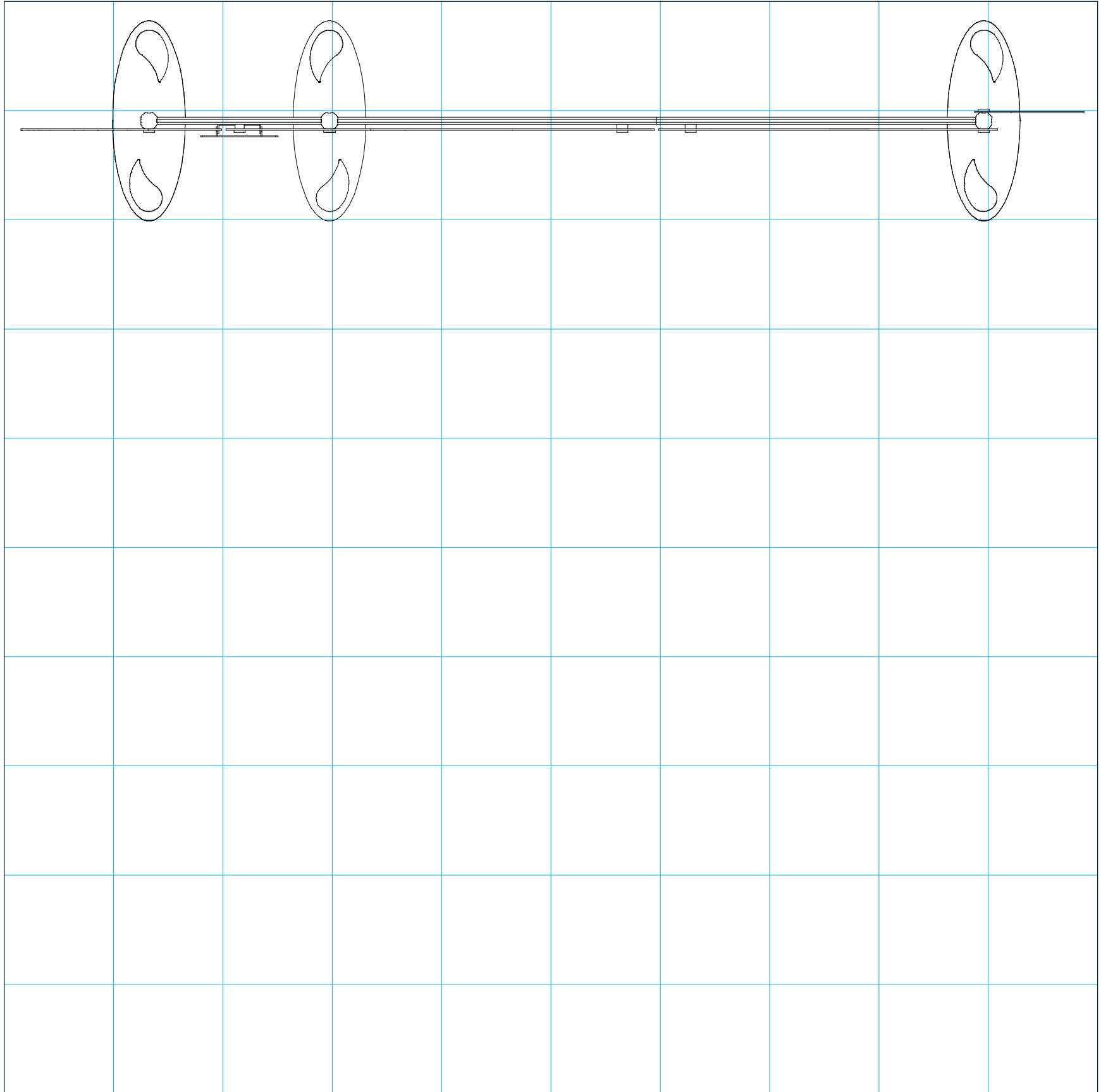
Numbering Instructions for Setups/Packing



Inline Connection between Extrusions

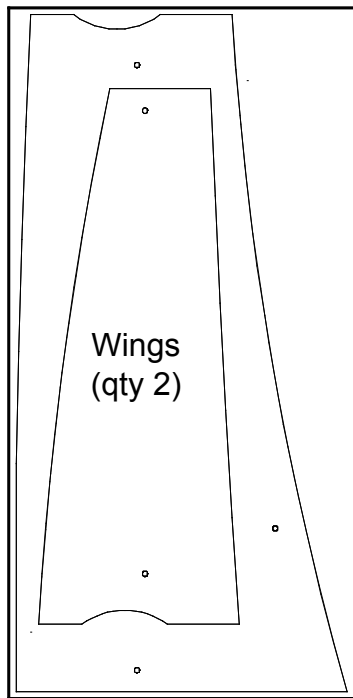


Baseplate Connection for Vertical Extrusions

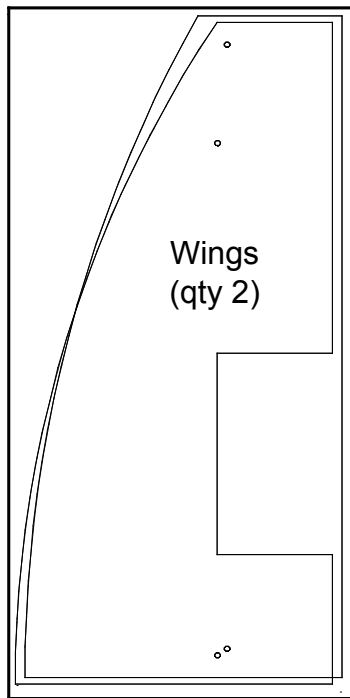


= 1 sq foot

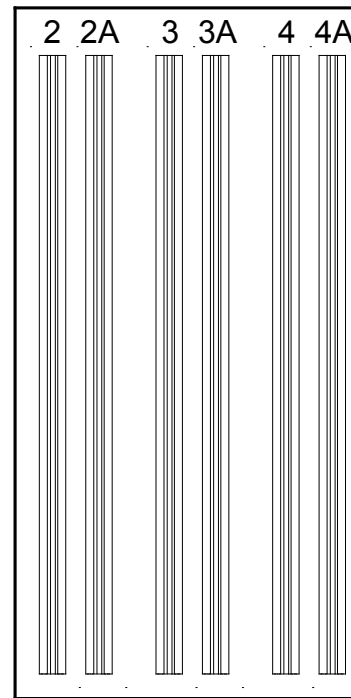
### Top View of Each Level



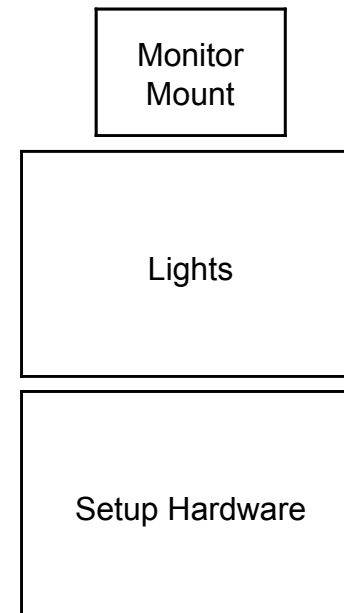
Level 1



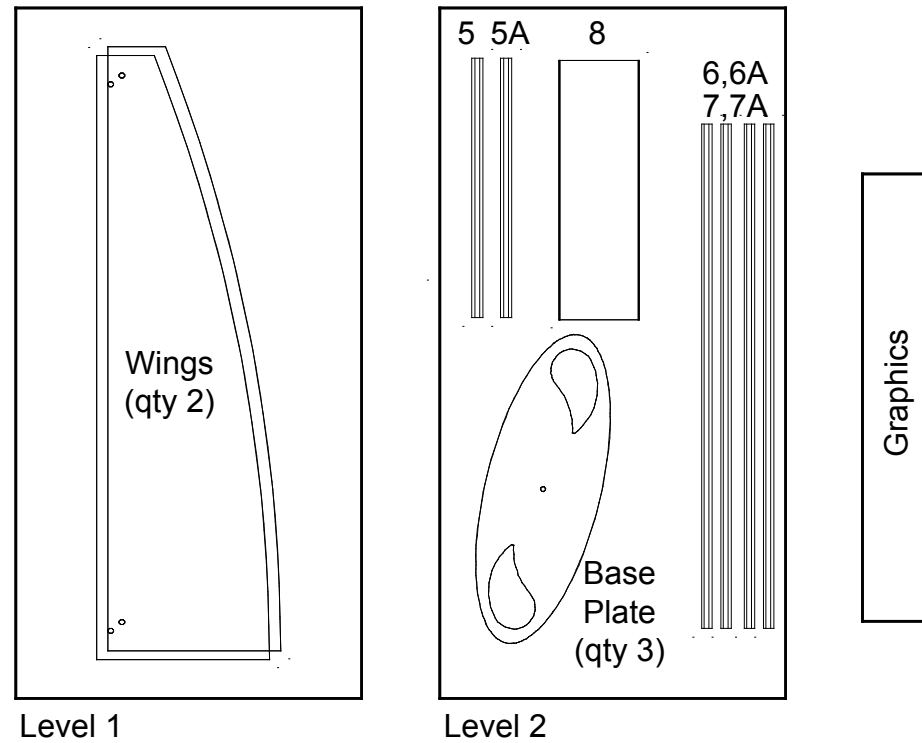
Level 2



Level 3



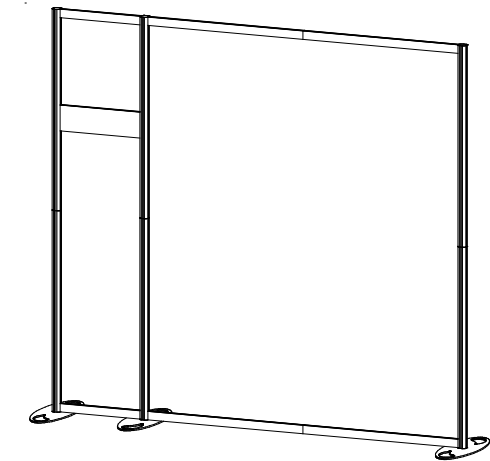
### Top View of Each Level



Item	Qty.	Description
1	3	8" x 22" Base Plate
2/2A	1/1	43"h RSG540 Vertical Extrusion
3/3A	1/1	43"h RSG540 Vertical Extrusion
4/4A	1/1	43"h RSG540 Vertical Extrusion
5/5A	1/1	18"w Z45 Horizontal Extrusion
6/6A	1/1	35"w Z45 Horizontal Extrusion
7/7A	1/1	35"w Z45 Horizontal Extrusion
8	1	18"w Z140 Horizontal Extrusion

**Steps:**

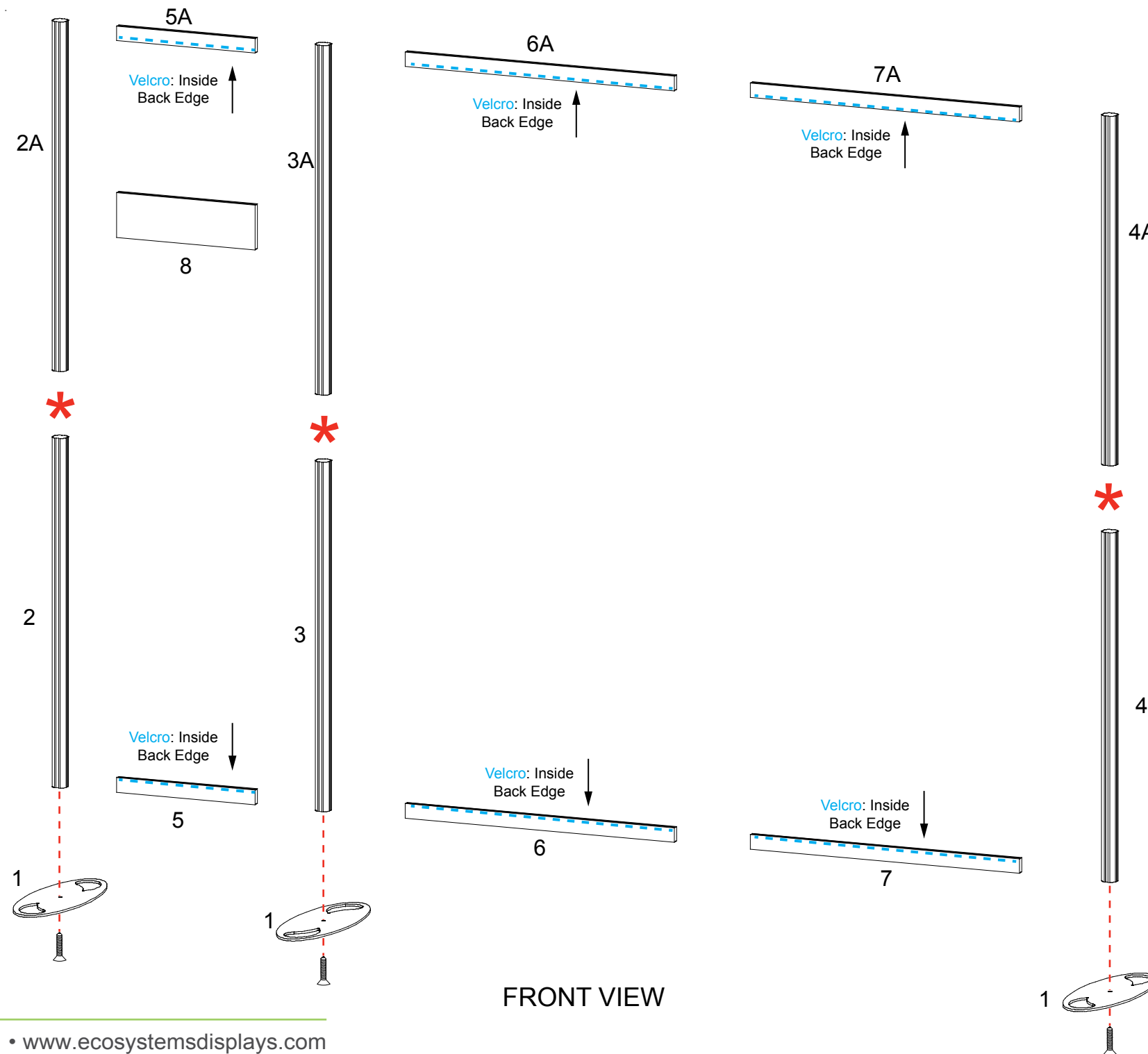
- 1) Attach Base Plates [1] to bottom of verticals [2,3,4], using bolts.
- 2) Connect verticals [2-2A], [3-3A], [4-4A] together. See **RSG540 Connector** detail.
- 3) Attach horizontals [5,5A] & [8] between vertical assemblies [2/2A], [3/3A].
- 4) Assemble horizontals [6-7] & [6A-7A] between vertical assemblies [3/3A] & [4/4A].
- 5) Apply fabric Graphics to **Velcro** on back of assembled backwall.



When assembled

**Step 1**

Attach graphic to **Velcro** on back of assembled frame



FRONT VIEW

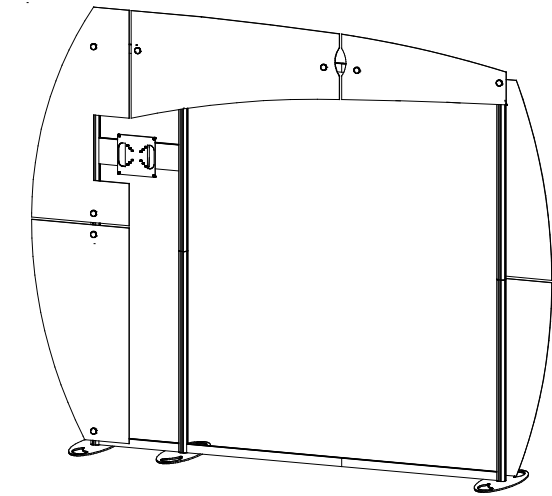
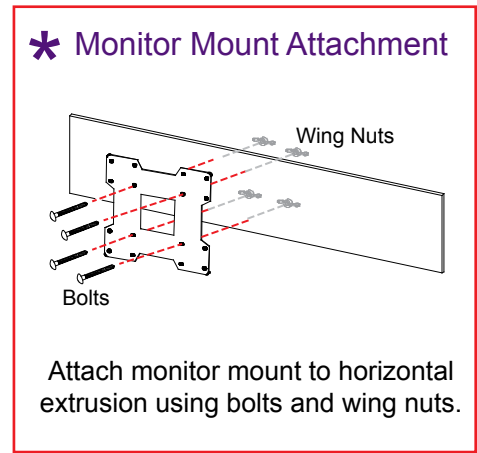
**\* RSG540 Connector**

Slide extrusion over connectors and rest on lower vertical; secure with screws.

**\*\*To prevent product loss, Keep all screws attached to connector piece after disassembling**

Steps:

- 1) Install Monitor Mount to Horizontal [8]. See [Monitor Mount Attachment](#) detail.
- 2) Attach left-side **Wings** to *front* of verticals [2/2A], using screw caps. See [Wing Attachment w/ Screw Cap](#) detail.
- 3) Connect header **Wings** to *front* of horizontals [5A,6A,7A] using standoff barrels & caps, and to vertical [4A] using screw caps. See [Wing to Horizontal Attachment w/ Standoffs](#) detail and [Wing Attachment w/ Screw Cap](#) detail.
- 4) Attach right-side **Wings** to *back* of verticals [4/4A], using screw caps. See [Wing Attachment w/ Screw Cap](#) detail.



When assembled

