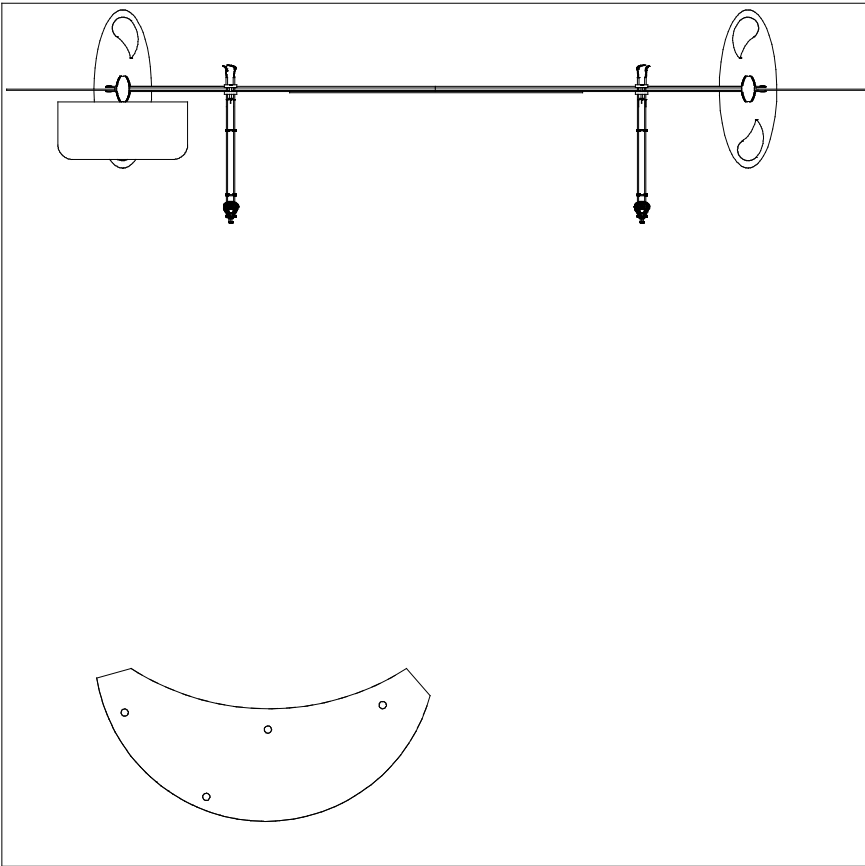
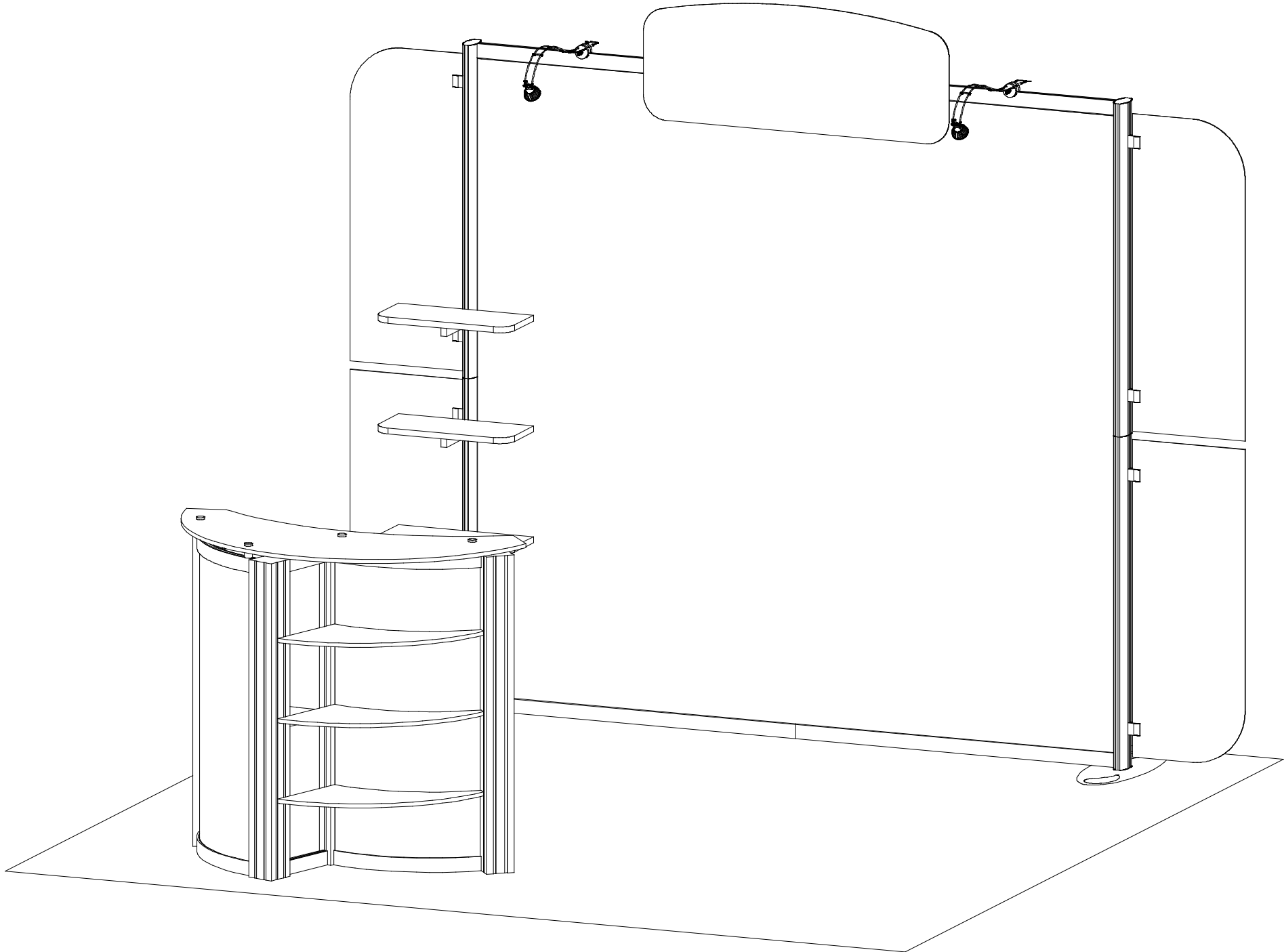
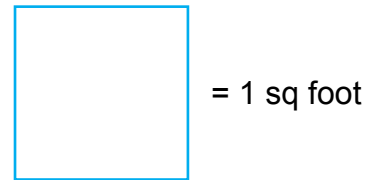
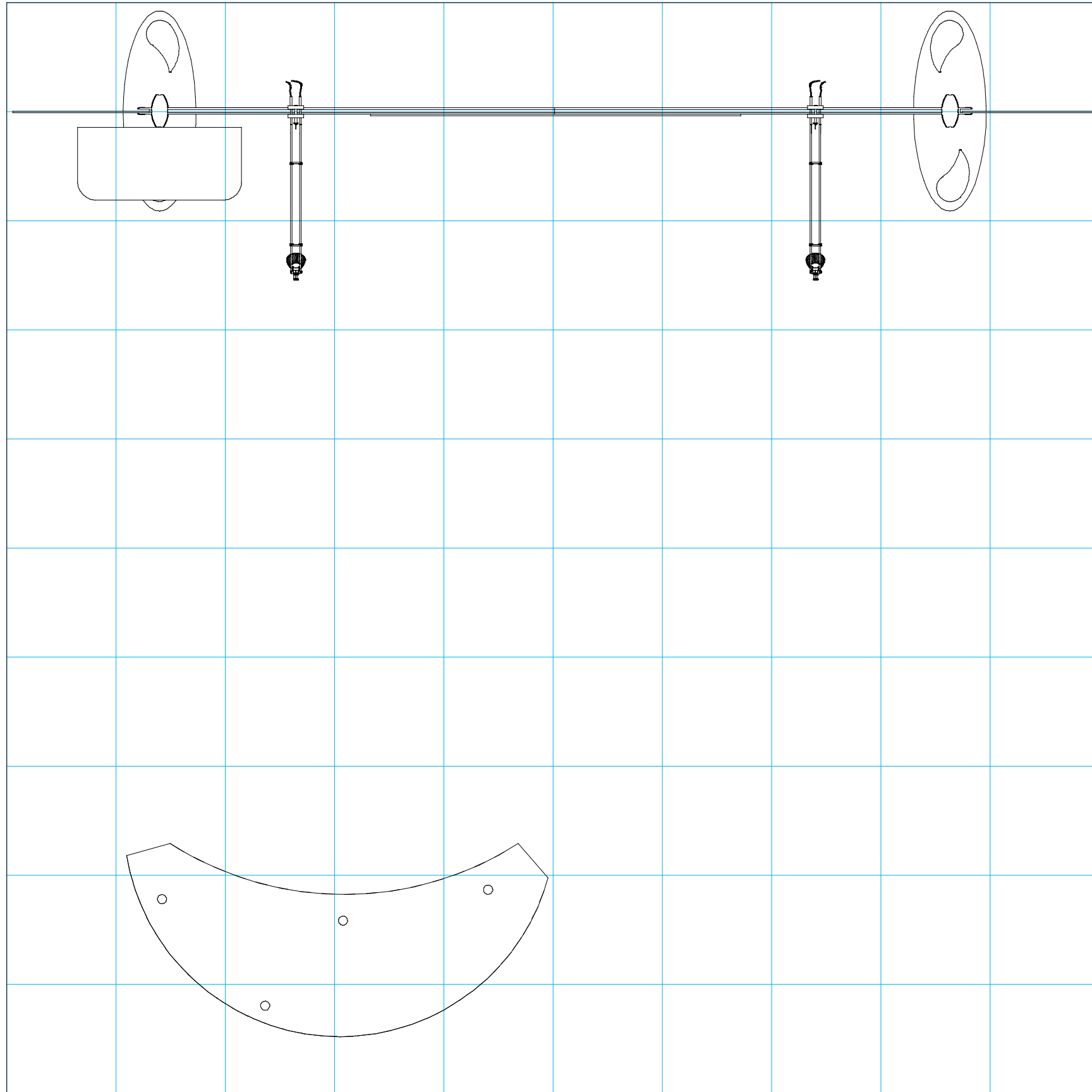


Order #XXXXX ECO-1036 with ECO-4C Podium - 10'x10' Sustainable Exhibit



Plan View



General Setup Instructions

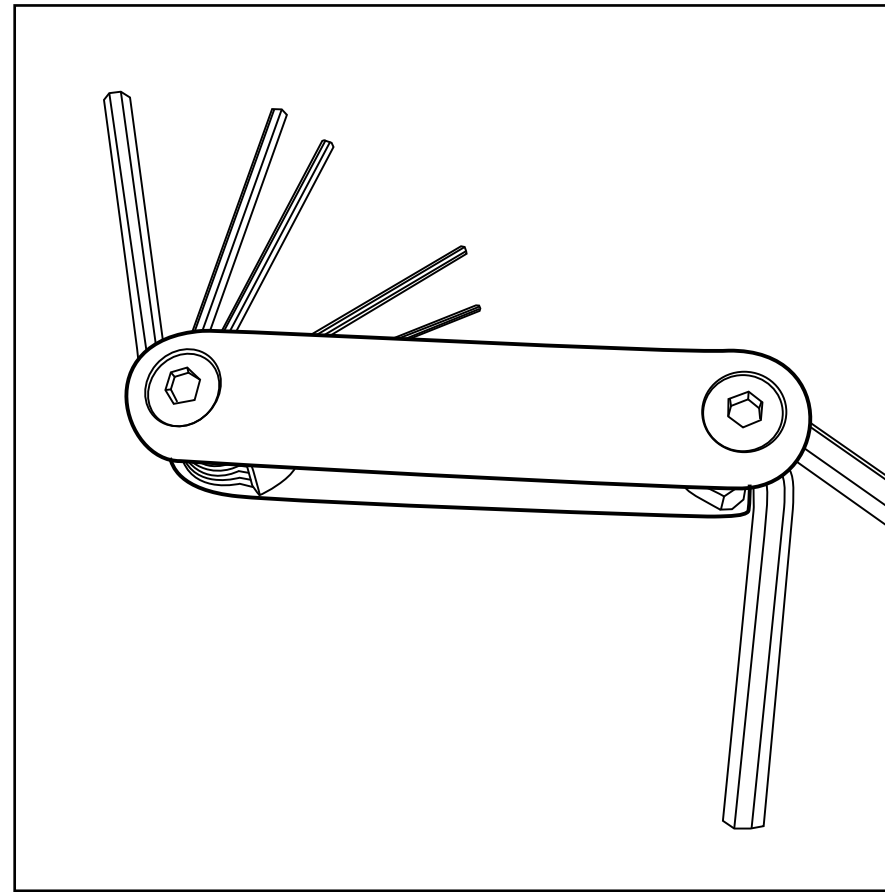
- The setup instructions are created specifically for your configuration.
- Setup instructions are laid out sequentially in levels, including exploded views and a logical series of steps for assembly. We encourage you to study the instructions before attempting to assemble your exhibit.

Cleaning and Packing

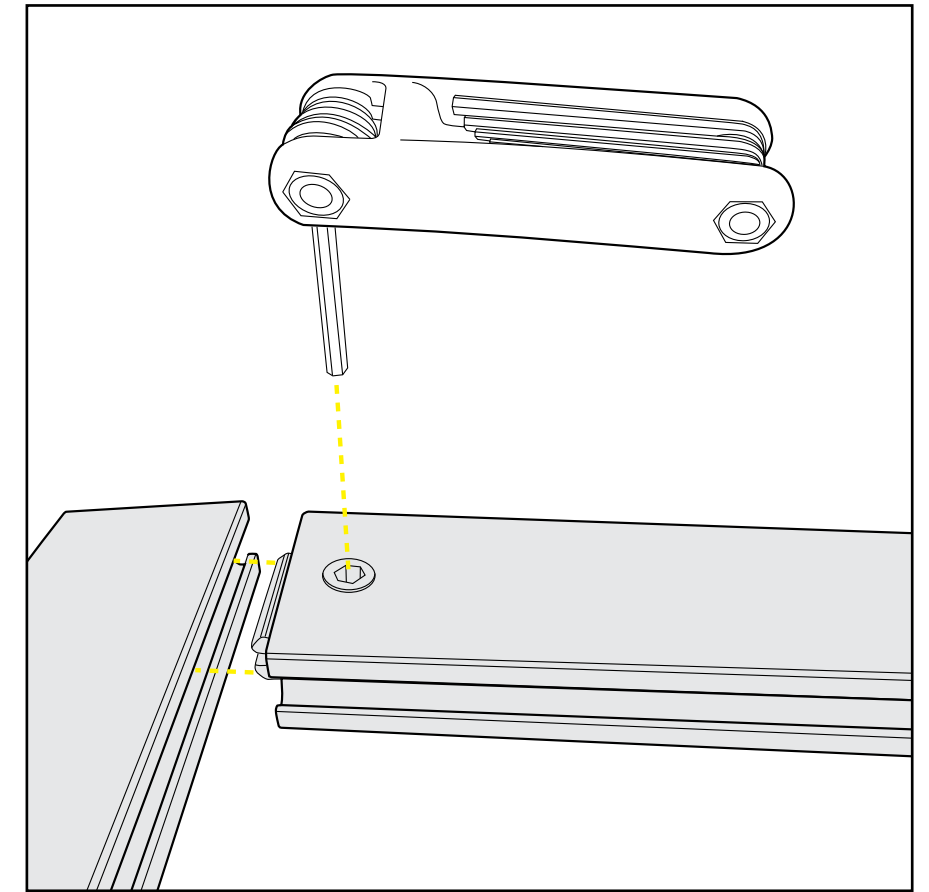
- Use non-abrasive cleaners when cleaning extrusions or ECO Glass inserts.
- Use mild cleaners and soft materials such as cotton to clean all laminates.
- Keep exhibit components away from extreme heat and long exposure to sun light. This will prevent warping and fading.
- Retain all packing material for ease of re-packing. This protects the exhibit components and keeps each part organized.

Disassembling

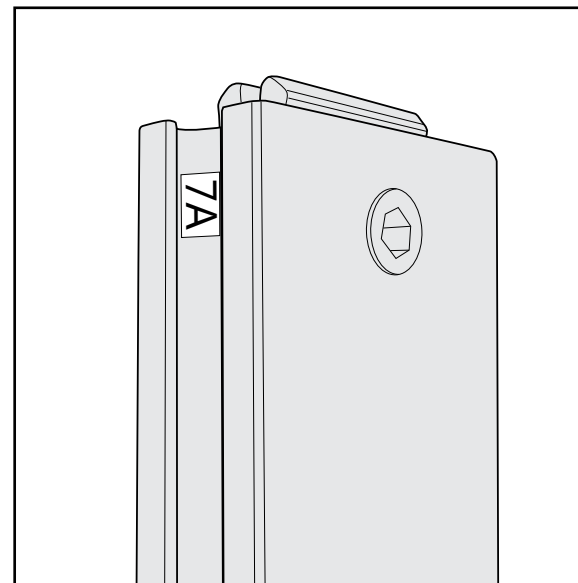
- When disassembling exhibit, tighten all setscrews to prevent loss of hardware in the shipping process.



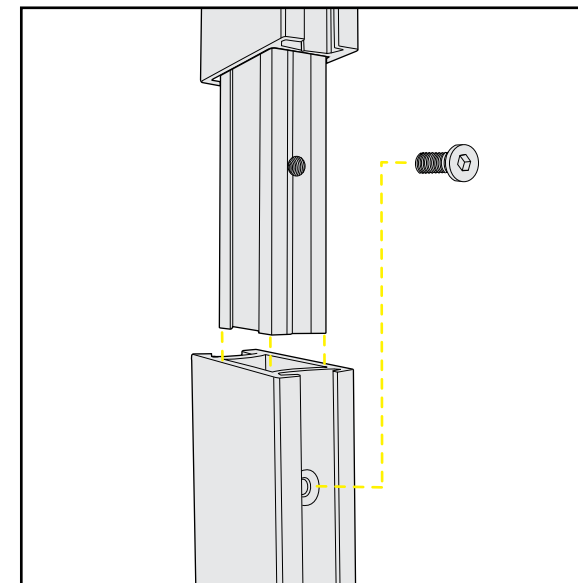
Hex Tool for Assembling Exhibit



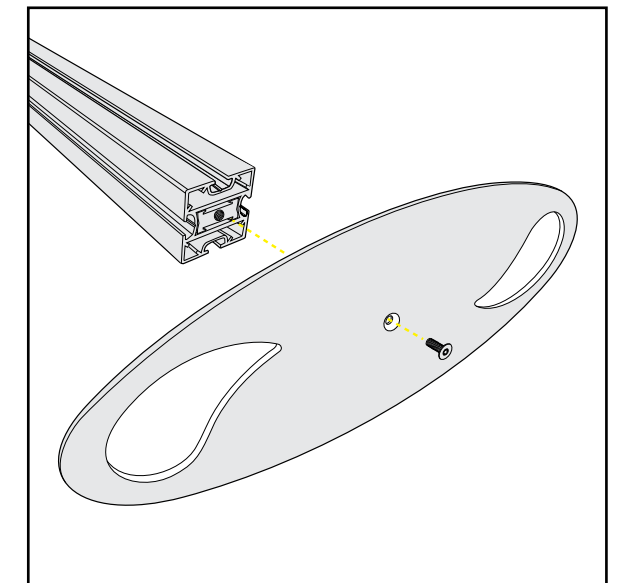
Extrusion Lock Connectors



Numbering Instructions for Setups/Packing

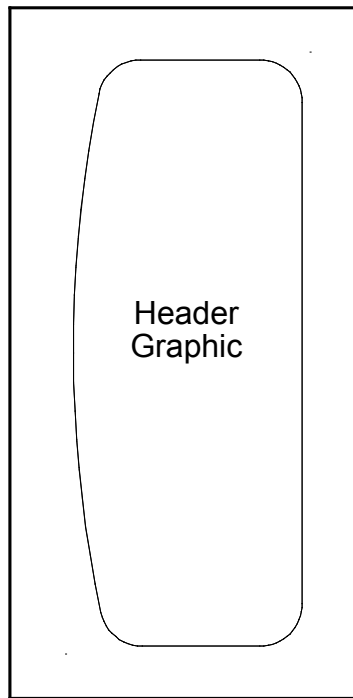


Inline Connection between Extrusions

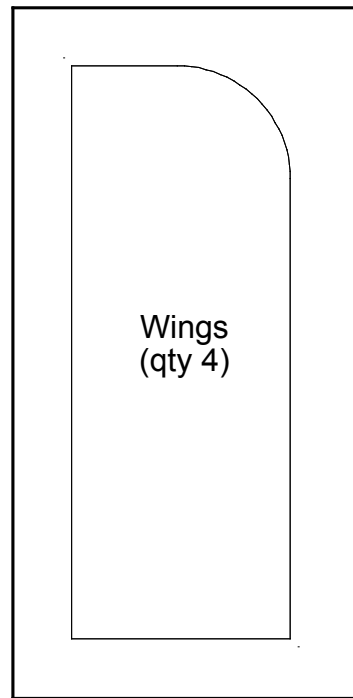


Baseplate Connection for Vertical Extrusions

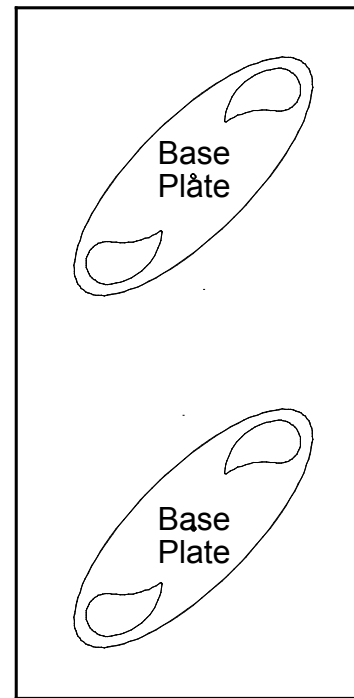
Top View of Each Level



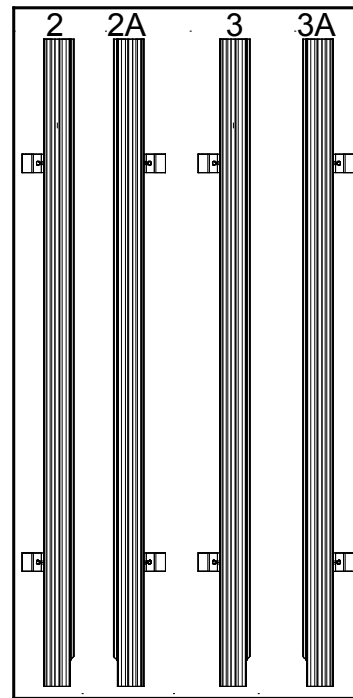
Level 1
(Bottom level)



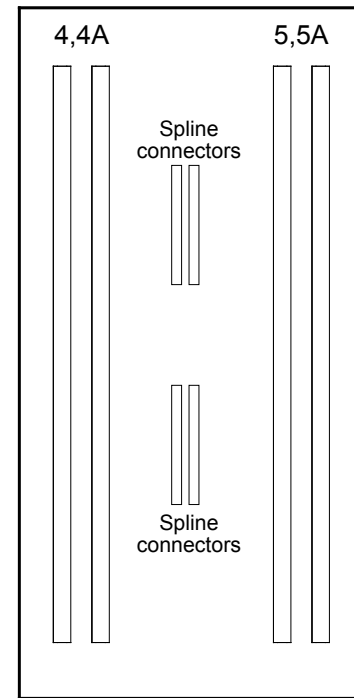
Level 2



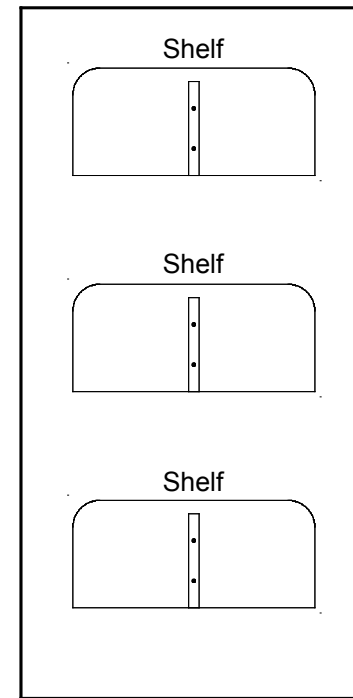
Level 3



Level 4



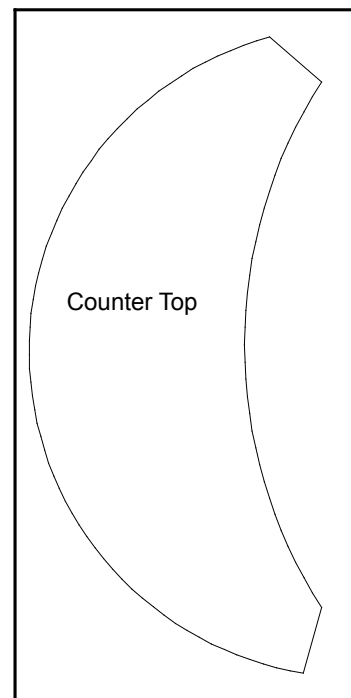
Level 5



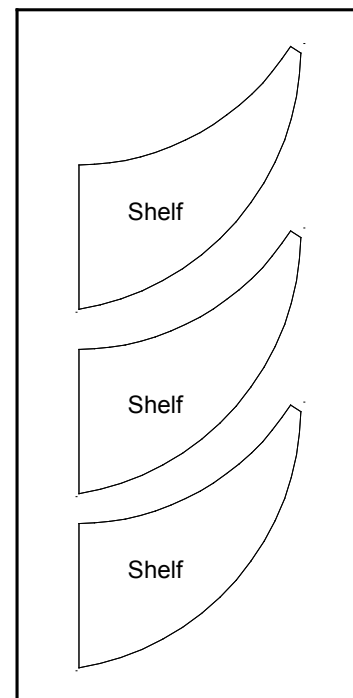
Level 6
(Top level)



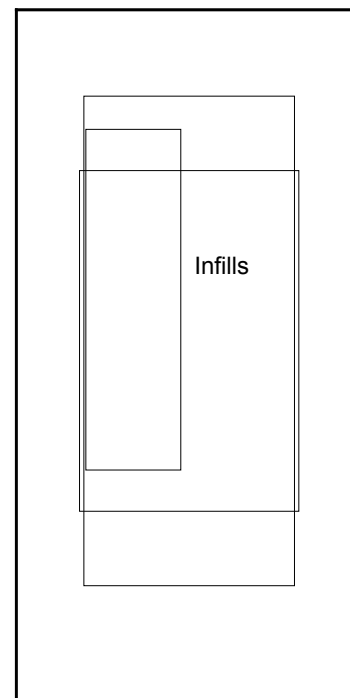
Top View of Each Level



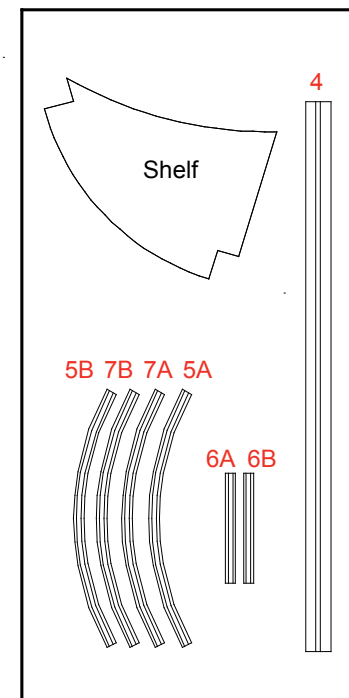
Level 1
(Bottom level)



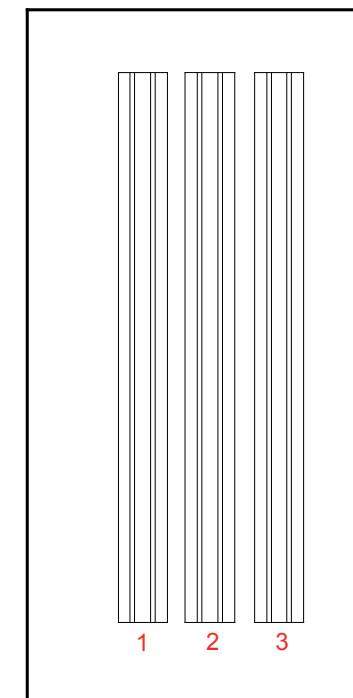
Level 2



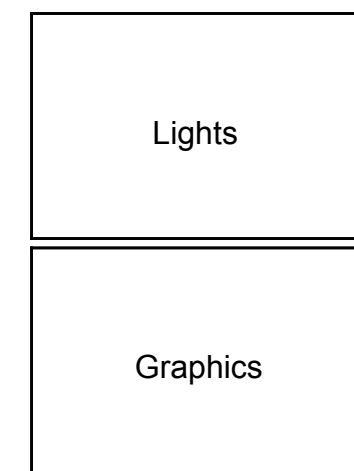
Level 3



Level 4



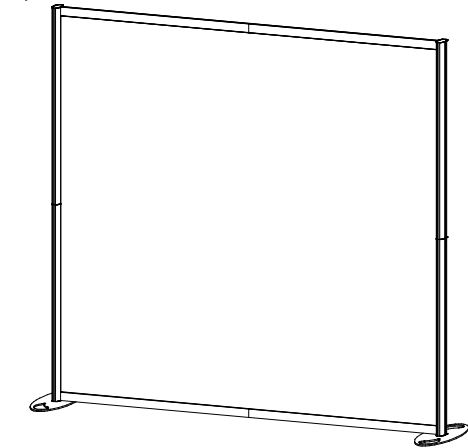
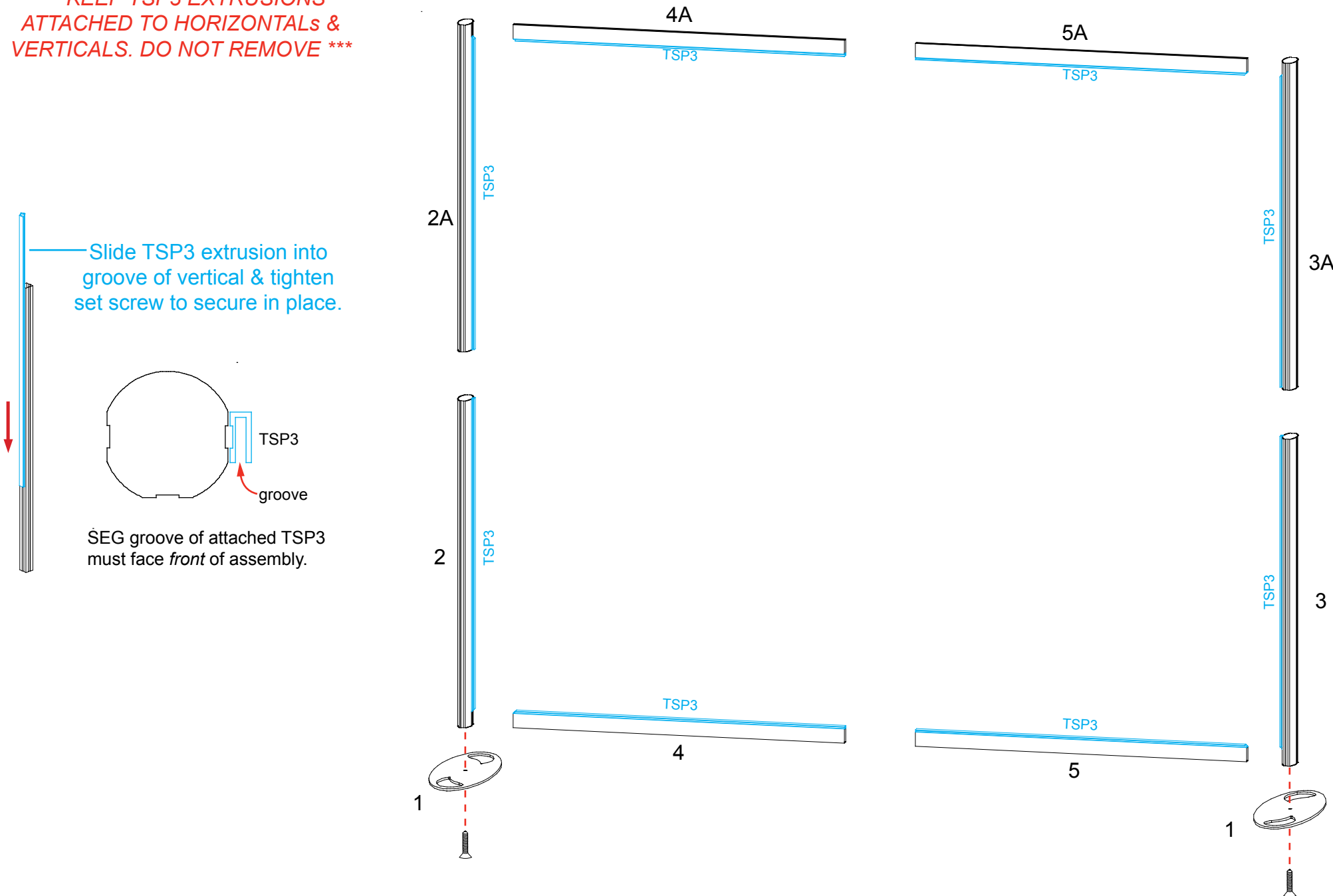
Level 5
(Top level)



Item	Qty.	Description
1	2	8" x 22" oval Base Plate
2/2A	1/1	42"h OP91 Vertical Extrusion w/ TSP3
3/3A	1/1	42"h OP91 Vertical Extrusion w/ TSP3
4/4A	1/1	42.5"w Z45 Horizontal Extrusion w/ TPS3
5/5A	1/1	42.5"w Z45 Horizontal Extrusion w/ TPS3

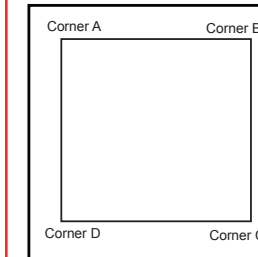
- Steps:
- 1) Connect Base Plates [1] to bottom of verticals [2,3], using bolts.
 - 2) Assemble verticals [2-2A], [3-3A] together.
 - 3) Attach horizontals [4-5], [4A-5A] between vertical assemblies [2/2A], [3/3A].
 - 4) Apply SEG Graphic to assembled frame.

***** KEEP TSP3 EXTRUSIONS ATTACHED TO HORIZONTALS & VERTICALS. DO NOT REMOVE *****

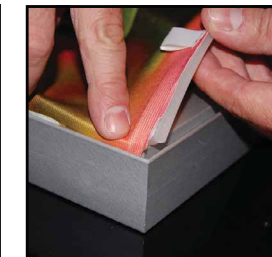


When assembled

SEG Graphic Installation



It is important to first insert graphic into each alternate corner, then to the sides of the frame. If this is not done, graphic will not fit into the frame correctly.



Step 1
Insert corner A. Turn edge of graphic so silicon welt is perpendicular to face of graphic. Insert narrow side of welt with fabric to outside into the channel. Repeat for other side of this corner.

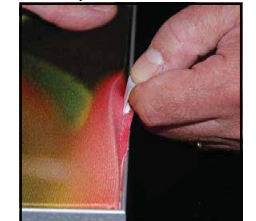


Step 2
Repeat Step 1 for opposite corner C, then insert corner B, followed by corner D, to complete the installation of the corners.



Step 3
Once all corners are inserted, press one silicon edge into channel from corners and work toward the center. Make sure welt is fully inserted into channel. Continue until all sides are done. Smooth out edges of graphic.

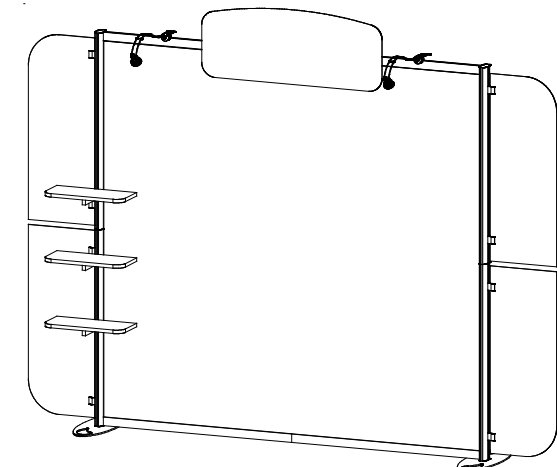
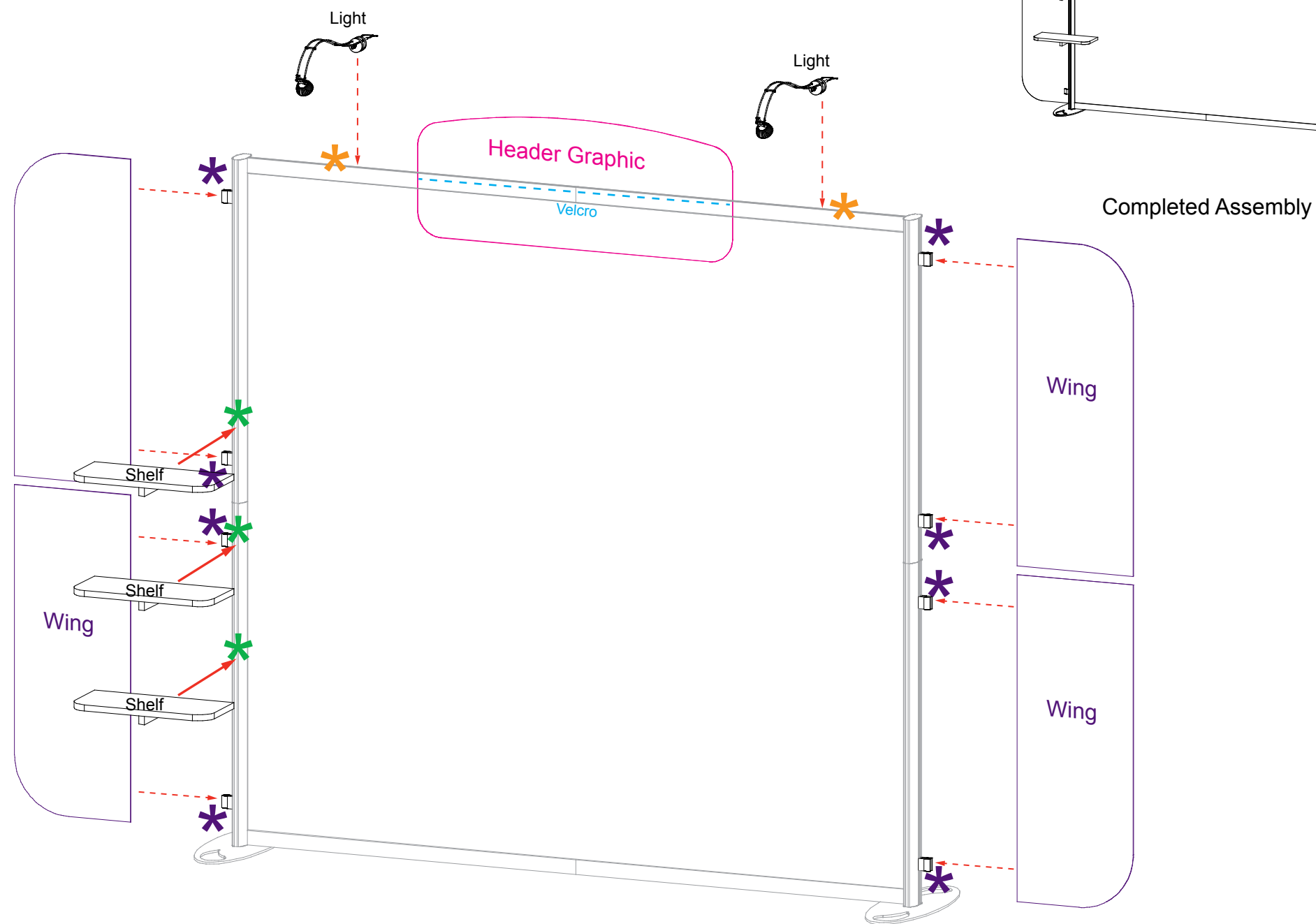
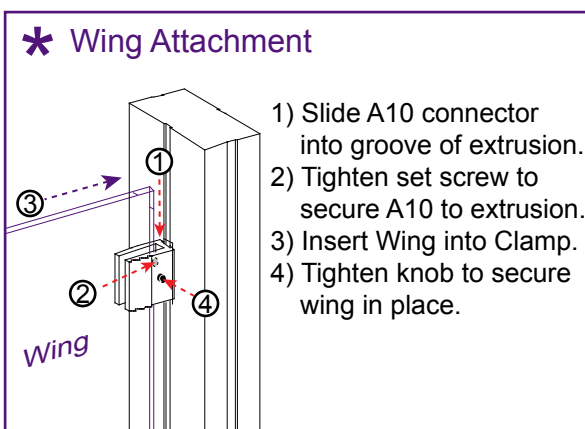
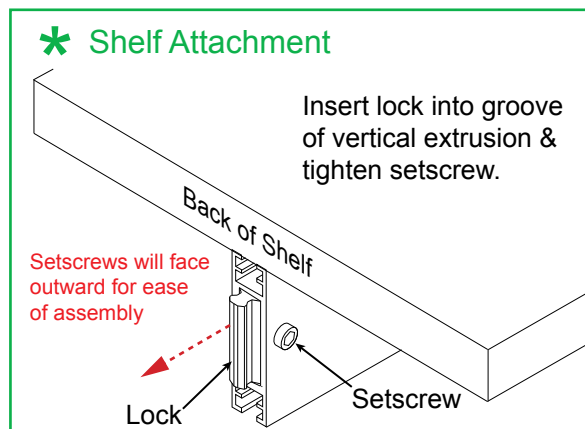
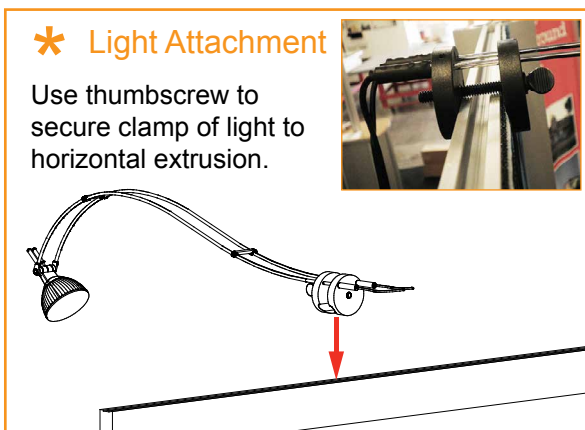
Graphic Removal



To remove the graphic from the frame, locate the fabric pull tab. Gently pull up on the tab to remove the fabric.

Steps:

- 1) Affix **Header Graphic** to top horizontals, using **Velcro**.
- 2) Connect **Lights** to top horizontals. See **Light Attachment** detail.
- 3) Attach **Shelves** to vertical [2/2A]. See **Shelf Attachment** detail.
- 4) Connect **Wings** to verticals [2/2A], [3/3A]. See **Wing Attachment** detail.

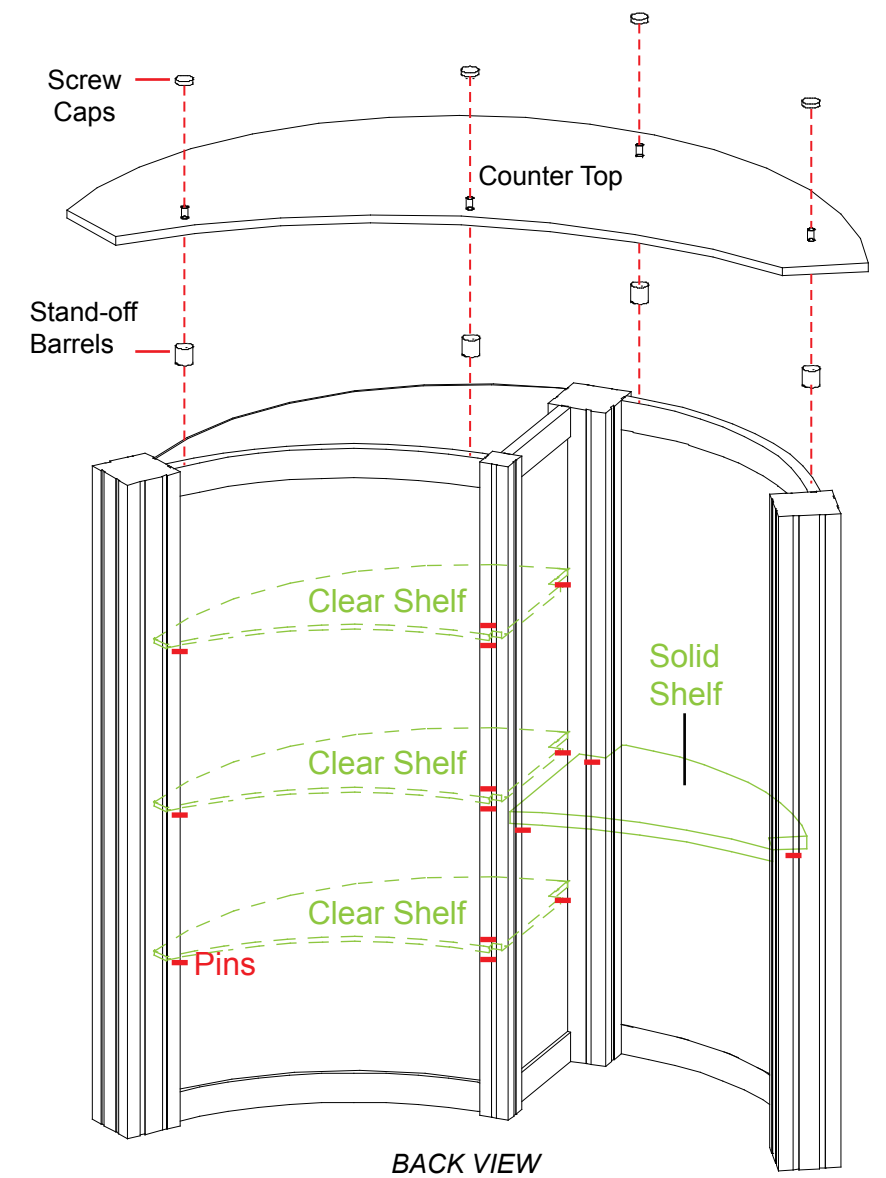
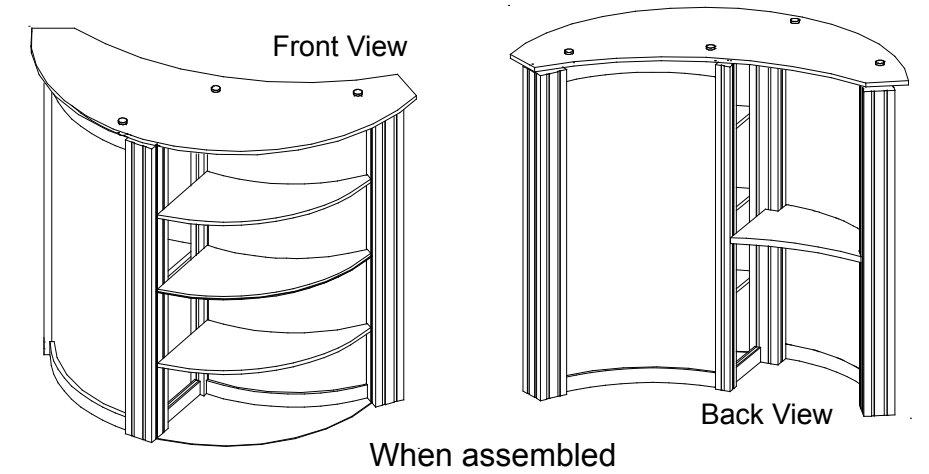
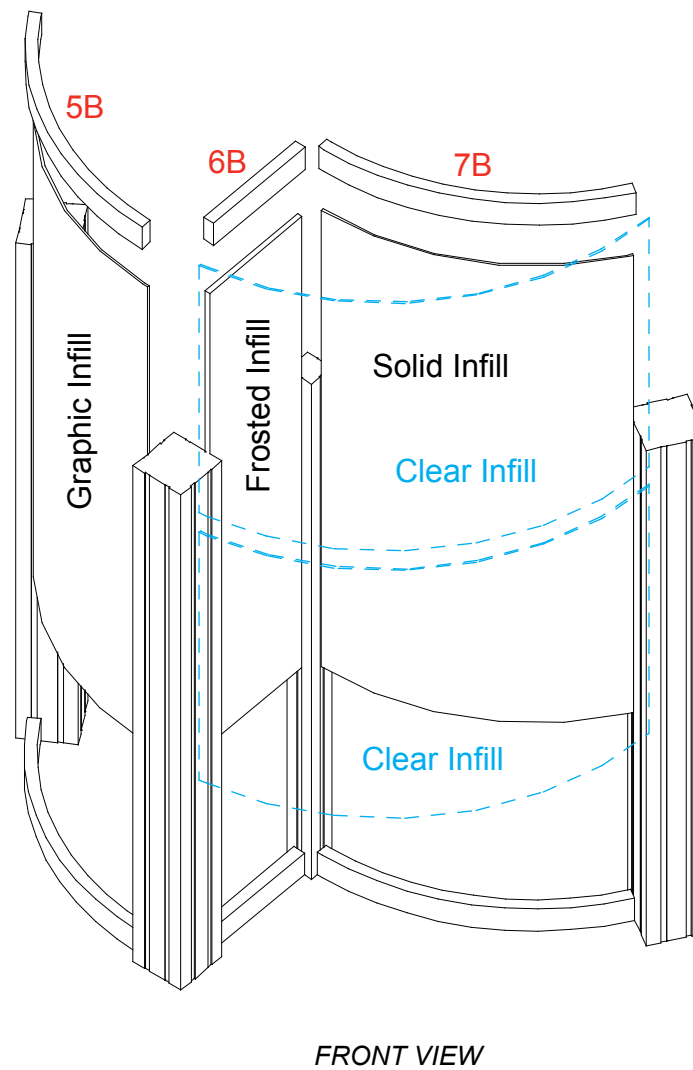
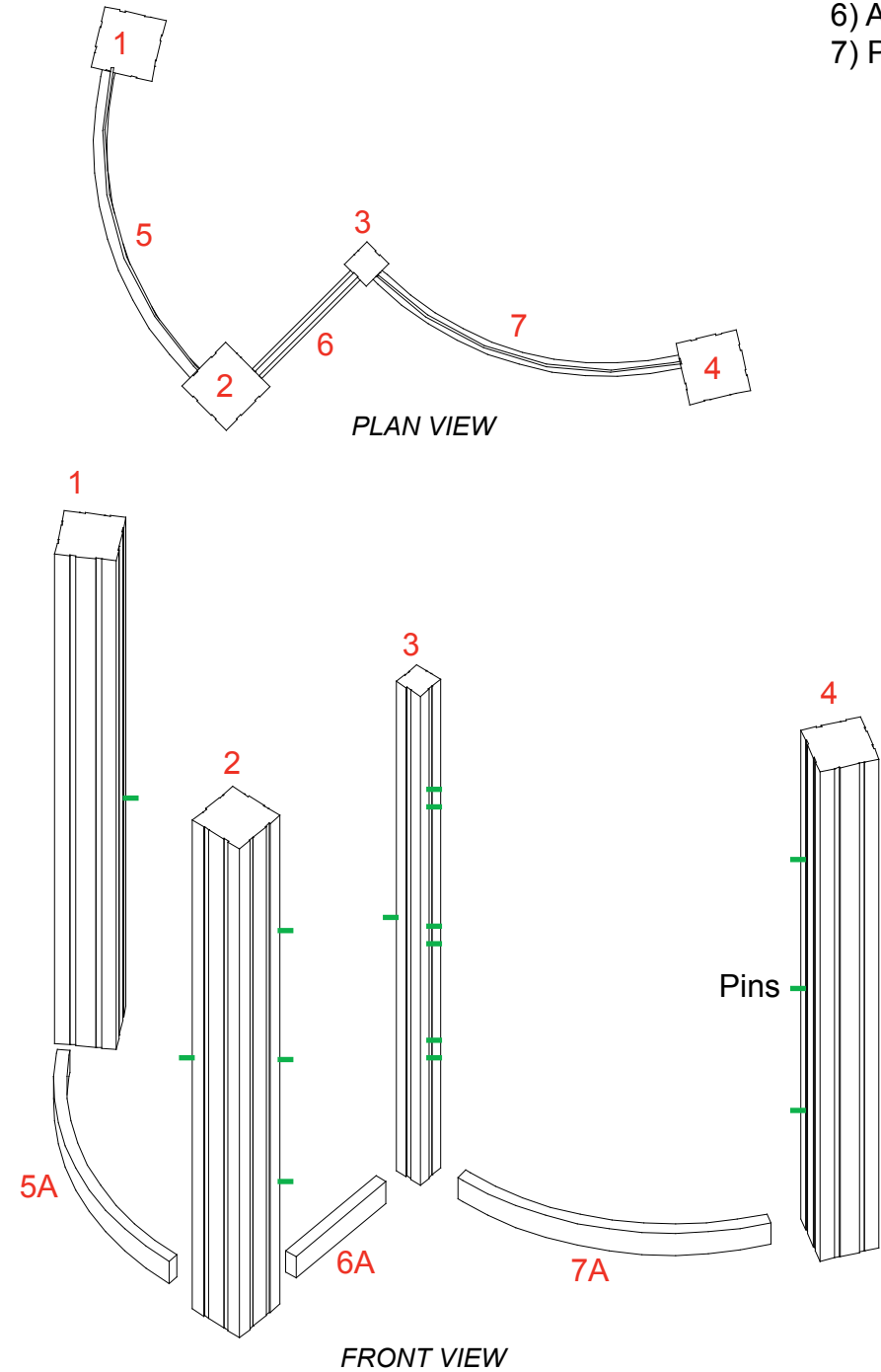


Completed Assembly

Item	Qty.	Description:
1	1	40" h Q918 Vertical Extrusion
2	1	40" h Q918 Vertical Extrusion
3	1	40" h S44 Vertical Extrusion
4	1	40" h Q918 Vertical Extrusion
5A/5B	1/1	19.25" Z45 Curved Horizontal Extrusion
6A/6B	1/1	8" w Z45 Horizontal Extrusion
7A/7B	1/1	19.25" Z45 Curved Horizontal Extrusion

Steps:

- 1) Attach lower horizontal extrusions [5A,6A,7A] between vertical extrusions [1,2,3,4] as shown.
- 2) Slide infills into place between verticals as shown except **clear infills**.
Note: Slide **clear infills** into place after three **clear shelves** are installed.
- 3) Attach upper horizontal extrusions [5B,6B,7B] between vertical extrusions [1,2,3,4] as shown.
- 4) Place **shelves** on pins as shown.
- 5) Slide **clear infills** into place after three **clear shelves** are installed.
- 6) Attach stand-off barrels to curved extrusions [5B,7B].
- 7) Place counter top on barrels and secure with screw caps.



Step 3