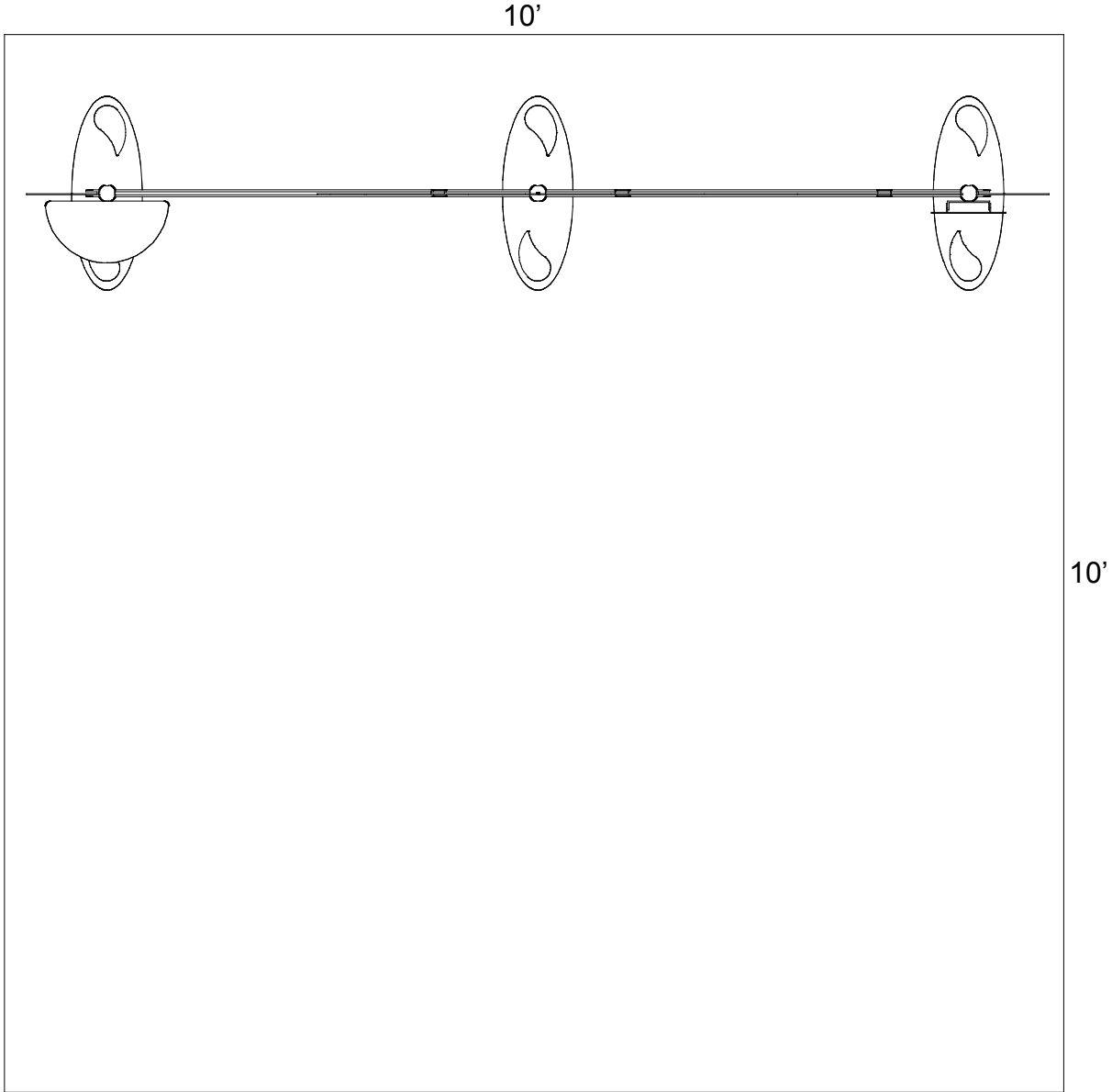
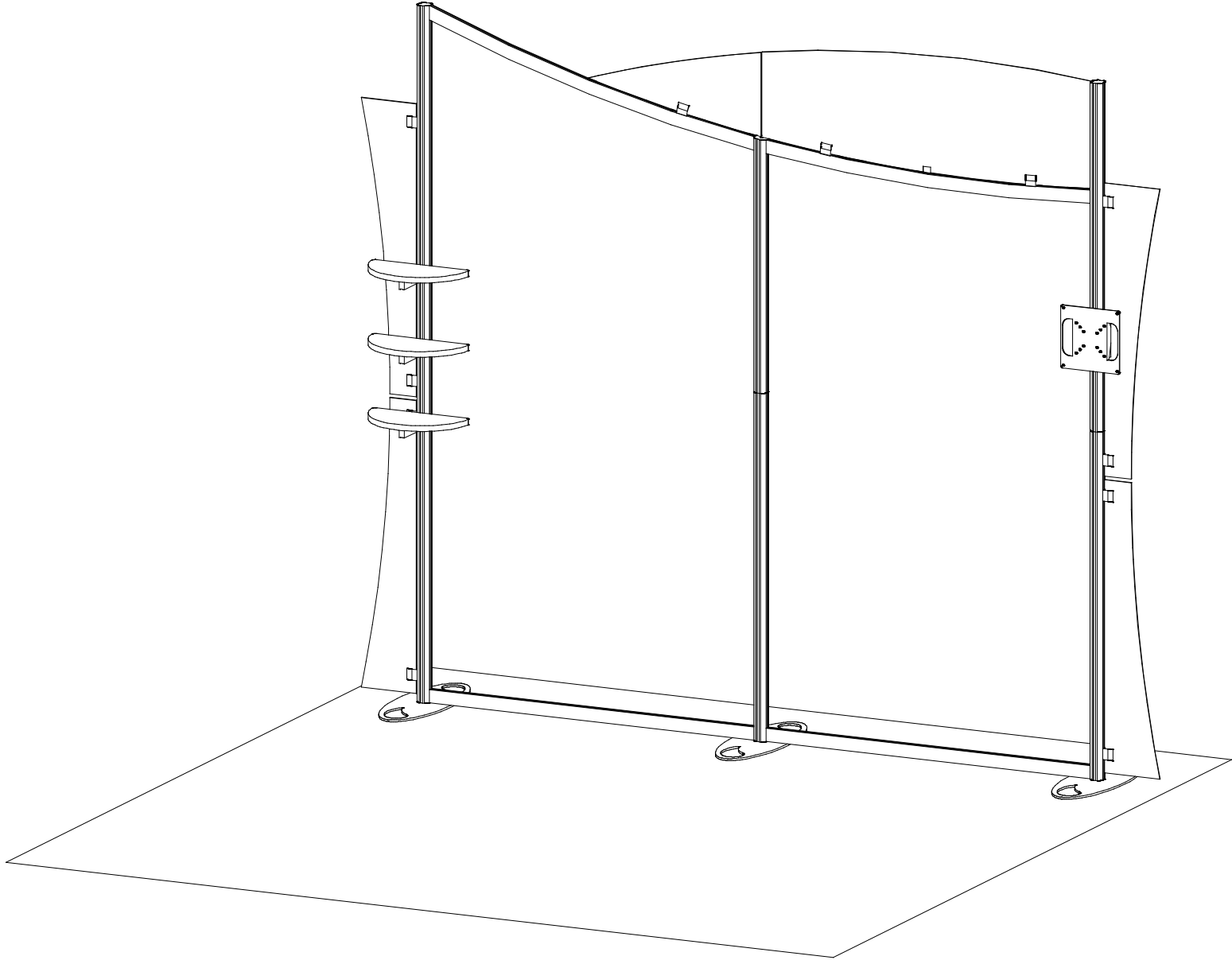


Order #XXXX ECO-1012B - 10'x10' Sustainable Exhibit



Plan View



General Setup Instructions

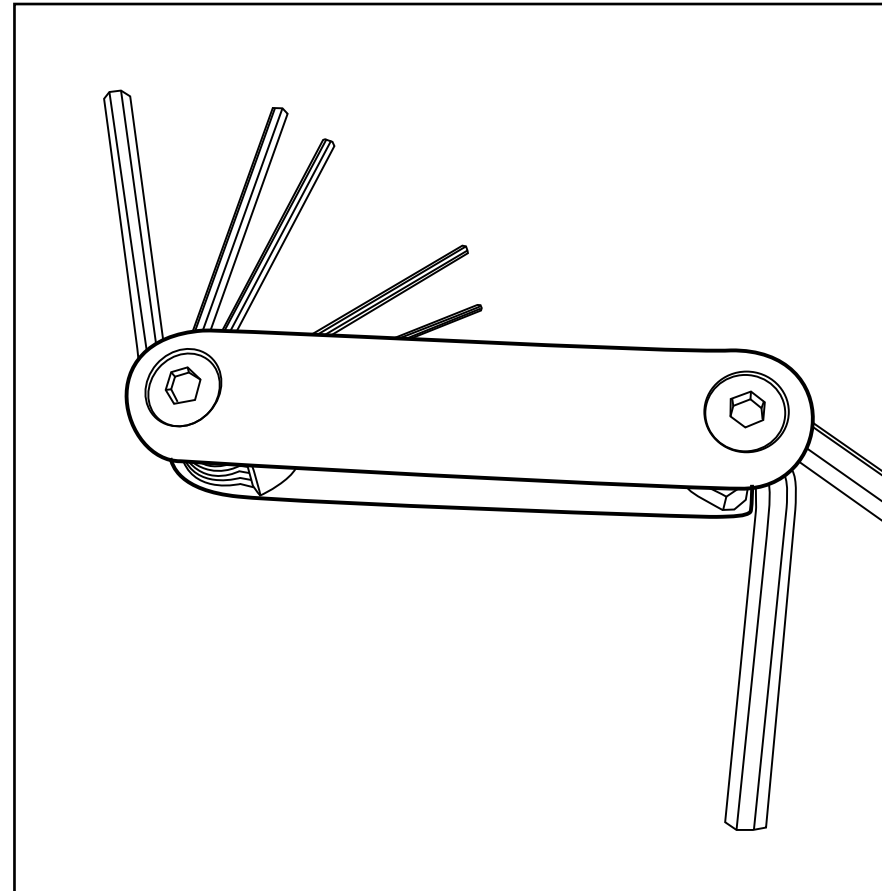
- The setup instructions are created specifically for your configuration.
- Setup instructions are laid out sequentially in levels, including exploded views and a logical series of steps for assembly. We encourage you to study the instructions before attempting to assemble your exhibit.

Cleaning and Packing

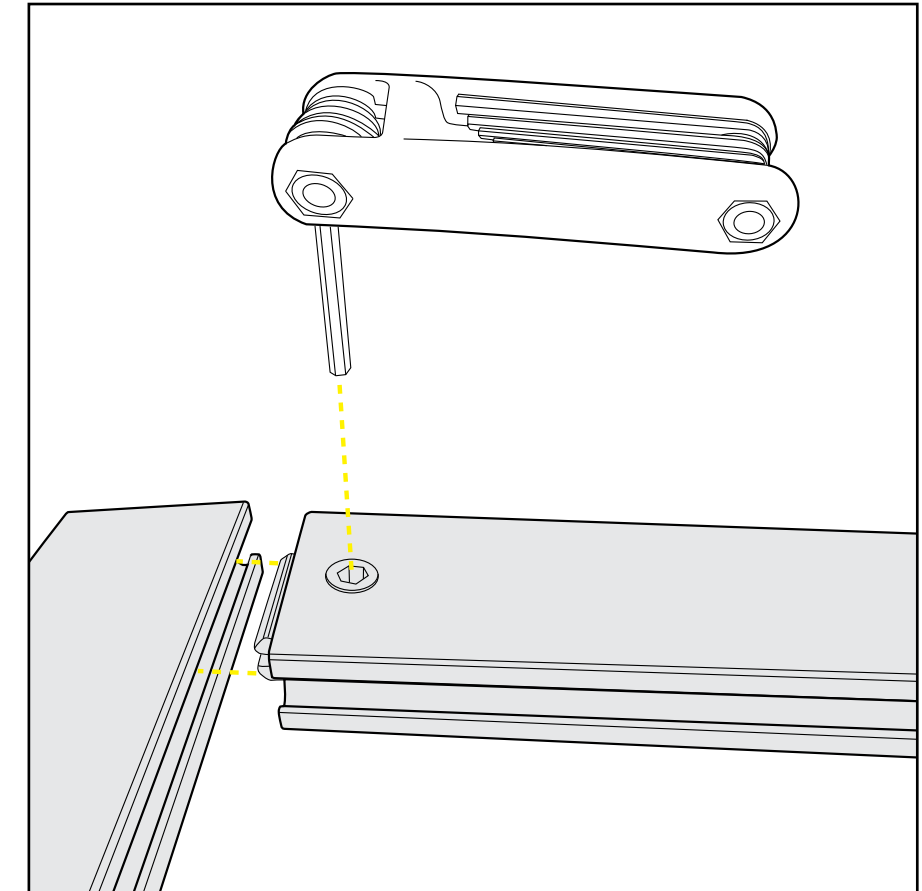
- Use non-abrasive cleaners when cleaning extrusions or ECO Glass inserts.
- Use mild cleaners and soft materials such as cotton to clean all laminates.
- Keep exhibit components away from extreme heat and long exposure to sun light. This will prevent warping and fading.
- Retain all packing material for ease of re-packing. This protects the exhibit components and keeps each part organized.

Disassembling

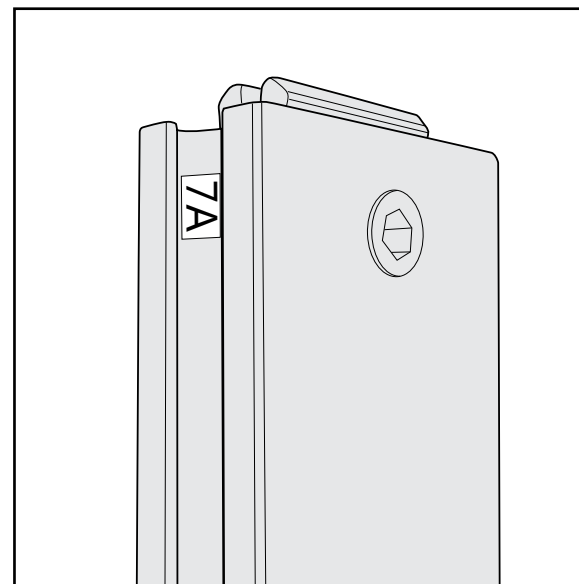
- When disassembling exhibit, tighten all setscrews to prevent loss of hardware in the shipping process.



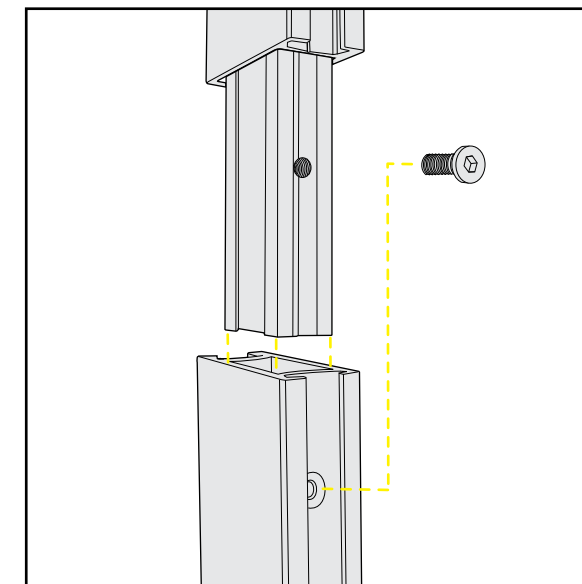
Hex Tool for Assembling Exhibit



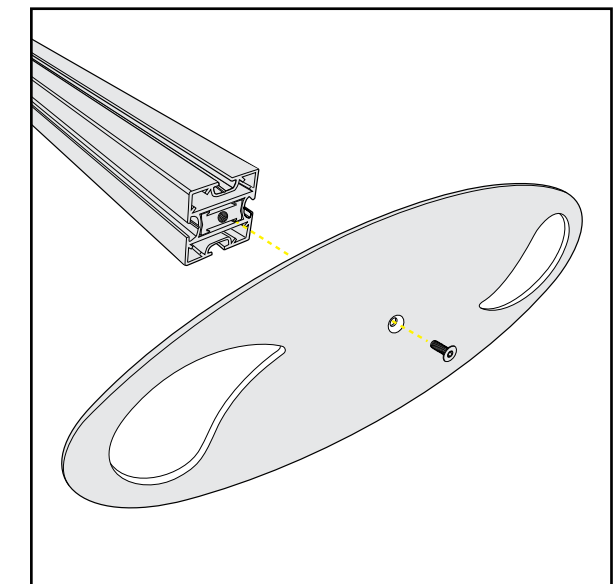
Extrusion Lock Connectors



Numbering Instructions for Setups/Packing



Inline Connection between Extrusions



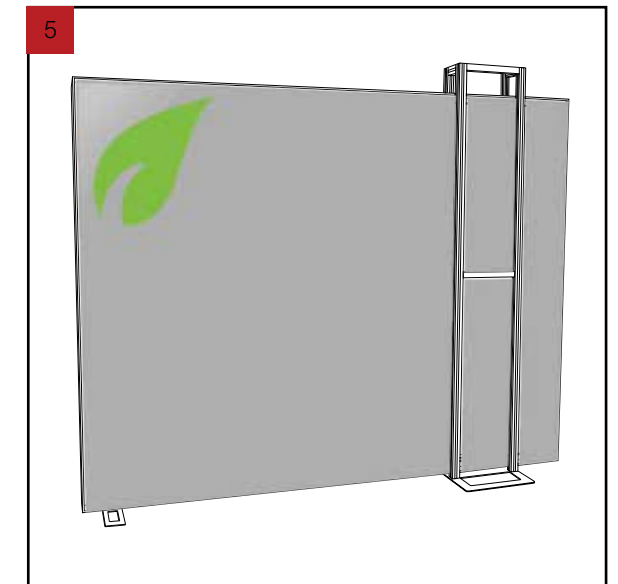
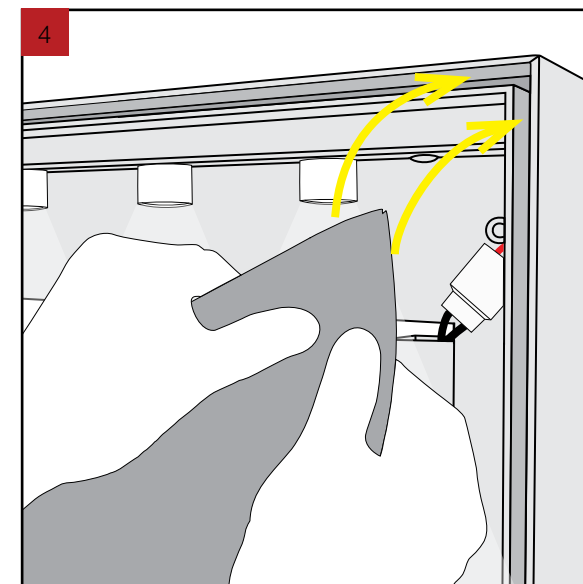
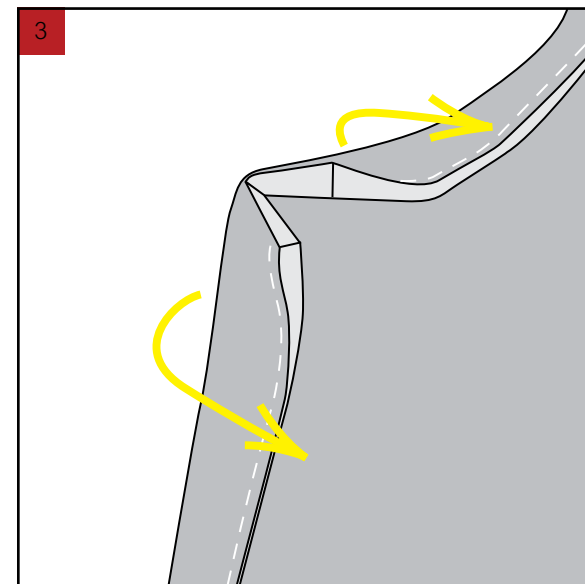
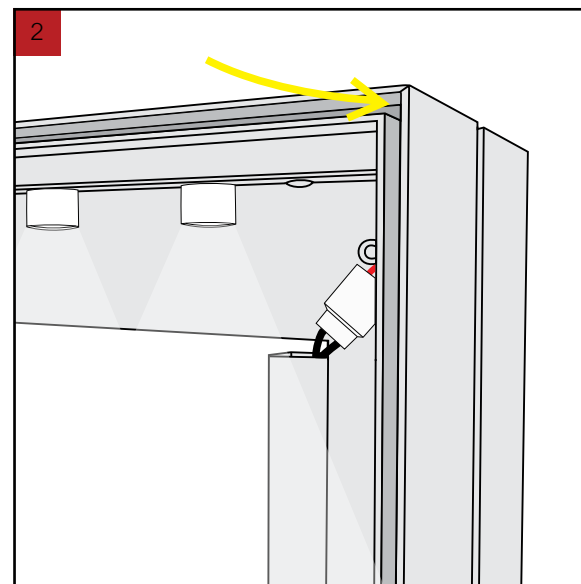
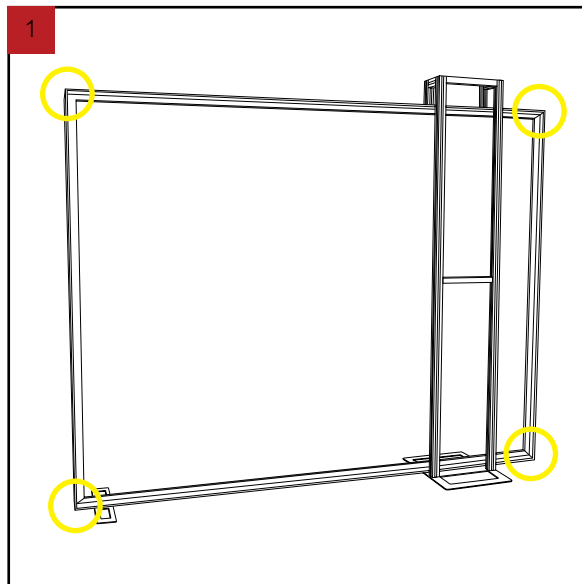
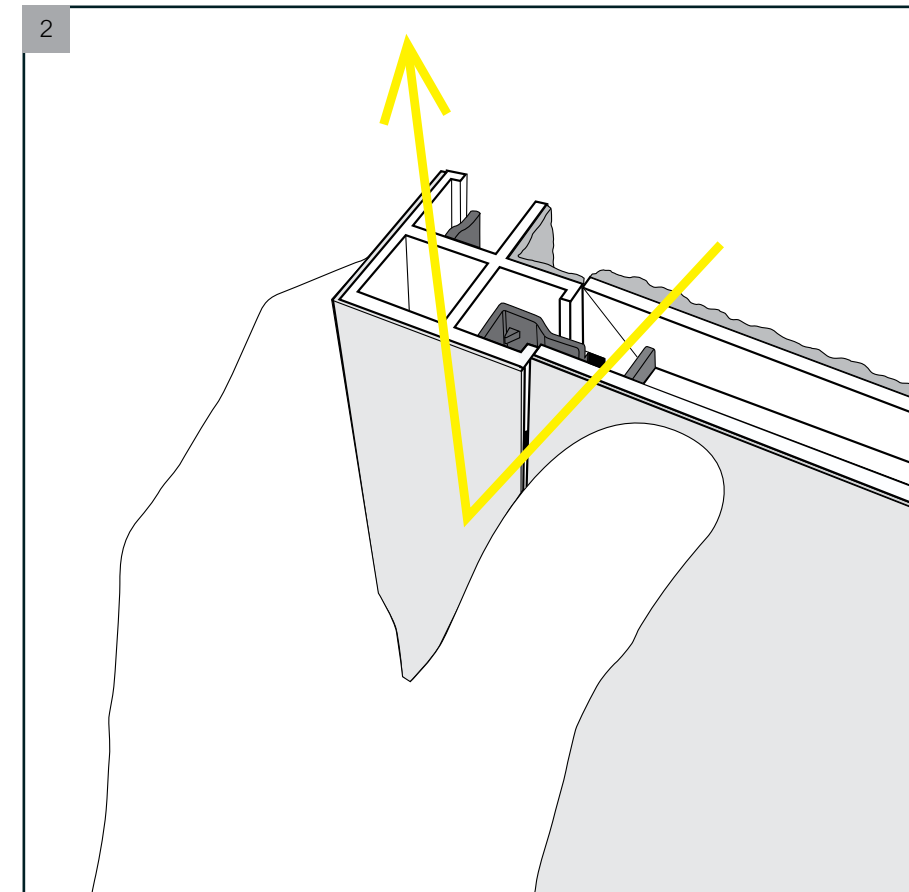
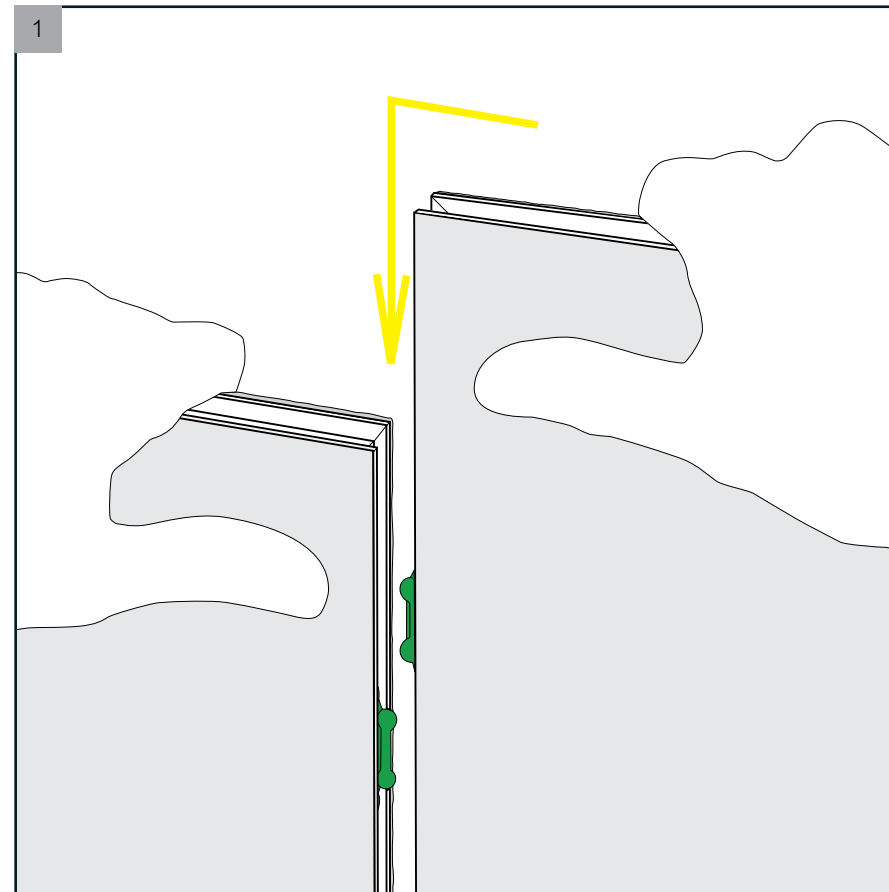
Baseplate Connection for Vertical Extrusions

ECO Panel Install

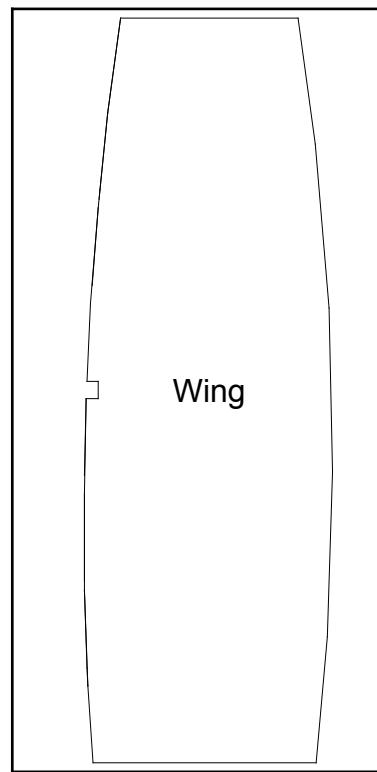
- 1 Place ECO panel together with a vertical offset, slide down to lock connector in place.
- 2 Panel Corner Connectors are installed just like ECO panels. Remove by off-setting top lock clips horizontally followed by separating vertically.

SEG Graphic Install

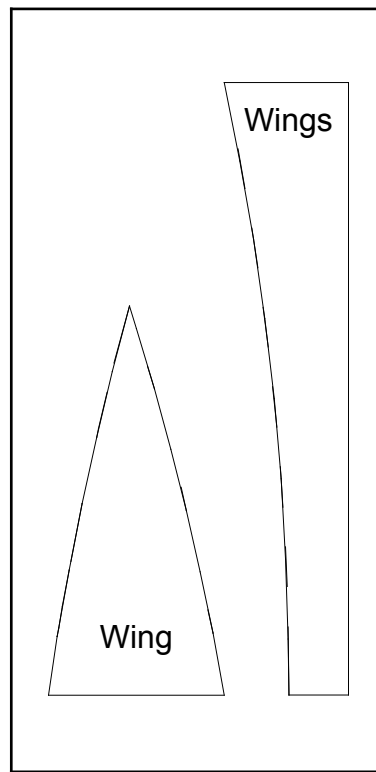
- 1 Graphic is installed corners first. This allows a proportional fit around the perimeter of the extrusion.
- 2 Locate channels along the edge of the extrusions.
- 3 Fold over graphic (hiding threads) and tuck silicon edge and fabric into corners.
- 4 After corners are complete, slide in the rest of the graphic into channel. (From edges to center)
- 5 Graphic is installed. Stand back and be amazed!



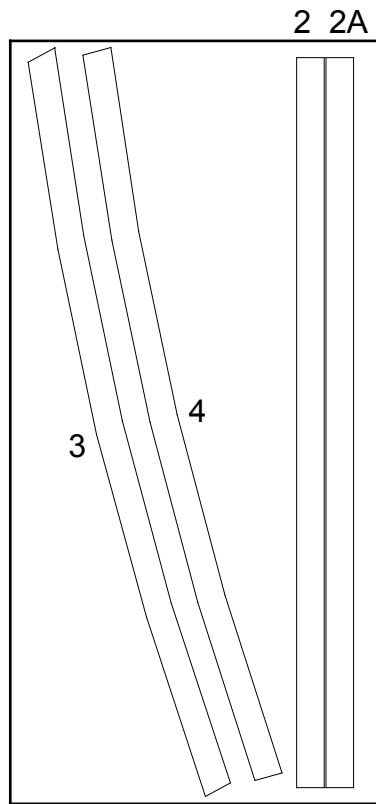
Top View of Each Level



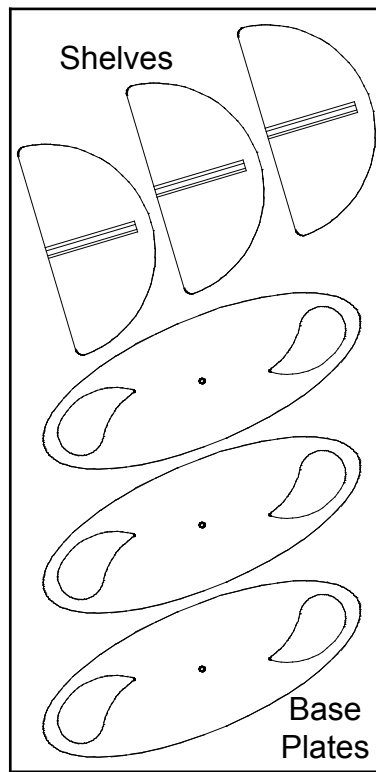
Level 1



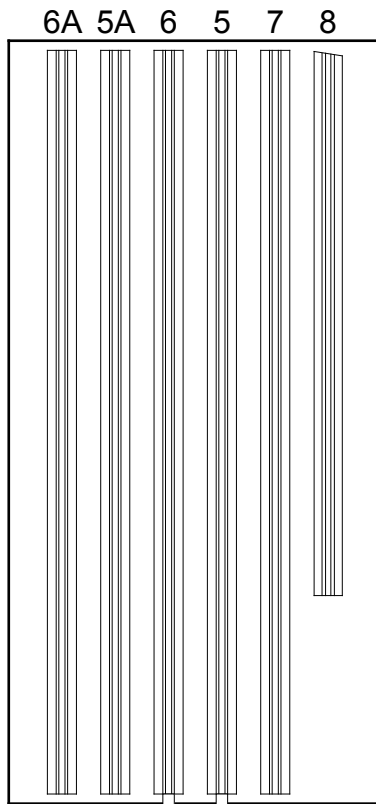
Level 2



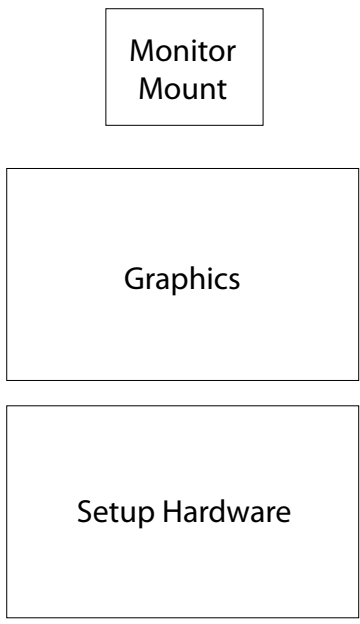
Level 3



Level 4



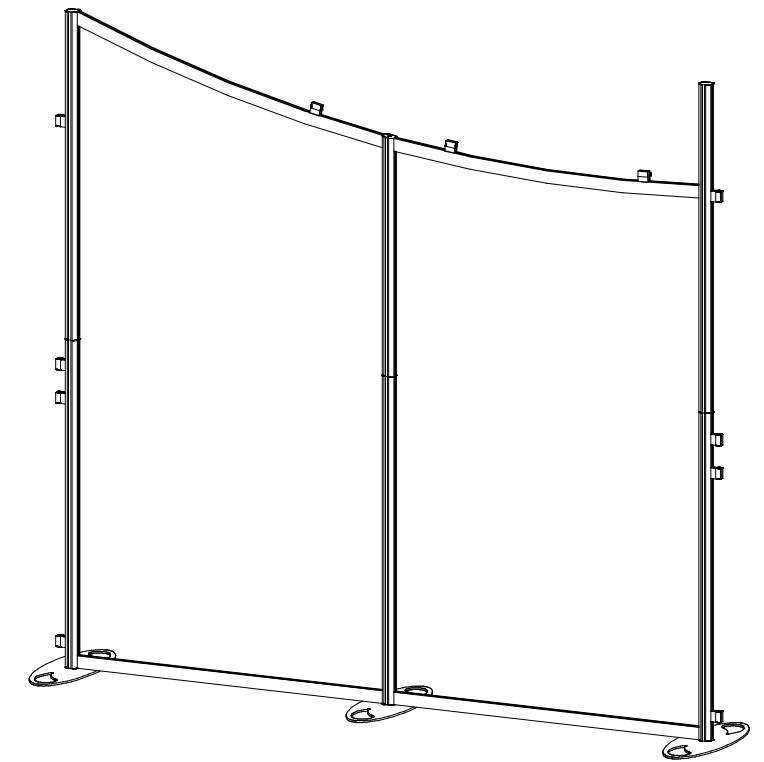
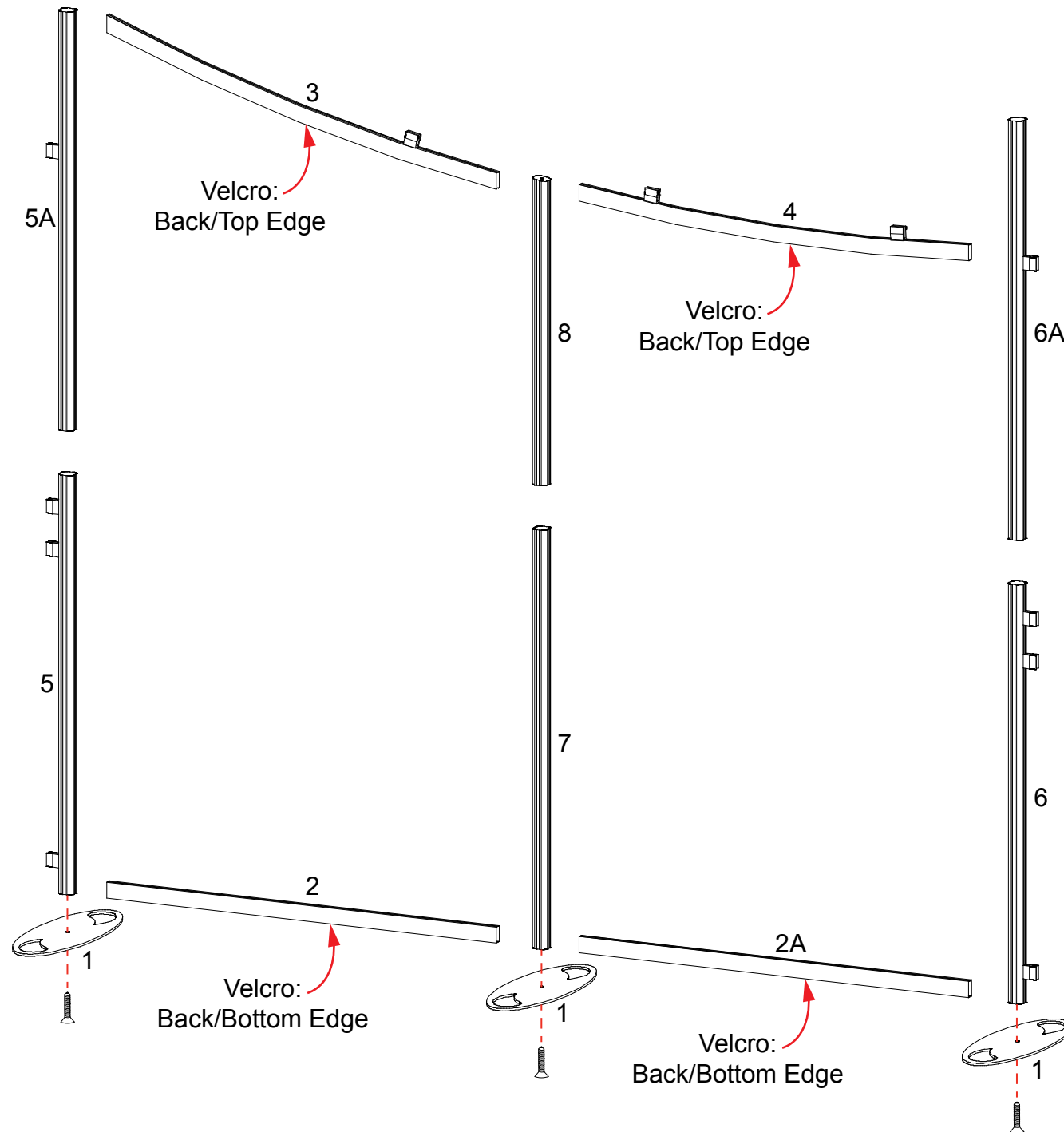
Level 5



Steps:

- 1) Attach Base Plates [1] Vertical Extrusions [5,6,7].
- 2) Attach upper Vertical Extrusions [5A,6A,8] to lower Vertical Extrusions.
- 3) Connect Horizontal Extrusions [2,2A,3,4] between Vertical assemblies.
- 4) Apply graphics to Velcro on back of assembled Backwall.

Item	Qty.	Description
1	3	Base Plate
2/2A	1/1	47" Z45 Horizontal Extrusion
3	1	49.43" Z45 Curved Horizontal Extrusion
4	1	47.5" Z45 Curved Horizontal Extrusion
5/5A	1/1	47" RSG540 Vertical Extrusion
6/6A	1/1	47" RSG540 Vertical Extrusion
7	1	47" RSG540 Vertical Extrusion
8	1	34.364" RSG540 Vertical Extrusion with Mitred End



Completed Backwall Assembly

Step 1

