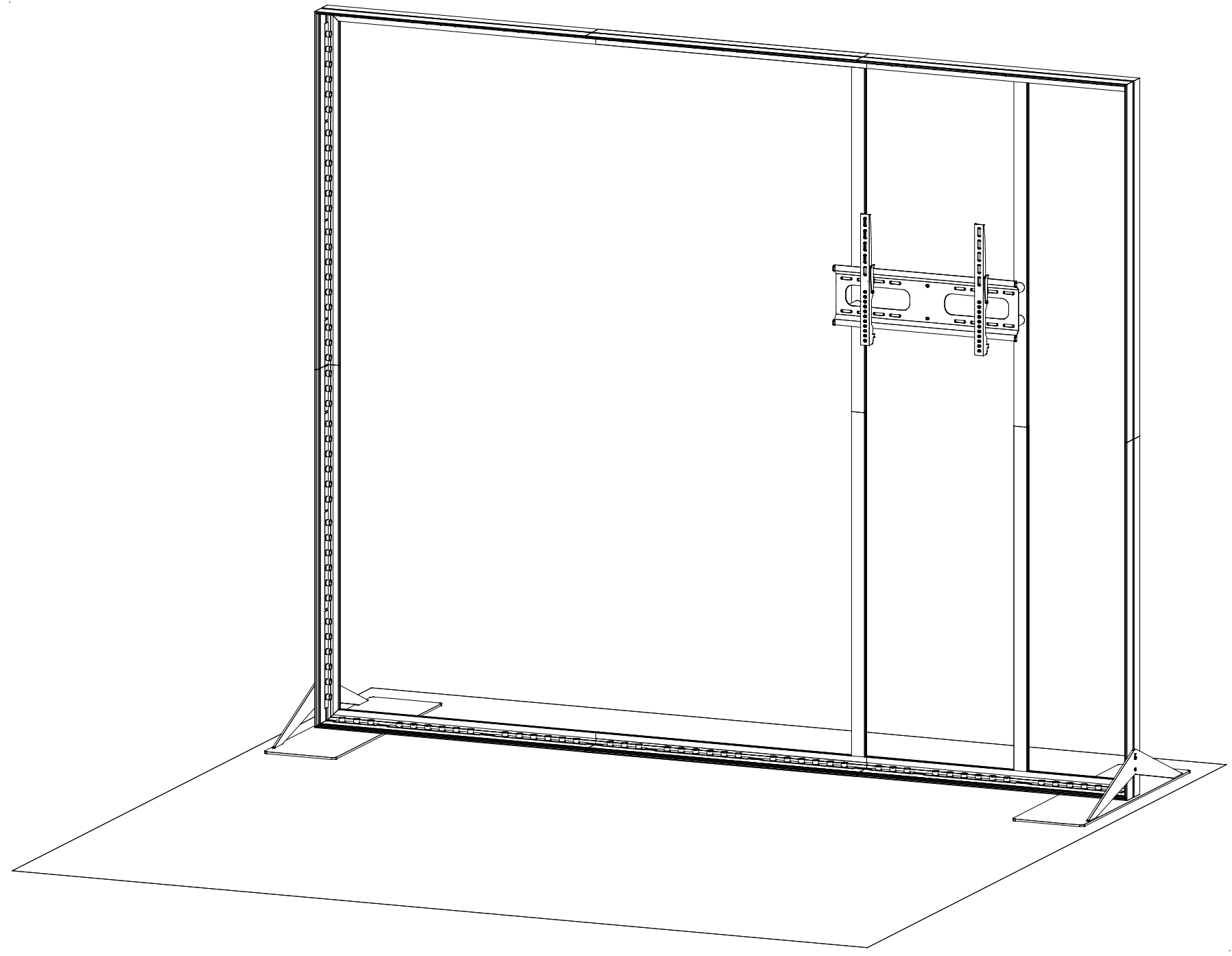
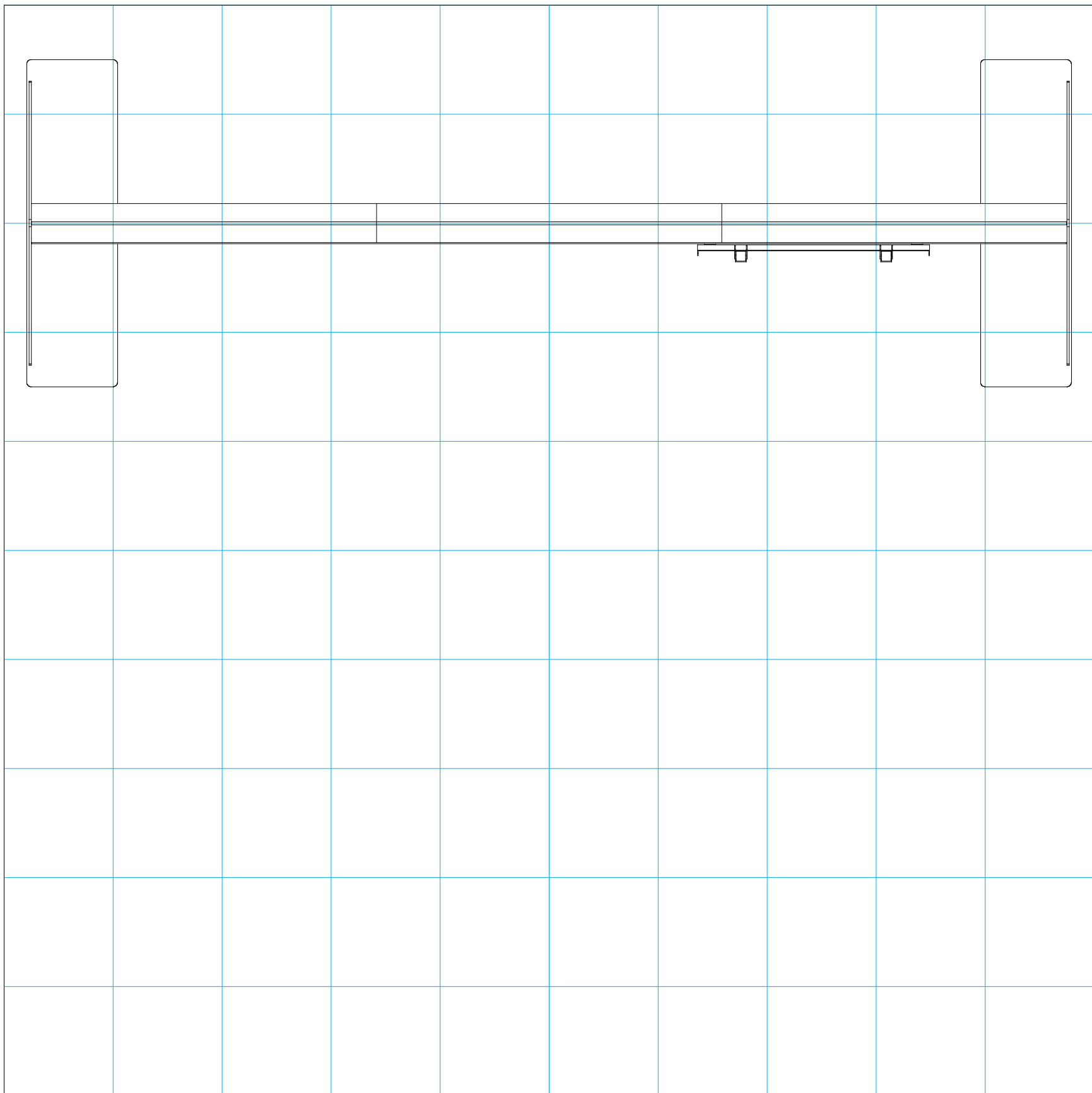


Plan View 10'



# ***SETUP INSTRUCTIONS***



= 1 sq foot

## General Setup Instructions

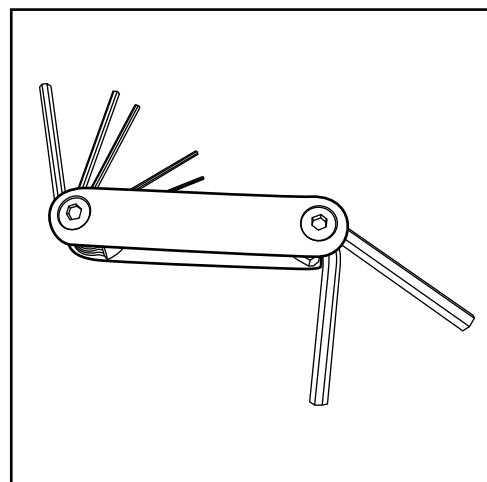
- Read entire setup instruction manual prior to unpacking parts and pieces.
- The setup instructions are created specifically for this configuration.
- Setup instructions are laid out sequentially in steps, including exploded views with detailed explanation for assembly.

## Cleaning & Packing

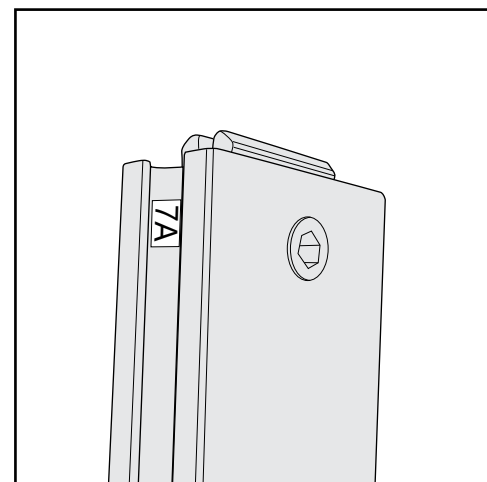
- For Cleaning Metal, Plex, & Laminate Parts: Use a **MILD NON-ABRASIVE** cleanser and soft cloth/paper towel to clean all surfaces.
- Keep exhibit components away from heat and prolonged sun exposure. **Heat and UV exposure will warp and fade components.**
- Retain all provided Packing Materials. All provided packing materials are for ease of repacking & component protection.

## Disassembly

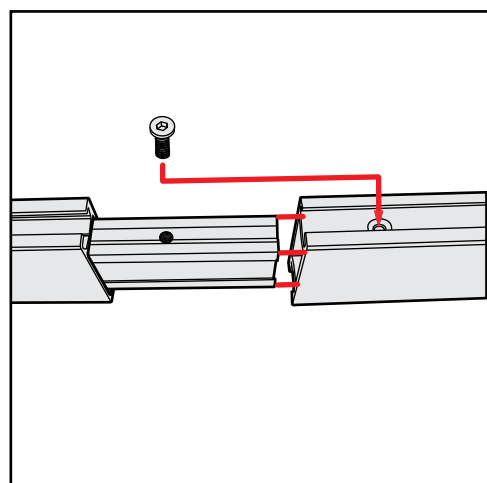
- For loss prevention, tighten all set screws and locks during disassembly.



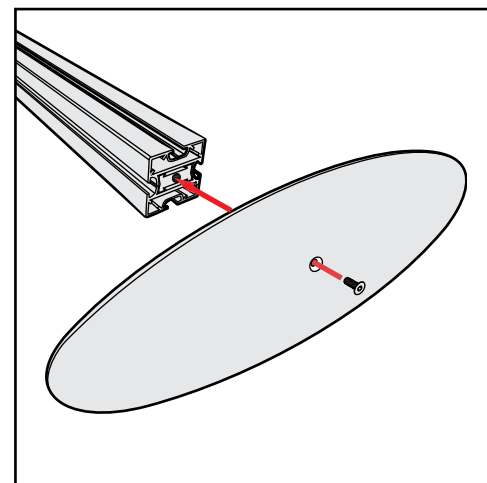
Hex Tool - Essential for Assembly



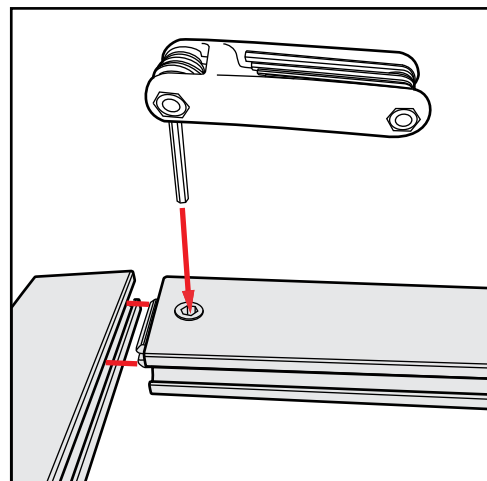
Part Identification - Numbering



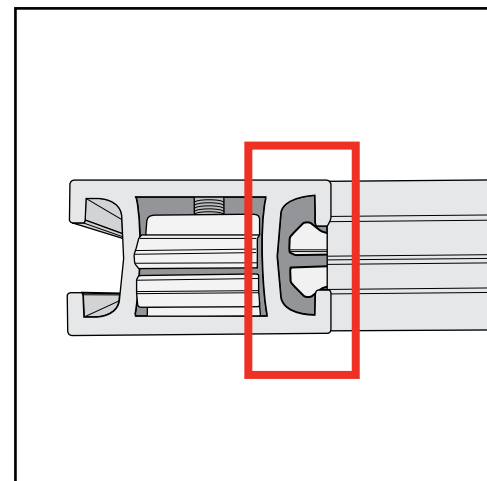
Spline Connection



Base Plate & Extrusion Connection



Extrusion & Lock Connection



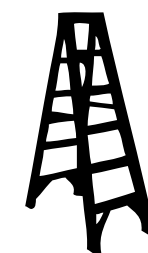
Engaged Lock



**WARNING**



DO NOT USE POWER TOOLS



LADDERS OR LIFTS  
MAY BE REQUIRED

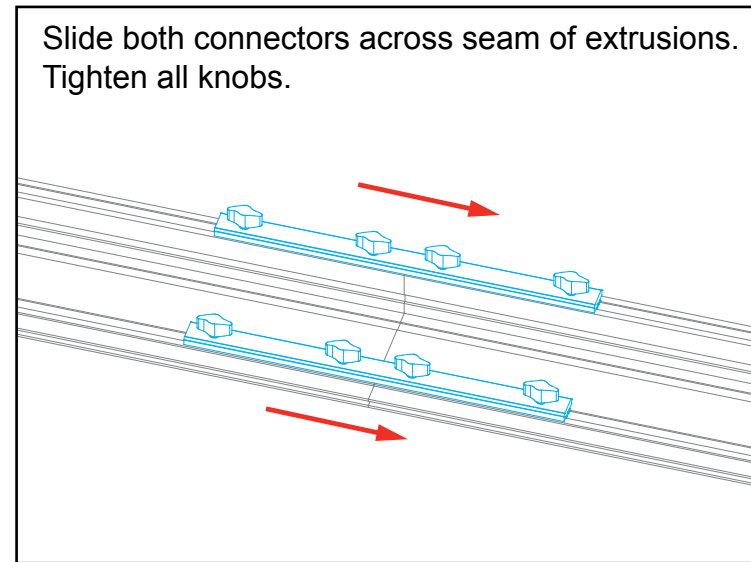
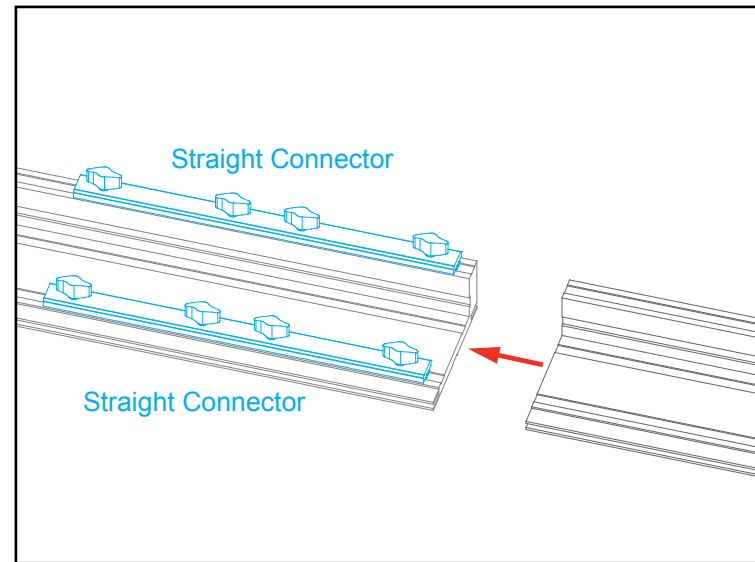


ALL CONNECTIONS MUST  
BE TIGHTLY SECURED

## Straight Connection

When assembling frame, first attach all **straight connectors**, then attach **corner connectors**.

- 1) Place extrusions end-to-end.
- 2) Loosen all knobs, then slide **straight connectors** across the seam of extrusions.
- 3) Tighten all knobs to secure connection.



All knobs must be tightened securely to ensure a proper connection.

## Disassembly

- 1) Loosen all knobs.
- 2) Slide connectors off of one extrusion.
- 3) Tighten knobs to prevent loss during packing & shipping.

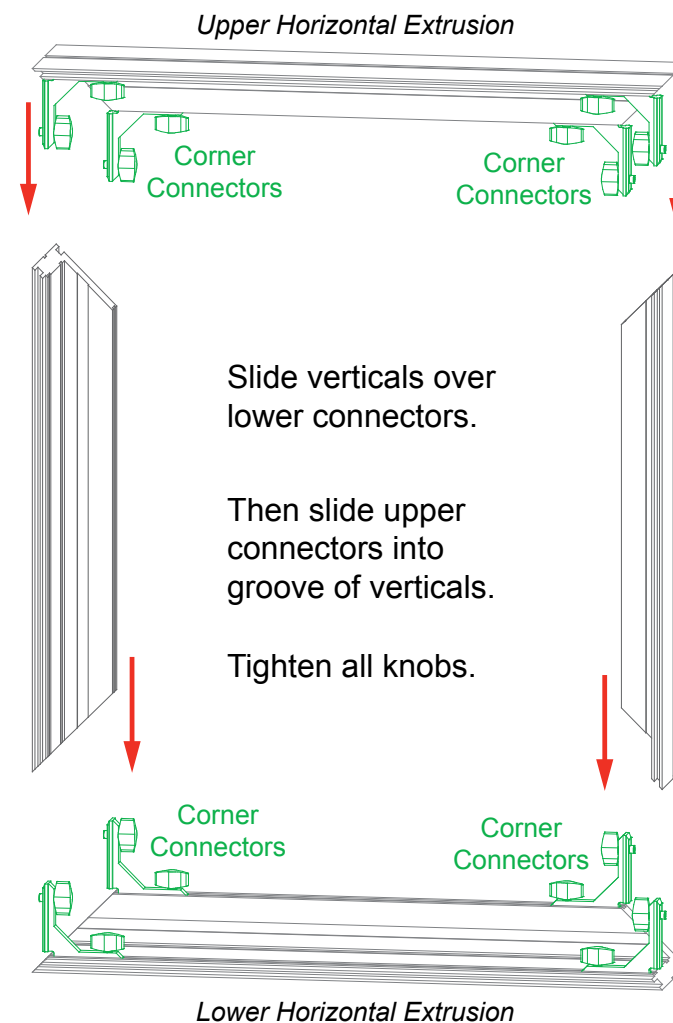
Keep straight connectors in groove of extrusion. Do not remove connectors during disassembly.

## Corner Connection

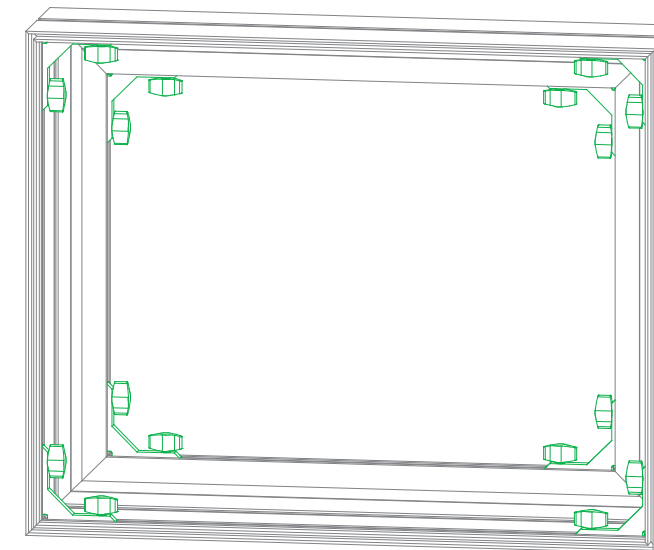
- 1) Loosen knobs, then slide vertical extrusions onto **corner connectors** of **lower** horizontal extrusion.
- 2) Slide **corner connectors** of **upper** horizontal extrusion into grooves of vertical extrusions.
- 3) Tighten all knobs to secure connection.

## Disassembly

- 1) Loosen knobs on vertical extrusions.
- 2) Slide the vertical extrusions off of **corner connectors** on lower and upper horizontal extrusions.

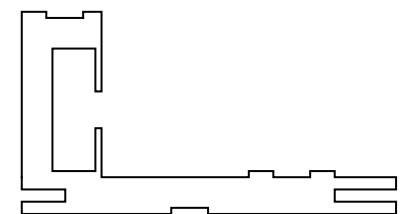


Adjust connectors if necessary to prevent gaps in connection.



COMPLETED ASSEMBLY

All knobs must be tightened securely to ensure a proper connection.

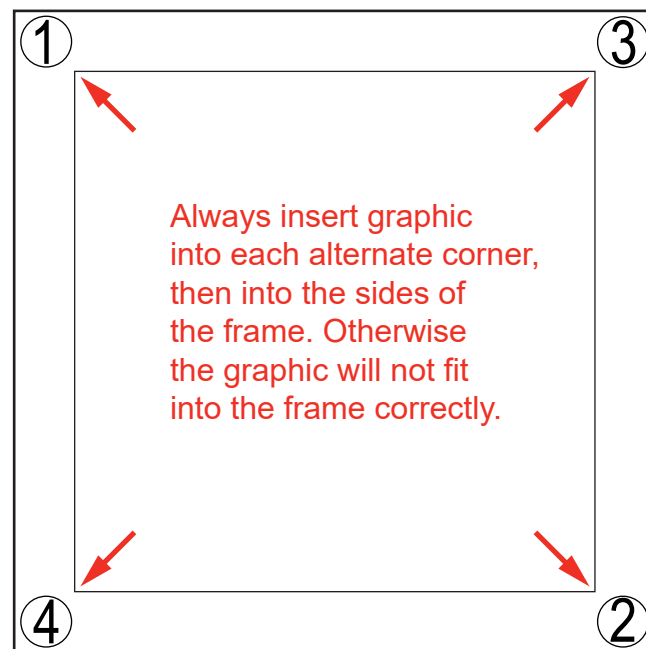


CEI110 Profile

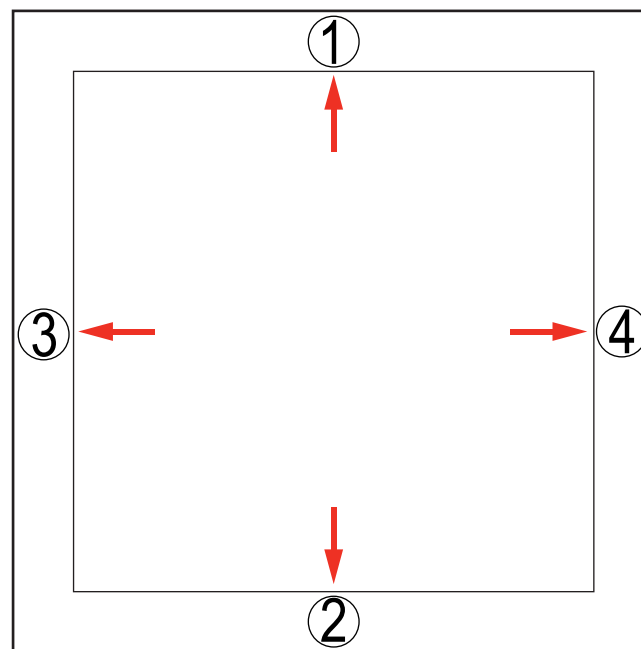
*The Perfect Fit*

# SEG Graphic Installation *in 3 Steps*

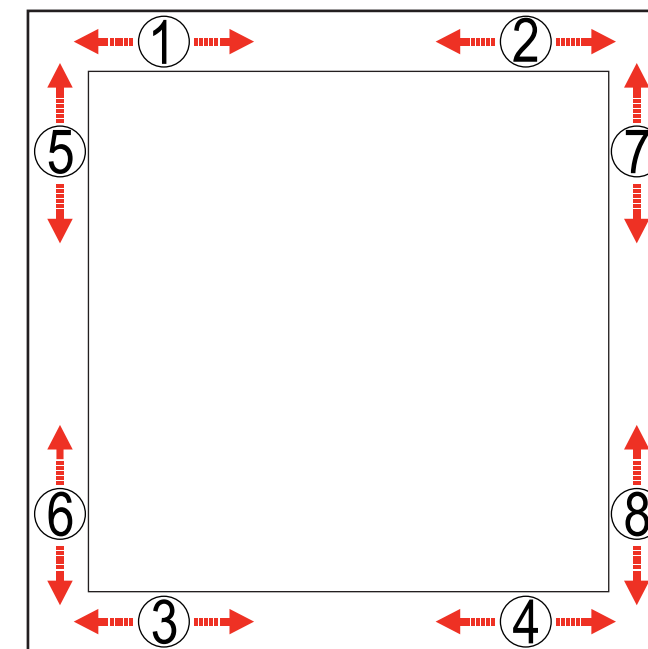
## STEP 1: Attach Corners



## STEP 2: Attach Middle



## STEP 3: Attach Sides



Insert narrow side of silicone welt into the channel at corner 1, with fabric to the outside.

Repeat for opposite corner 2, then corner 3, then corner 4.

Once corners are attached, press the middle of edge 1 into the channel. Then press middle of edge 2 into the channel on opposite side.

Repeat with edge 3 & 4.

Once the middle of sides are attached, fully press the silicone welt into the channel, between center and corner at location 1. Repeat the process between center and corner at location 2.

Do the same for welt on opposite side, at locations 3 & 4. Then repeat for locations 5 & 6 and 7 & 8.

Once the welt is fully inserted on all sides, smooth out edges as needed for a perfect fit.

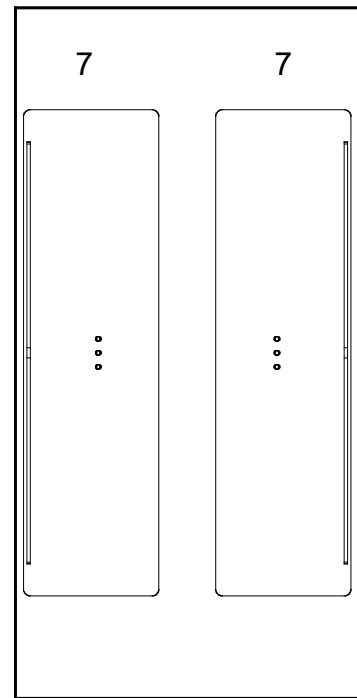


To remove the graphic from the frame, locate the fabric **pull tab**. Gently pull on the tab to remove the graphic.

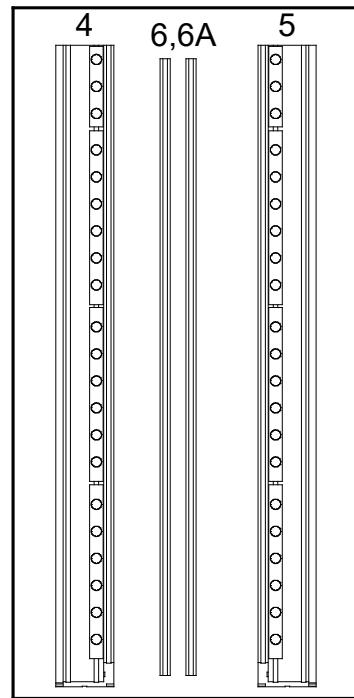
Install video:



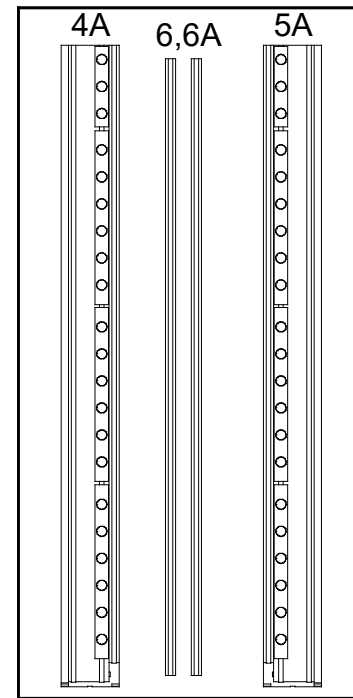
### Top View of Each Level



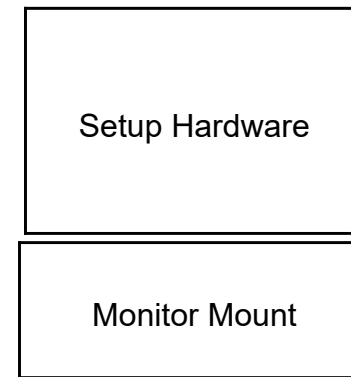
Level 1  
(Bottom level)



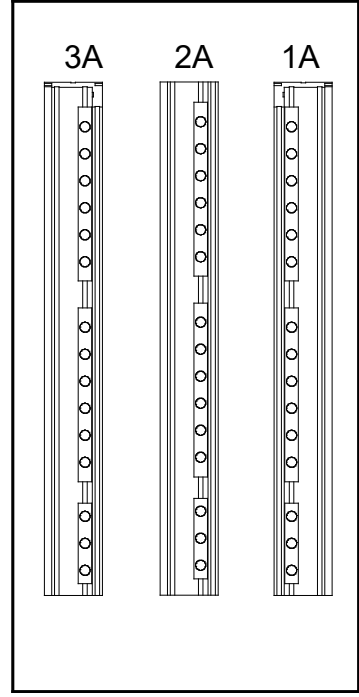
Level 2



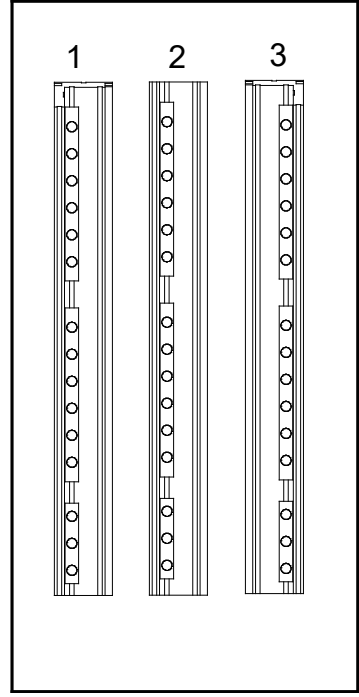
Level 3



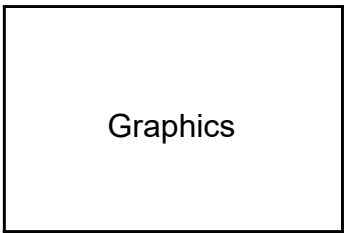
### Top View of Each Level



Level 1  
*(Bottom level)*



Level 2



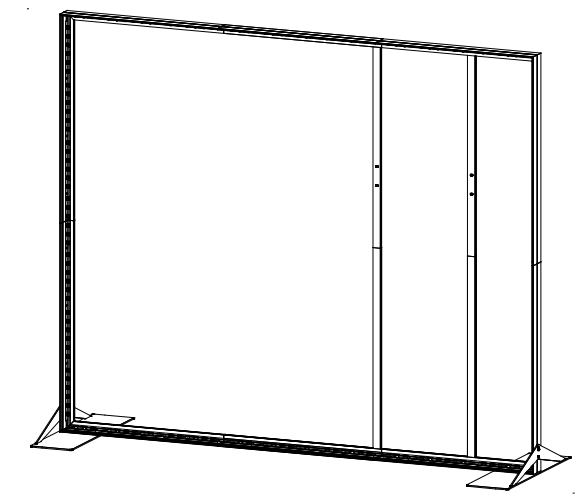
| Item | Qty. | Description                     |
|------|------|---------------------------------|
| 1,1A | 1,1  | 38" CEI110 Horizontal Extrusion |
| 2,2A | 1,1  | 38" CEI110 Horizontal Extrusion |
| 3,3A | 1,1  | 38" CEI110 Horizontal Extrusion |
| 4,4A | 1,1  | 47.5" CEI110 Vertical Extrusion |
| 5,5A | 1,1  | 47.5" CEI110 Vertical Extrusion |
| 6,6A | 2,2  | 45.677" Z45 Vertical Extrusion  |
| 7    | 2    | Base Plate                      |

Assemble frame flat on ground.

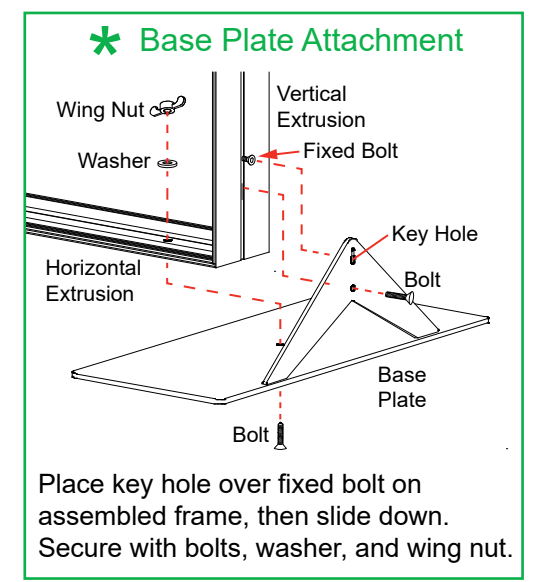
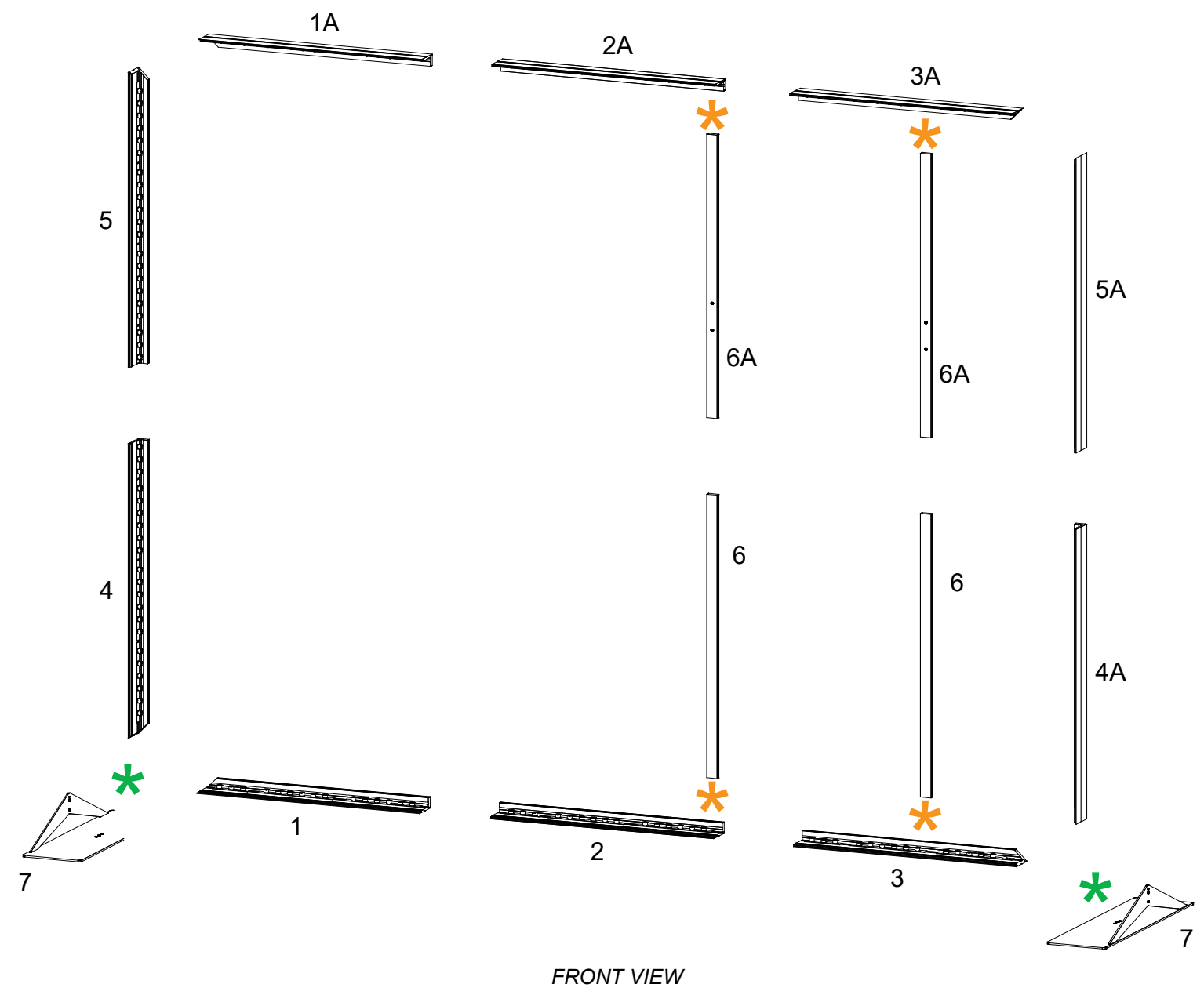
**Steps:**

Refer to the CEI110 Frame Assembly general information page.

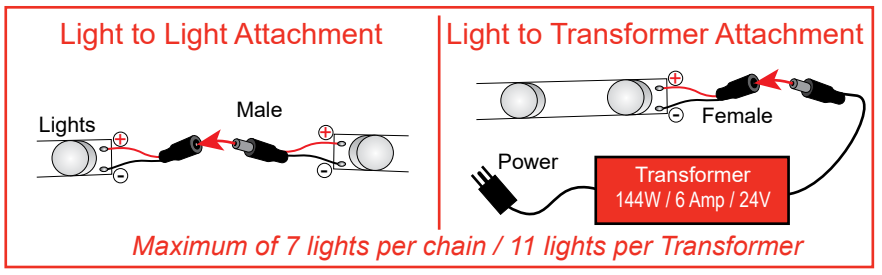
- 1) Assemble horizontals [1-2-3], [1A-2A-3A] & verticals [4-5], [4A-5A] using tool-less spline connectors.
- 2) Connect vertical assemblies [1/2/3], [1A/2A/3A] between horizontals [4/5], [4A/5A] using tool-less corner connectors.
- 3) Attach verticals [6-6A] between horizontal assemblies [1/2/3], [1A/2A/3A]. See **Z45 Attachment** detail.
- 4) Connect Base Plates [7] to assembled frame. See **Base Plate Attachment** detail.



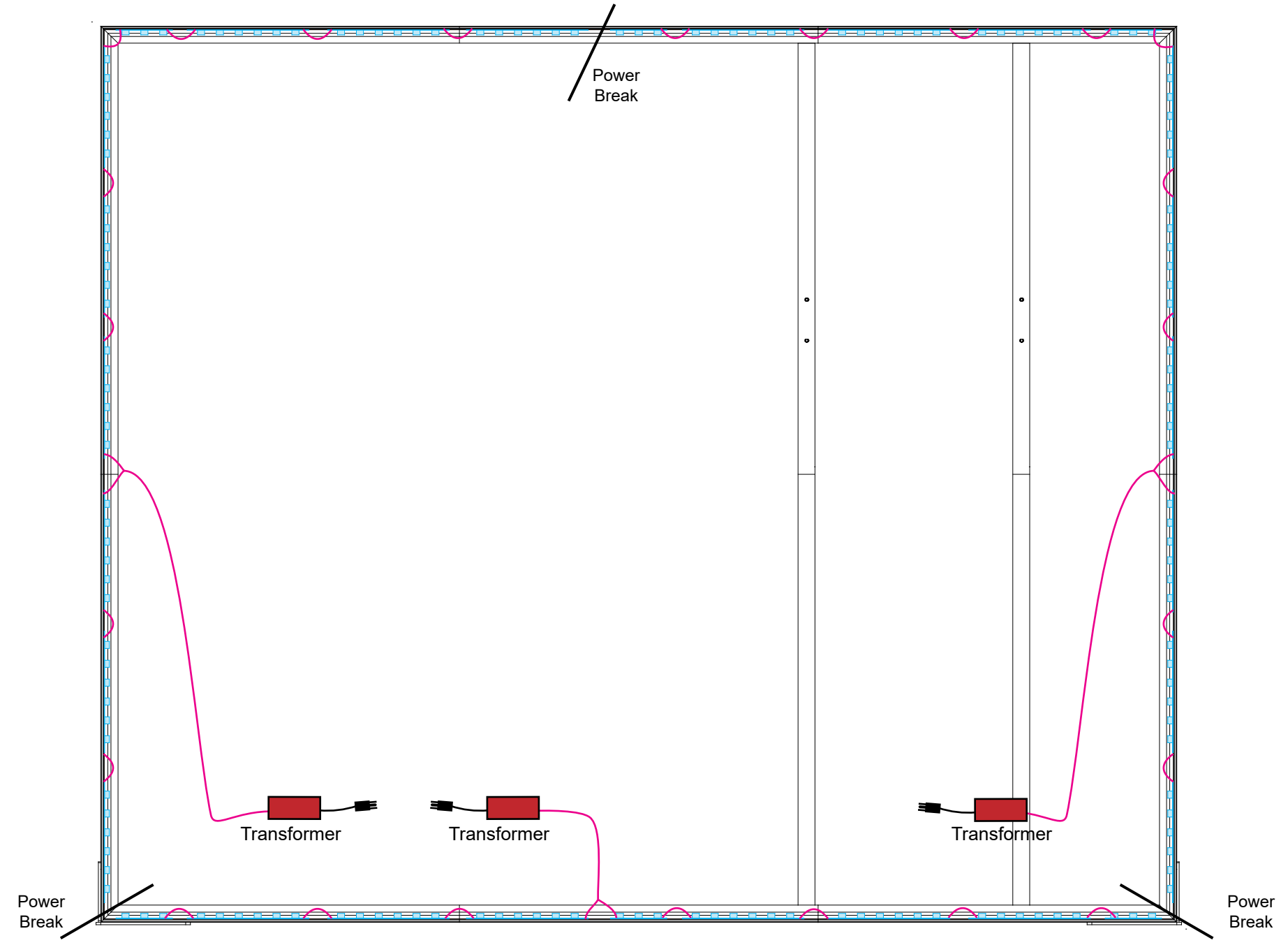
When assembled







Steps:  
1) Connect power cords to Supernova lights, as shown.



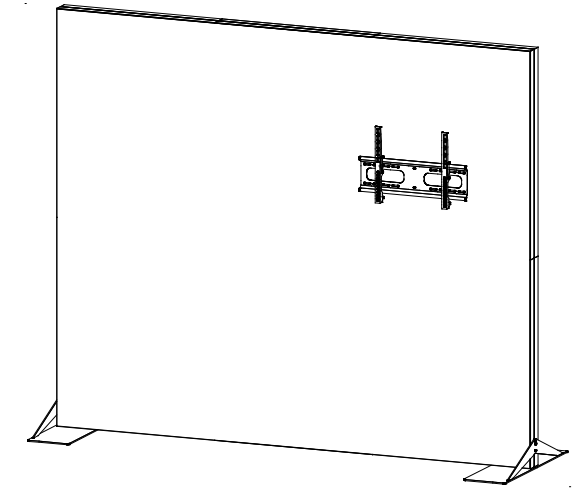
ELEVATION VIEW

| Item | Qty. | Description         |
|------|------|---------------------|
| --   | 4    | Standoff Barrel     |
| --   | 1    | Large Monitor Mount |

Steps:

Refer to the SEG Installation general information page.

- 1) Apply SEG Graphic to front of assembled frame.
- 2) Install Monitor Mount to verticals [6/6A] using standoff barrels.  
See [Monitor Mount Attachment](#) detail.
- 3) Apply SEG Blocker to back of assembled frame.

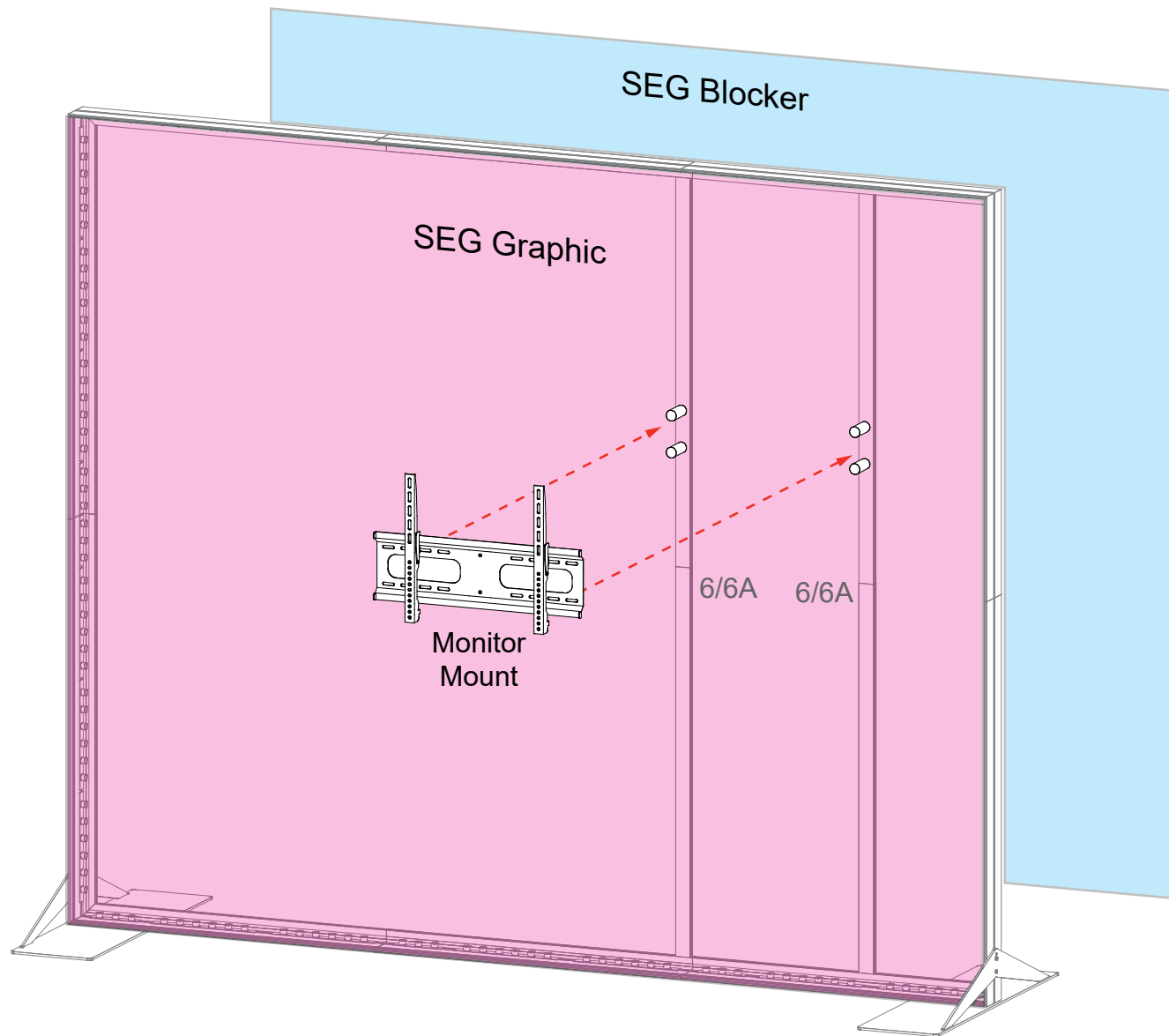


When assembled

**\* Monitor Mount Attachment**

The diagram shows a monitor mount being attached to a vertical extrusion. A standoff barrel is inserted into the extrusion, and the monitor mount is secured to it with a cap. The entire assembly is shown in relation to an SEG Graphic panel.

Screw standoffs into vertical extrusions. Attach monitor mount to standoffs, using caps  
**Standoffs attach through SEG graphic.**



FRONT VIEW