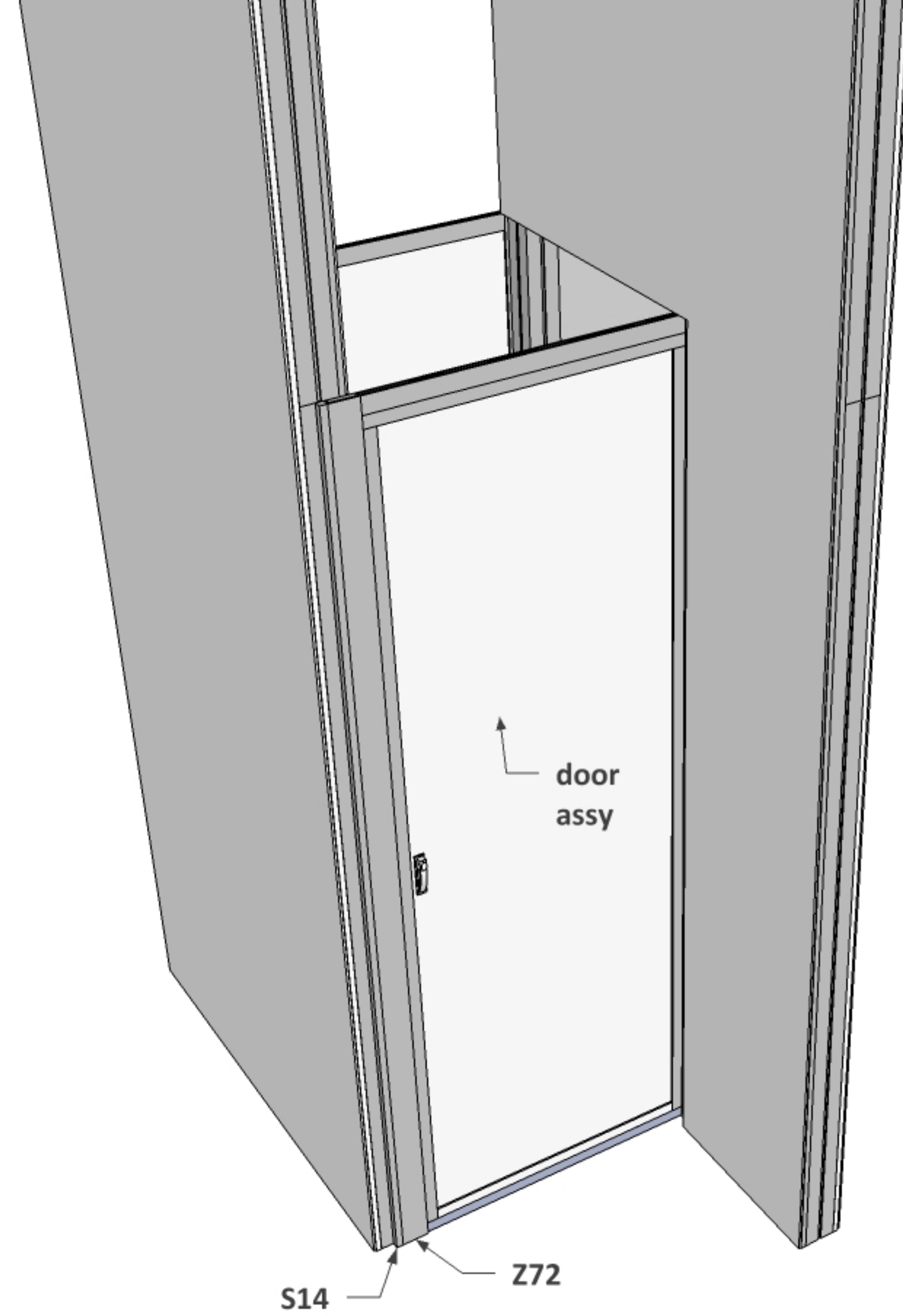


96.000"

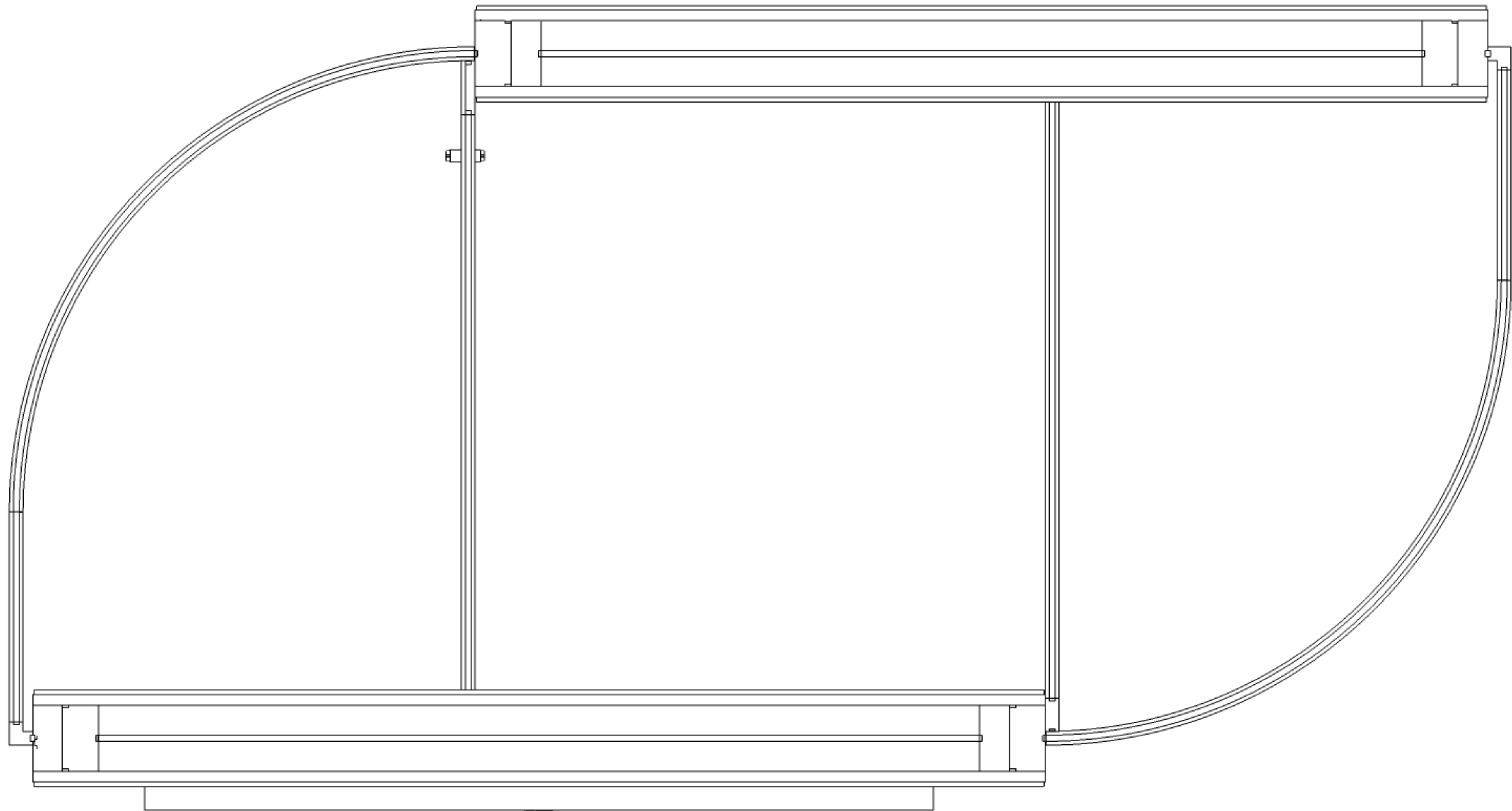
33.114"



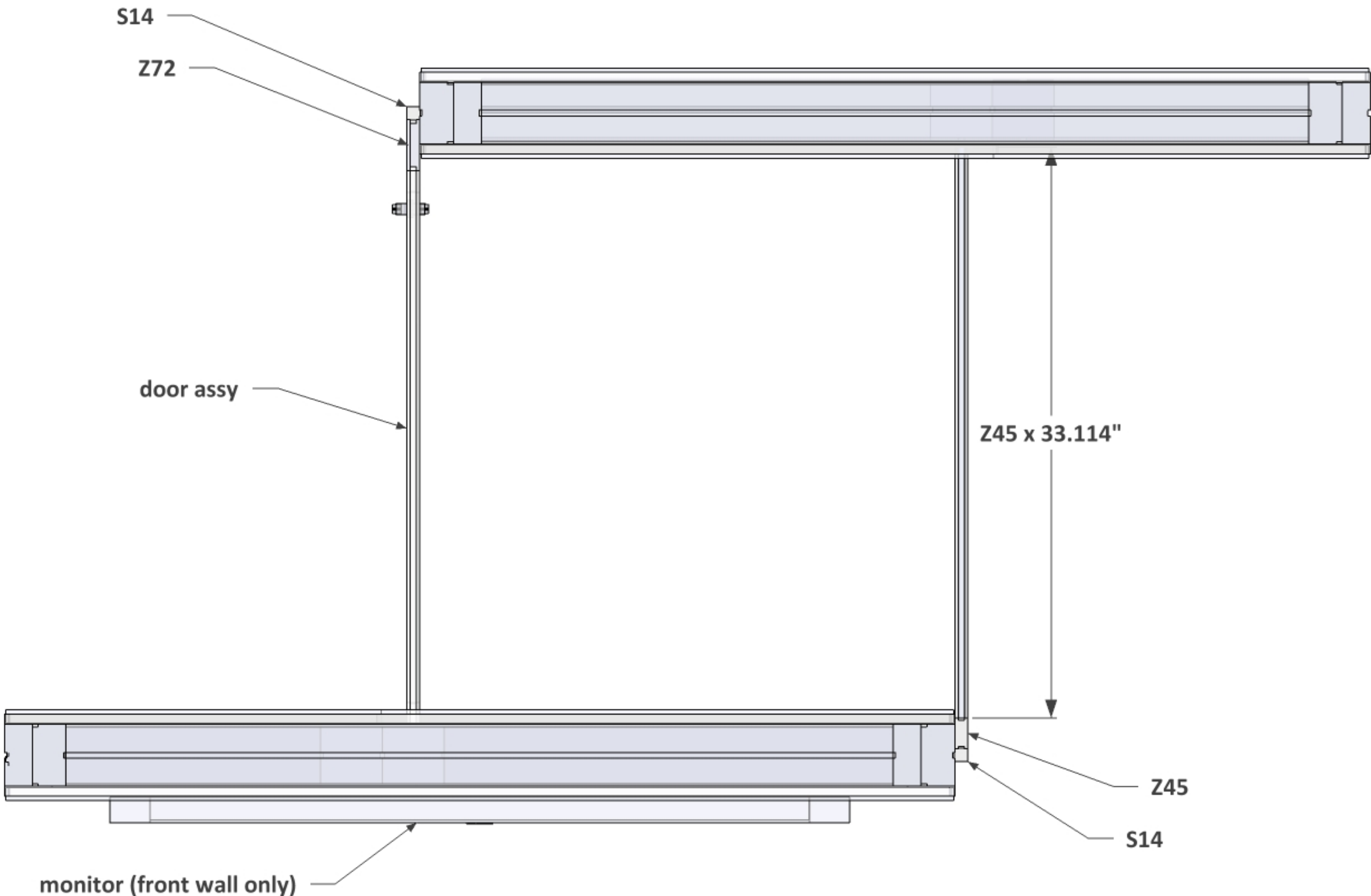
door  
assy

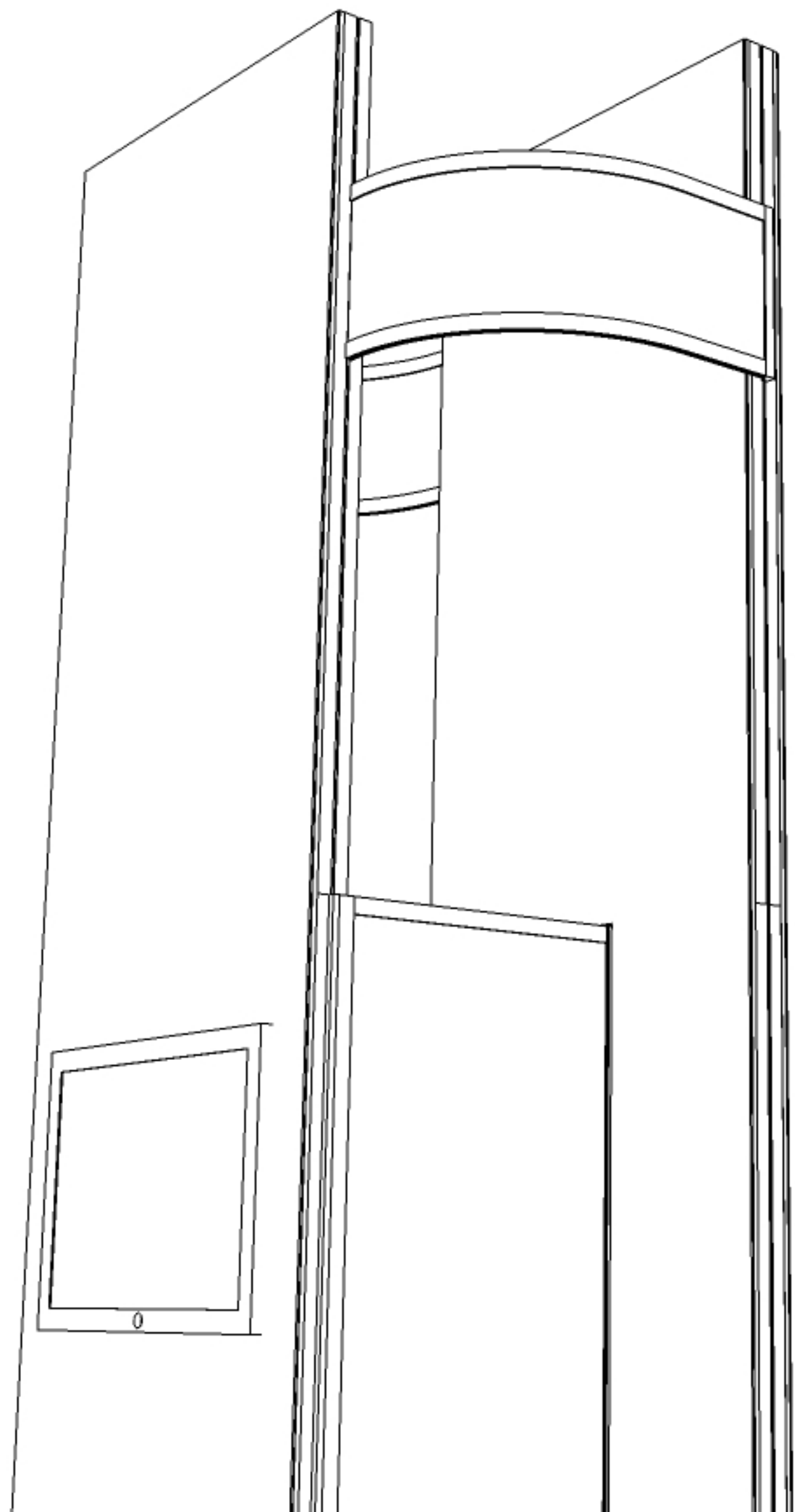
S14

Z72

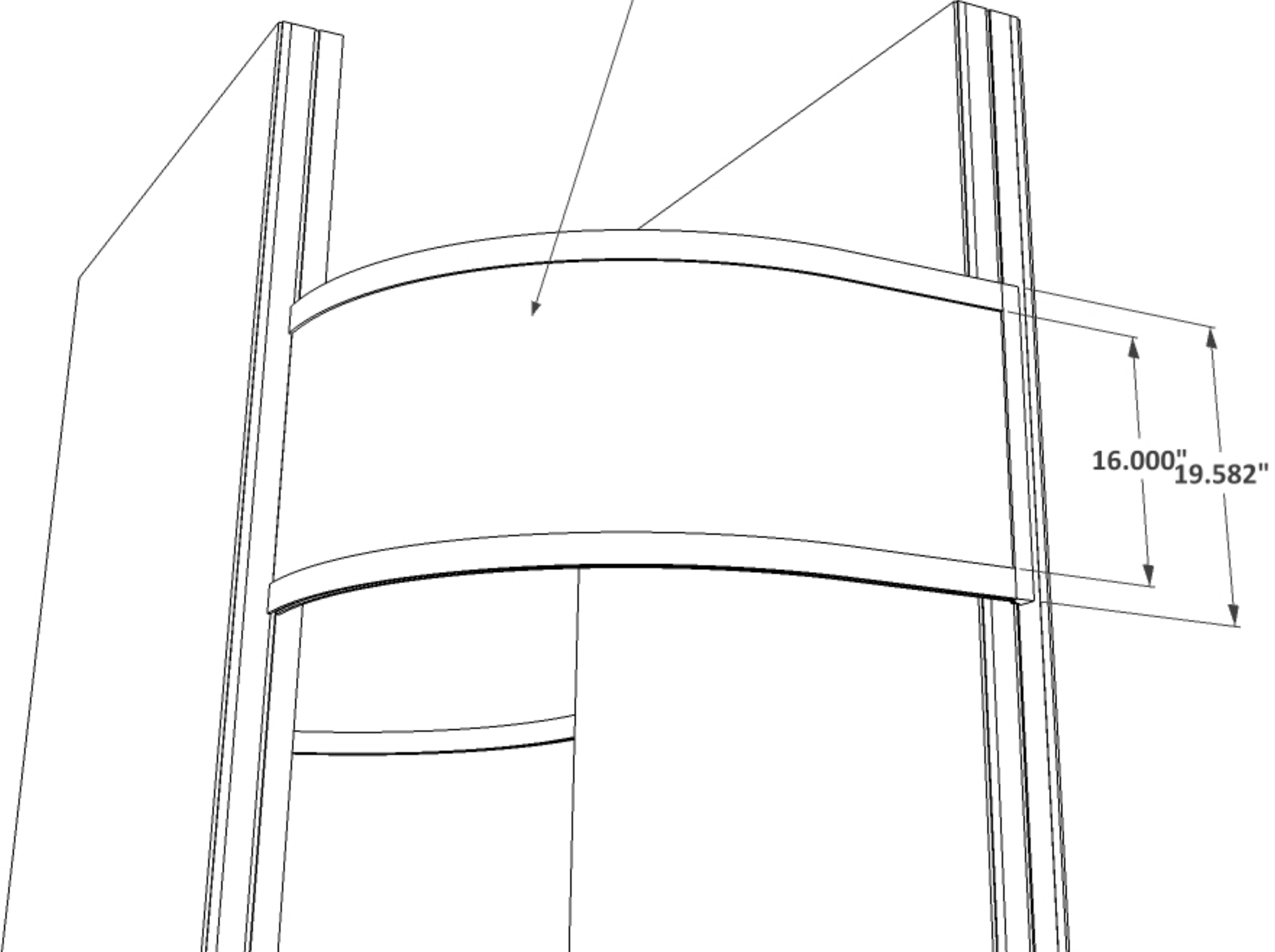


TOWER - PLAN  
(upper headers removed for visual clarity)





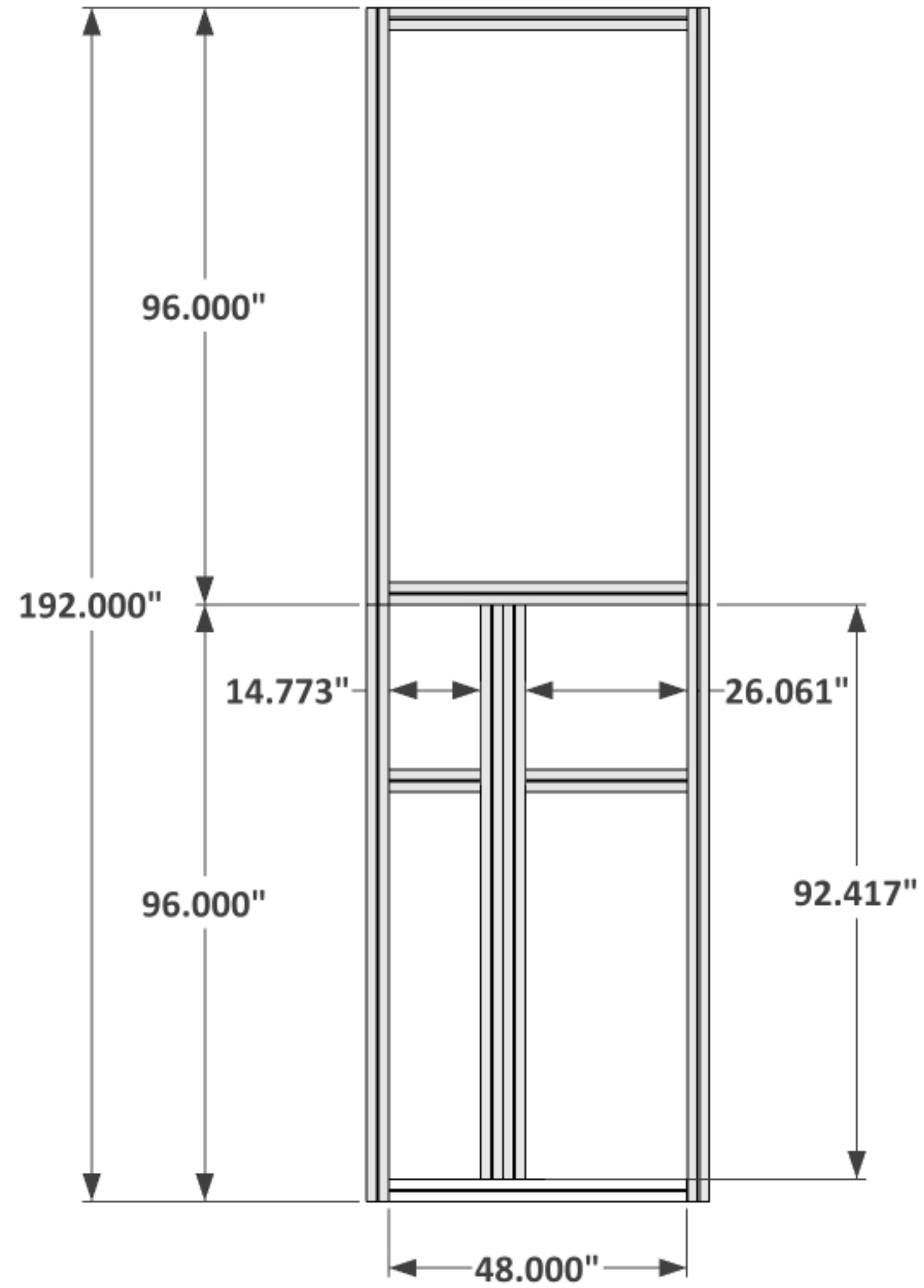
50.892" x 16.000" (visible)



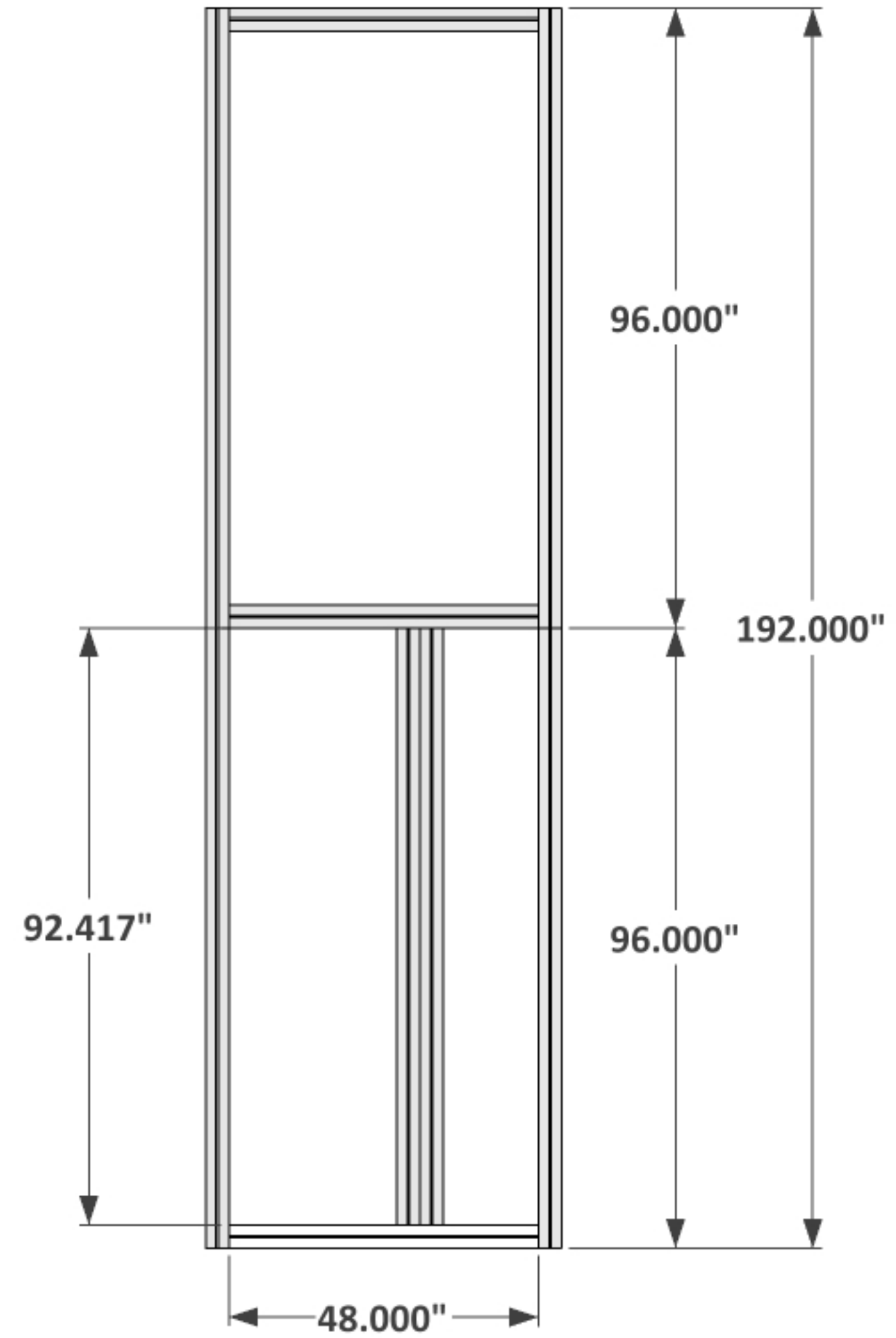
16.000"  
19.582"



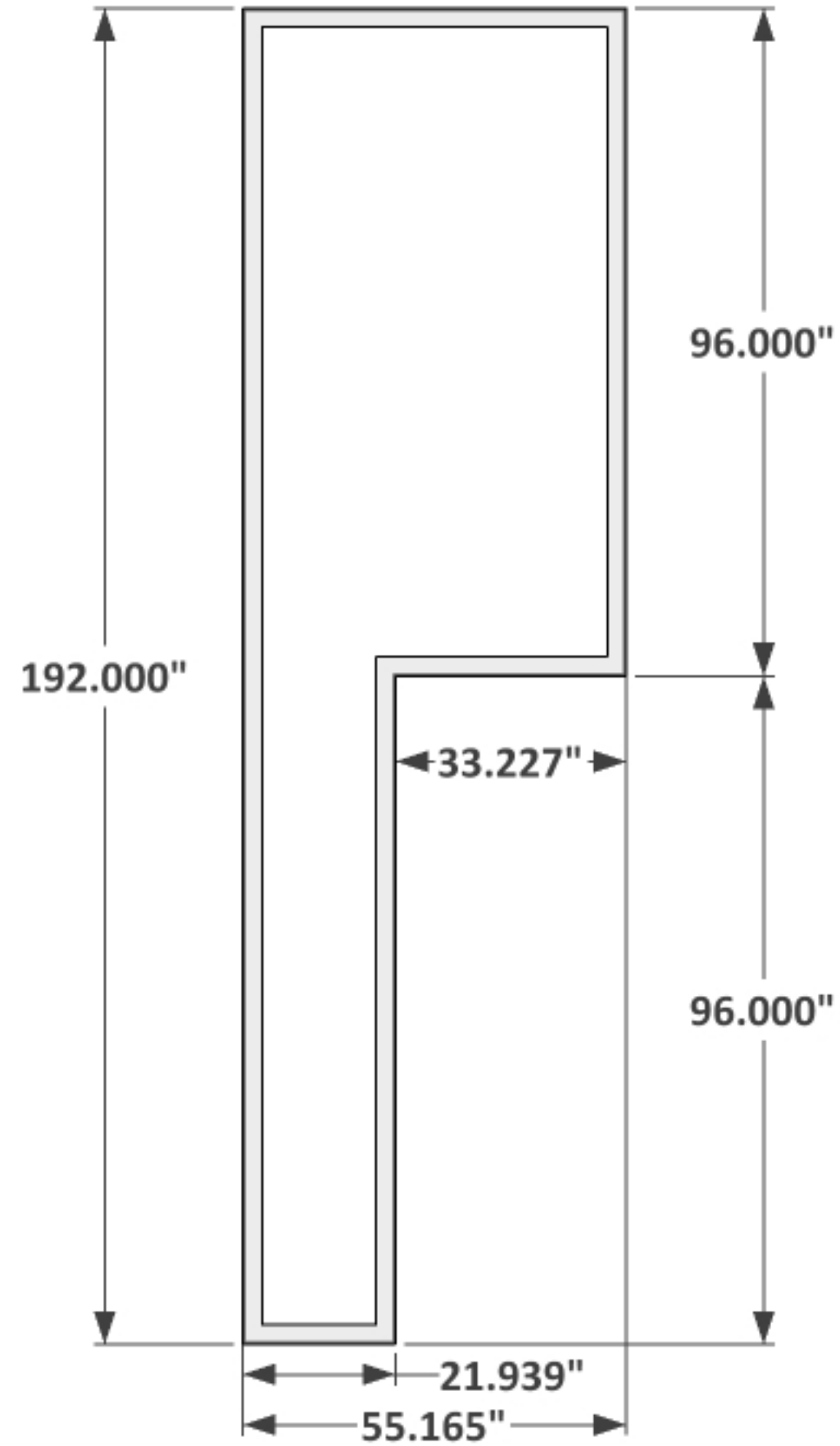
FRONT TOWER WALL  
Q914 Framing



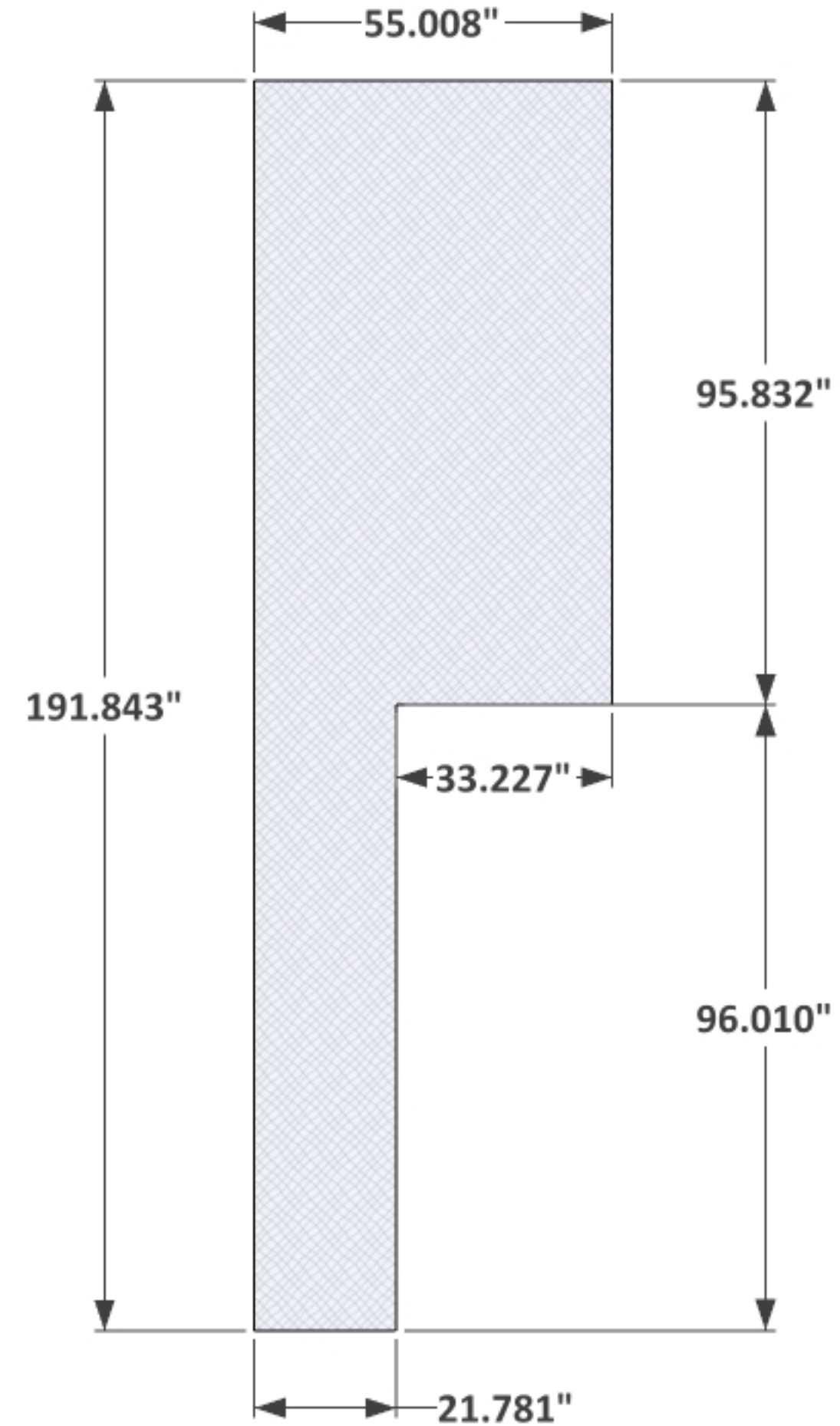
REAR TOWER WALL  
Q914 Framing



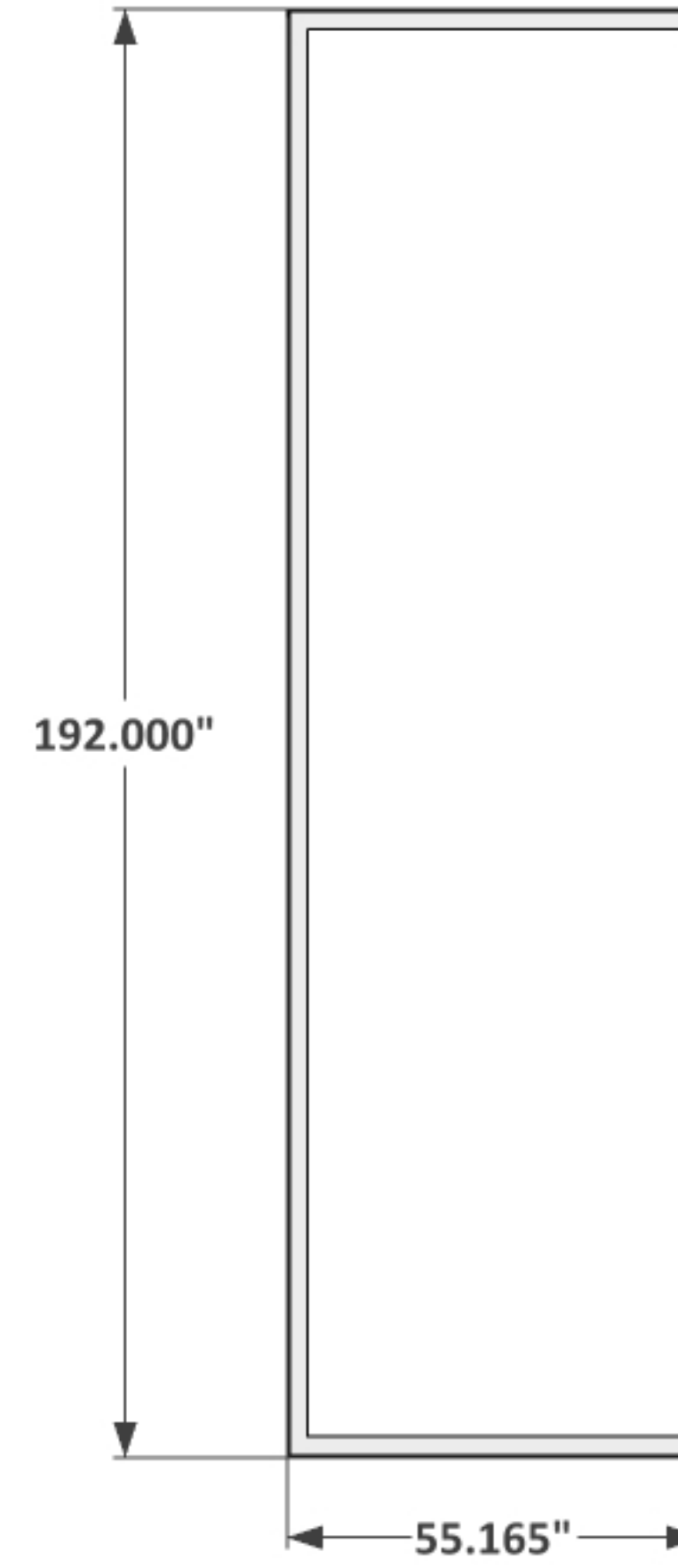
INTERIOR TSP06  
(miter @ 90-deg joints)  
(reverse orientation  
for rear tower wall)



INTERIOR SEG FABRIC  
(visible dimensions)  
(reverse orientation  
for rear tower wall)



EXTERIOR TSP06  
(miter @ 90-deg  
joints)



EXTERIOR SEG FABRIC  
(visible dimensions)

