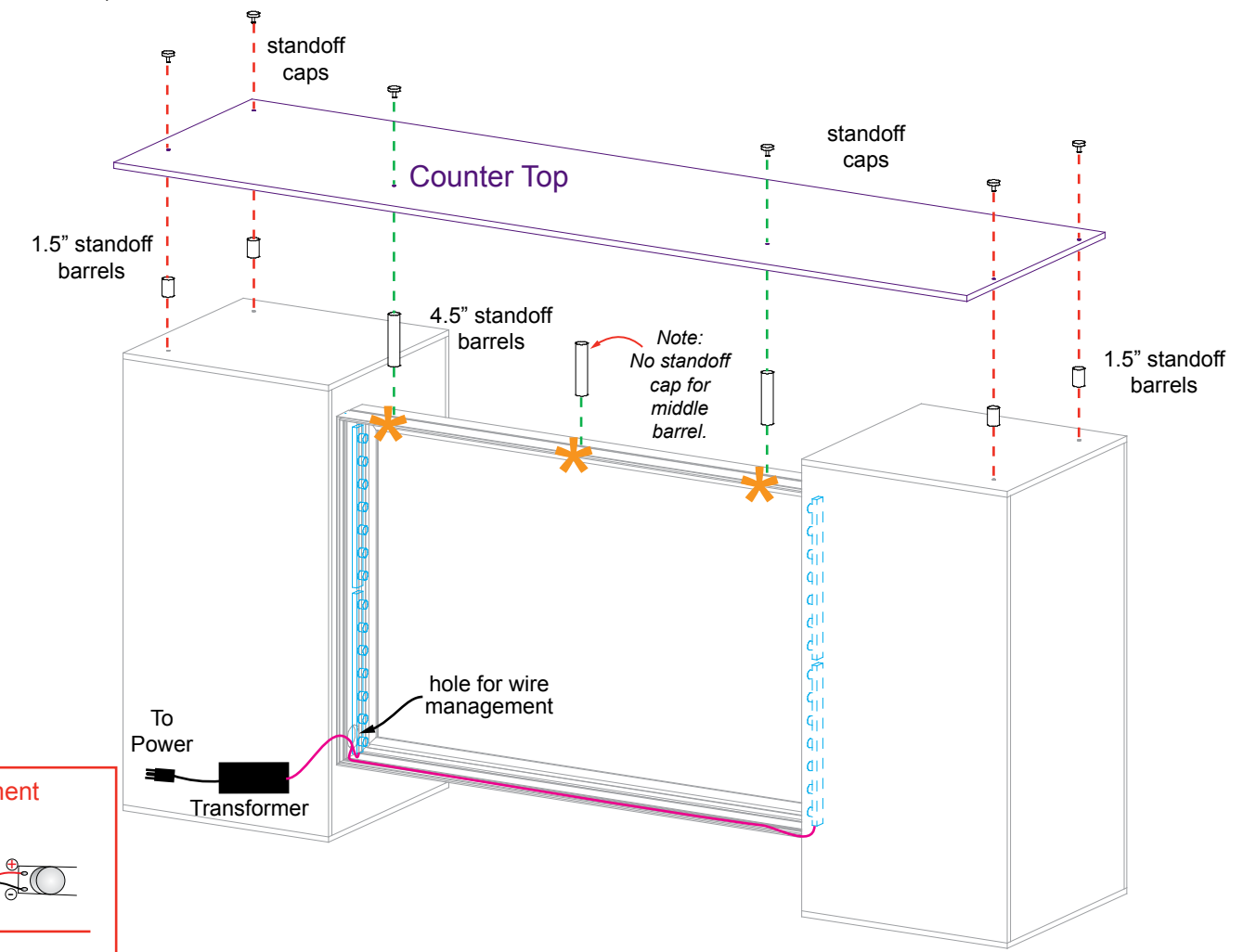
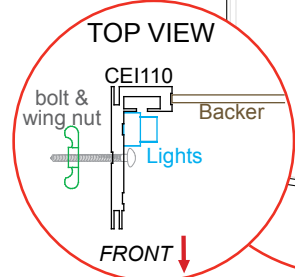
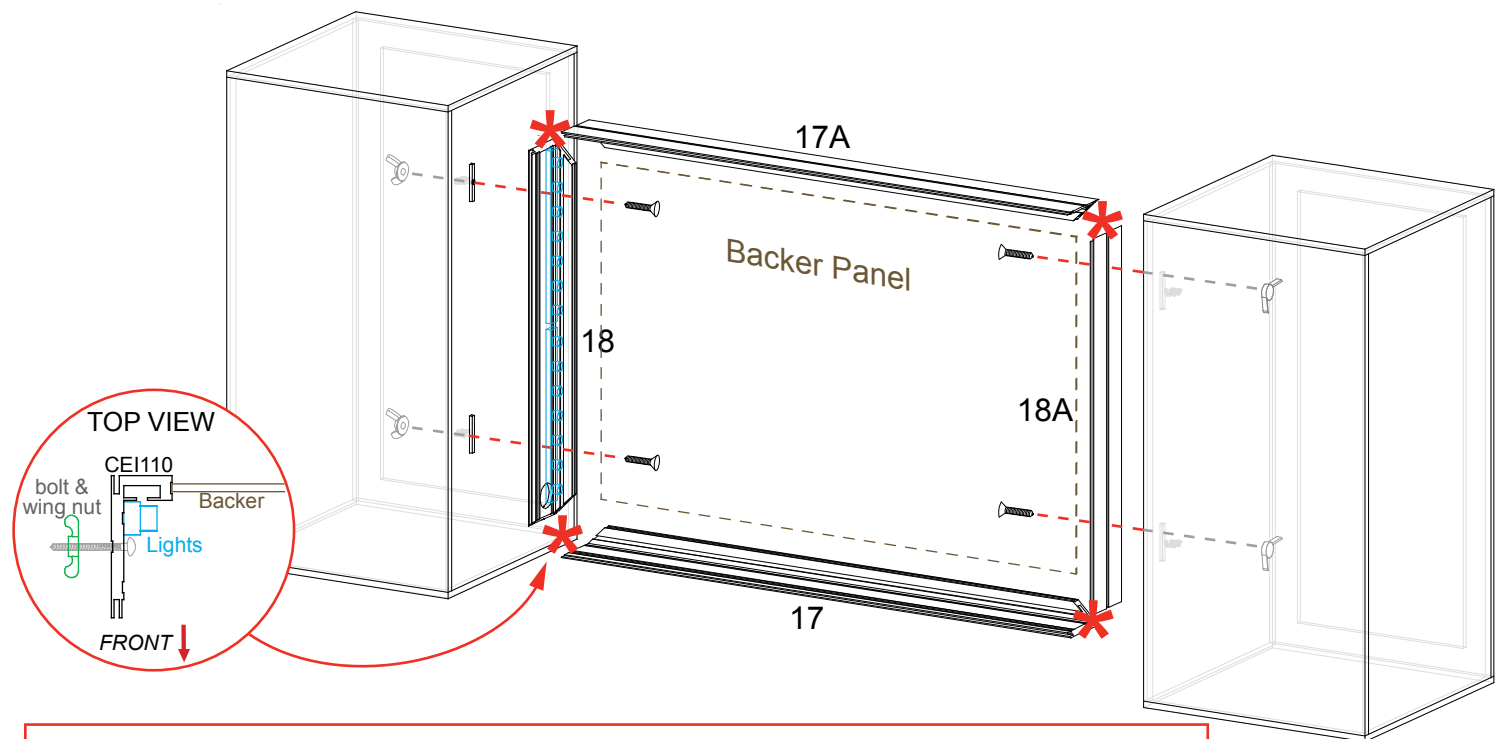
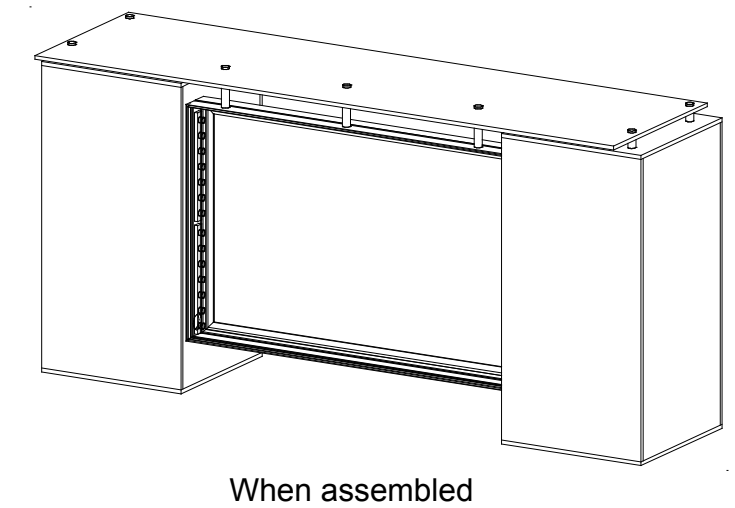
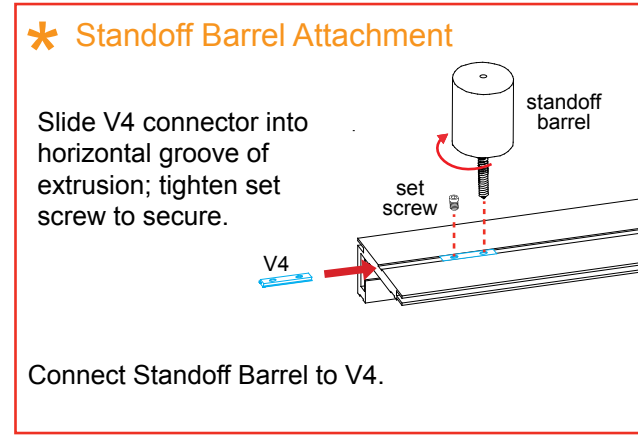
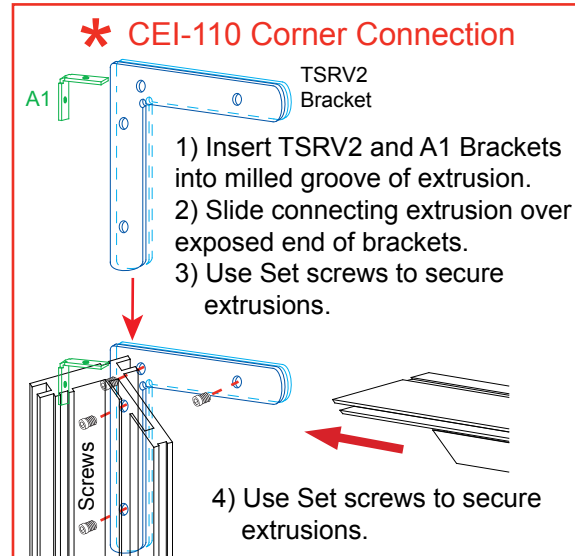


Order #XXXXX - ECO-42C Sustainable Counter / Podium

Item	Qty.	Description
17/17A	1/1	46" w CEI110 Horizontal Extrusion
18/18A	1/1	30.5" h CEI110 Vertical Extrusion

- Steps:
- 1) Connect horizontals [17, 17A] between verticals [18, 18A], sliding backer panel between verticals. See **CEI-110 Corner Connection** detail.
 - 2) Attach left & right cabinets to frame assembly [17/17A/18/18A] using bolts & wing nuts.
 - 3) Install **Counter Top** to assembly using standoff barrels as shown. See **Standoff Barrel Attachment** detail.
 - 4) Connect power cords to Supernova lights as shown.
 - 5) Apply SEG graphic to frame.



SEG Graphic Installation

Corner A, Corner B, Corner C, Corner D

It is important to first insert graphic into each alternate corner then to the sides of the frame. If this is not done, graphic will not fit into the frame correctly.

Step 1 Insert corner A. Turn edge of graphic so silicon welt is perpendicular to face of graphic. Insert narrow side of welt with fabric to outside into the channel. Repeat for other side of this corner.

Step 2 Repeat Step 1 for opposite corner C, then insert corner B, followed by corner D, to complete the installation of the corners.

Step 3 Once all corners are inserted, press one silicon edge into channel from corners and work toward the center. Make sure welt is fully inserted into channel. Continue until all sides are done. Smooth out edges of graphic.

Graphic Removal To remove the graphic from the frame, locate the fabric pull tab. Gently pull up on the tab to remove the fabric.

Light to Light Attachment

Light to Transformer Attachment

Maximum of 7 lights per chain, 9 lights per Transformer

General Setup Instructions

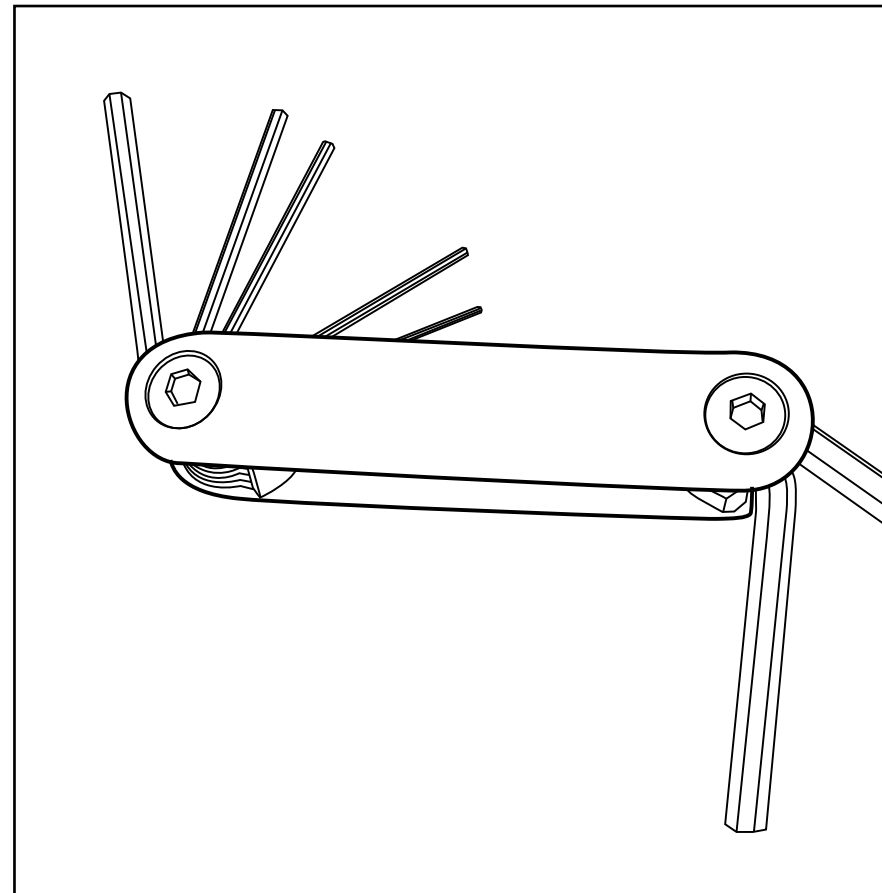
- The setup instructions are created specifically for your configuration.
- Setup instructions are laid out sequentially in levels, including exploded views and a logical series of steps for assembly. We encourage you to study the instructions before attempting to assemble your exhibit.

Cleaning and Packing

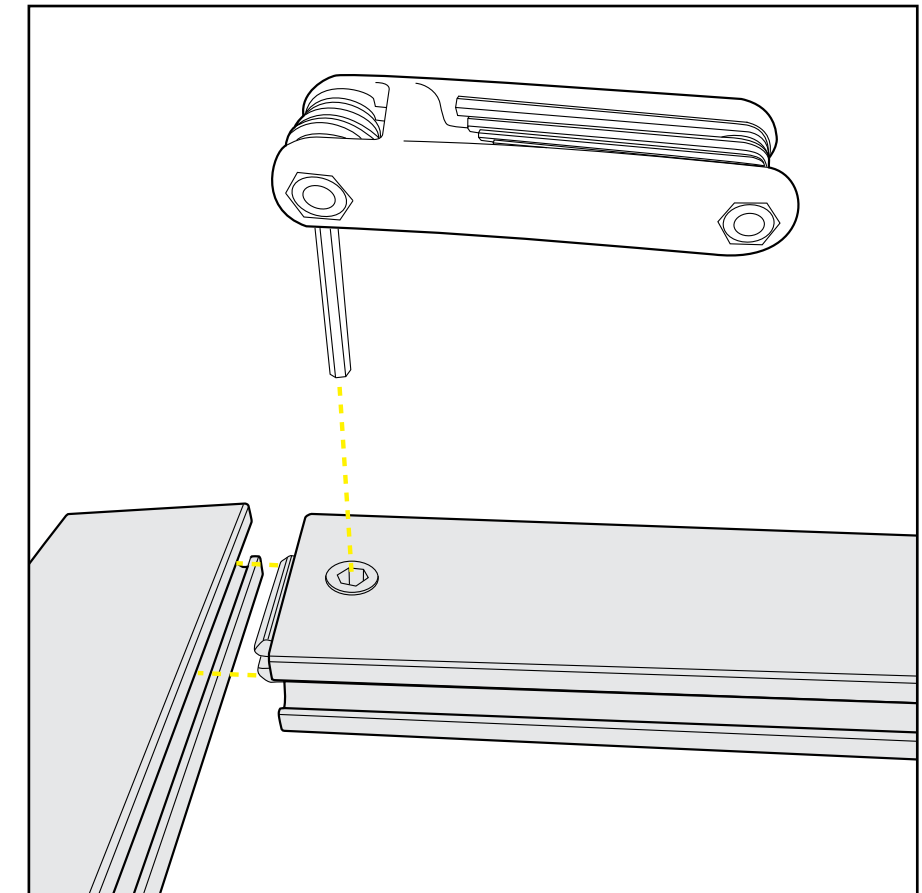
- Use non-abrasive cleaners when cleaning extrusions or ECO Glass inserts.
- Use mild cleaners and soft materials such as cotton to clean all laminates.
- Keep exhibit components away from extreme heat and long exposure to sun light. This will prevent warping and fading.
- Retain all packing material for ease of re-packing. This protects the exhibit components and keeps each part organized.

Disassembling

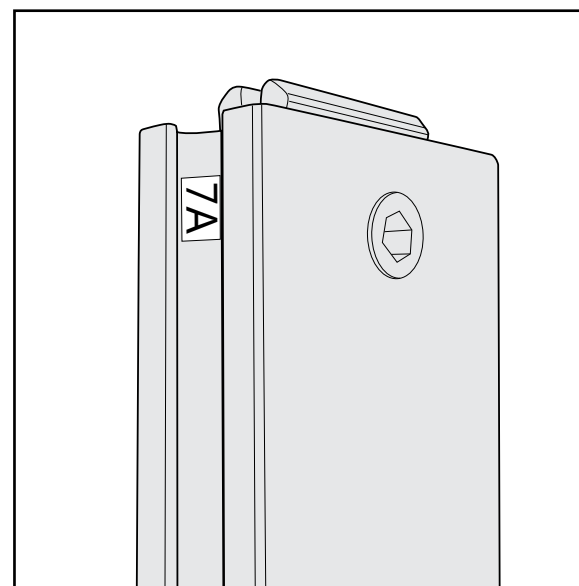
- When disassembling exhibit, tighten all setscrews to prevent loss of hardware in the shipping process.



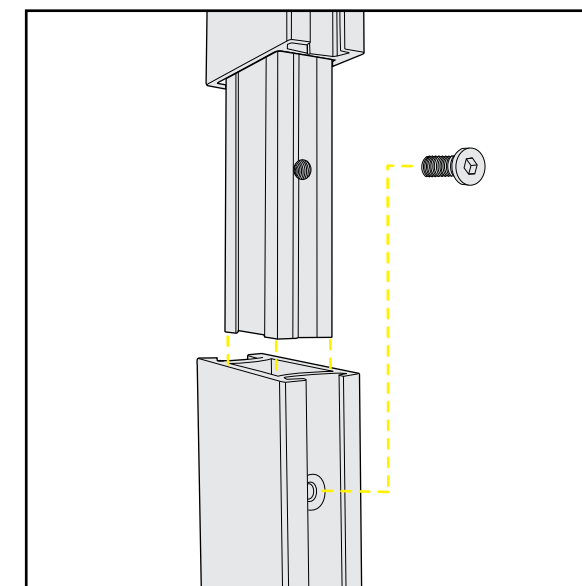
Hex Tool for Assembling Exhibit



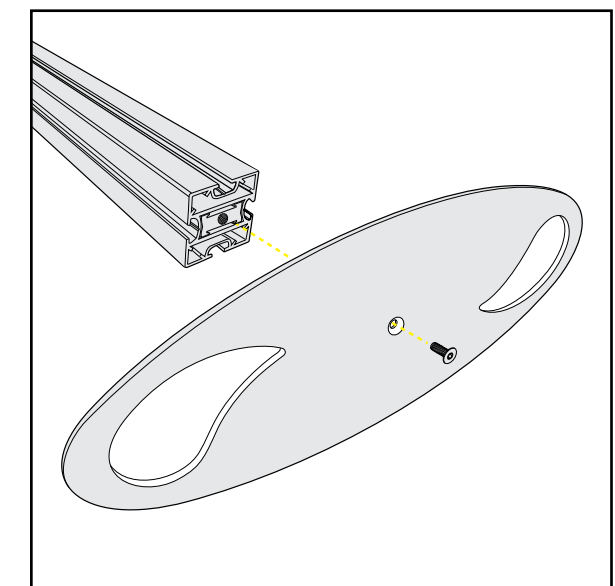
Extrusion Lock Connectors



Numbering Instructions for Setups/Packing



Inline Connection between Extrusions



Baseplate Connection for Vertical Extrusions