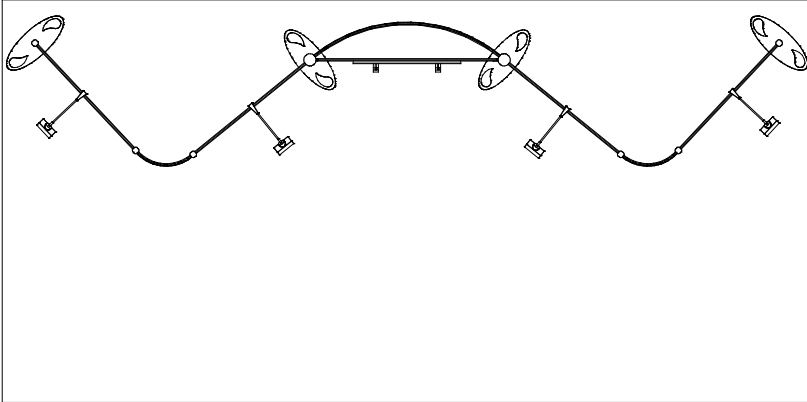
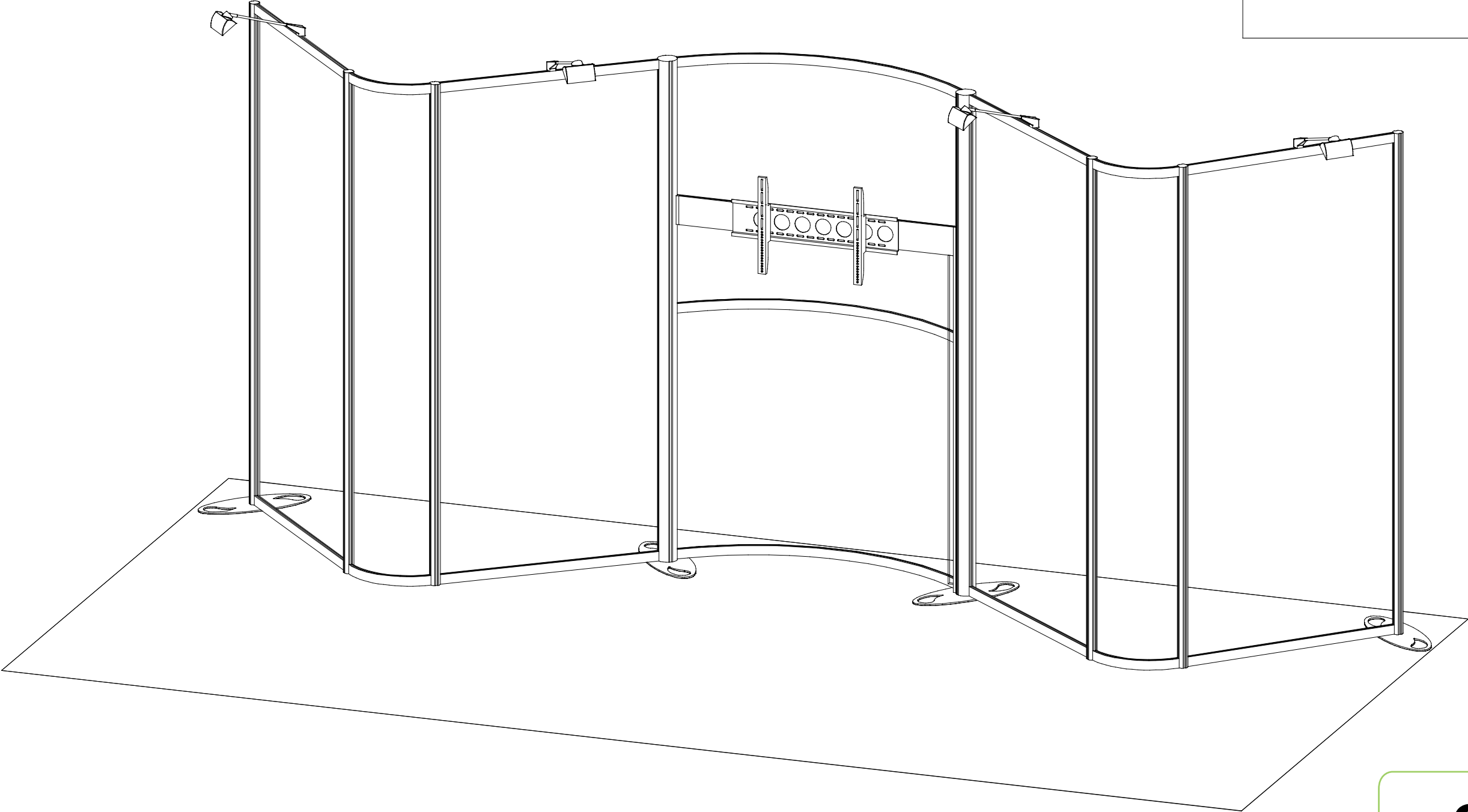


Order #XXXXX - ECO-2073 - 10' x 20' Sustainable Exhibit



20' 10' Plan View



Setups

ecosystems™
SUSTAINABLE EXHIBITS
YOUR BRAND. YOUR DESIGN. YOUR PLANET.

General Setup Instructions

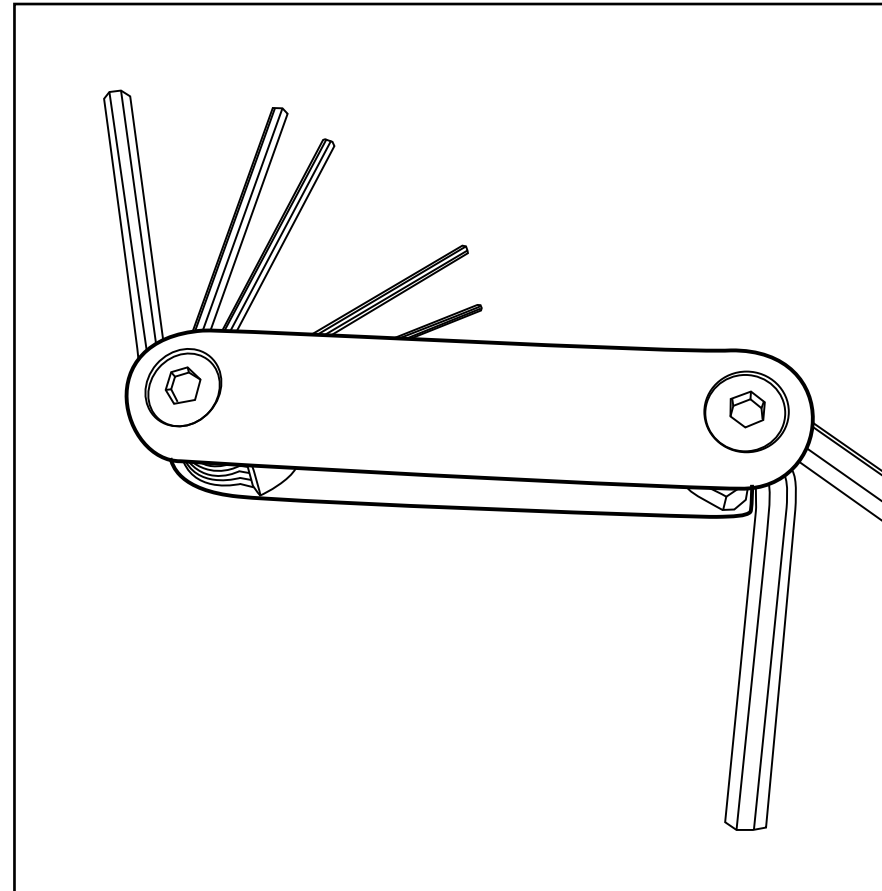
- The setup instructions are created specifically for your configuration.
- Setup instructions are laid out sequentially in levels, including exploded views and a logical series of steps for assembly. We encourage you to study the instructions before attempting to assemble your exhibit.

Cleaning and Packing

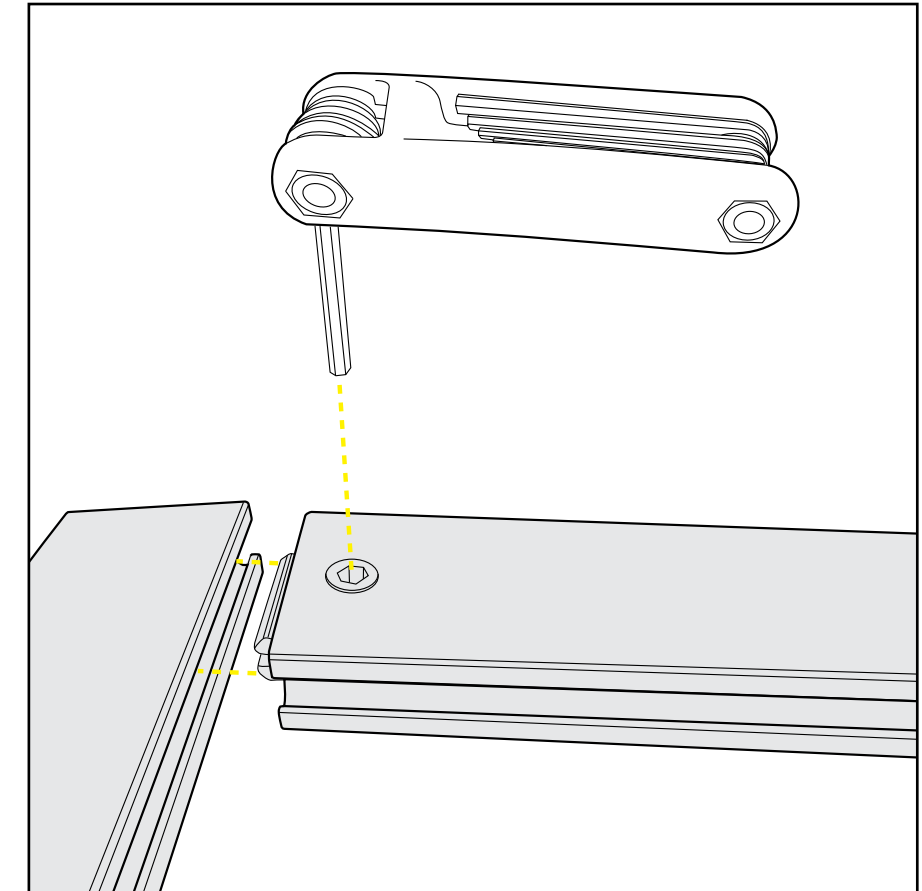
- Use non-abrasive cleaners when cleaning extrusions or ECO Glass inserts.
- Use mild cleaners and soft materials such as cotton to clean all laminates.
- Keep exhibit components away from extreme heat and long exposure to sun light. This will prevent warping and fading.
- Retain all packing material for ease of re-packing. This protects the exhibit components and keeps each part organized.

Disassembling

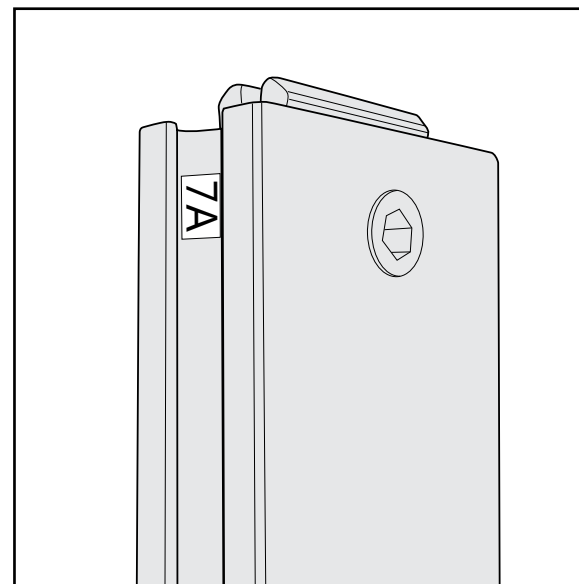
- When disassembling exhibit, tighten all setscrews to prevent loss of hardware in the shipping process.



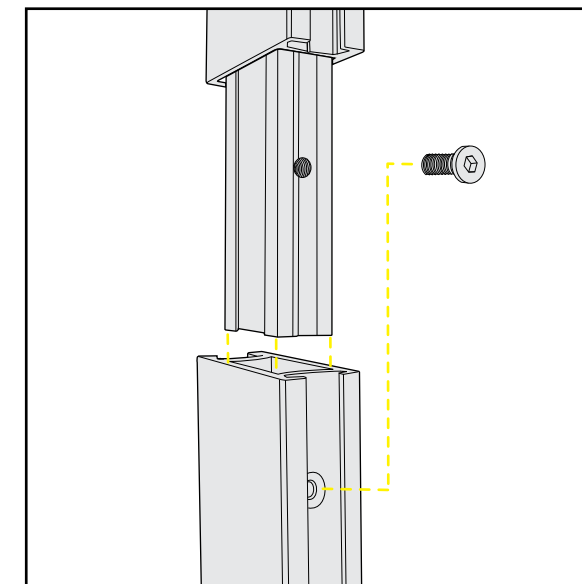
Hex Tool for Assembling Exhibit



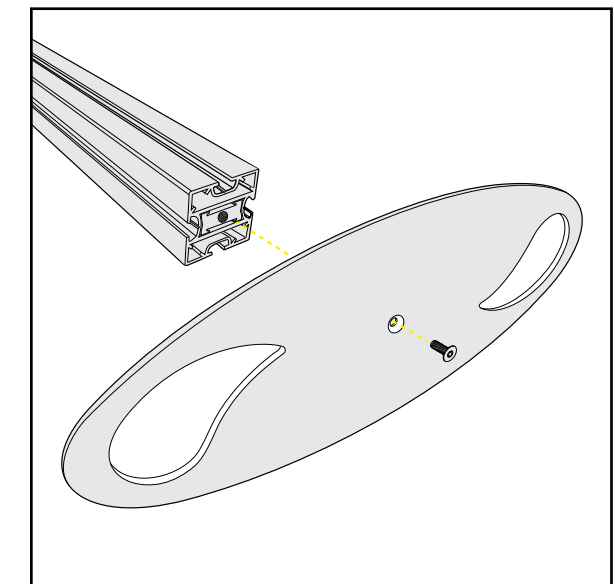
Extrusion Lock Connectors



Numbering Instructions for Setups/Packing



Inline Connection between Extrusions



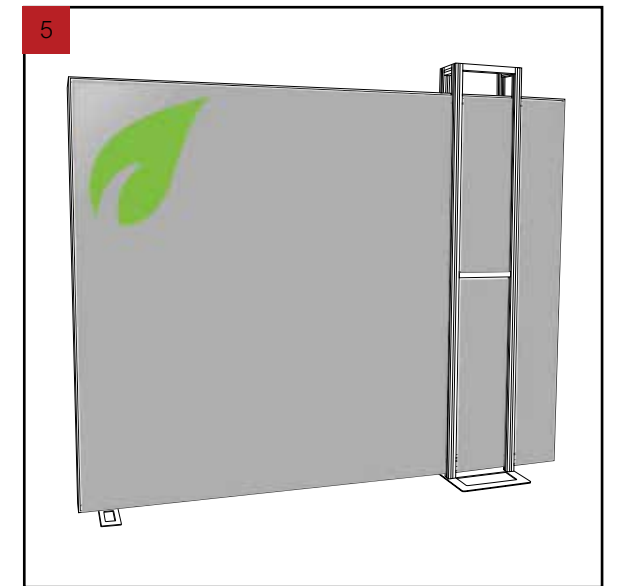
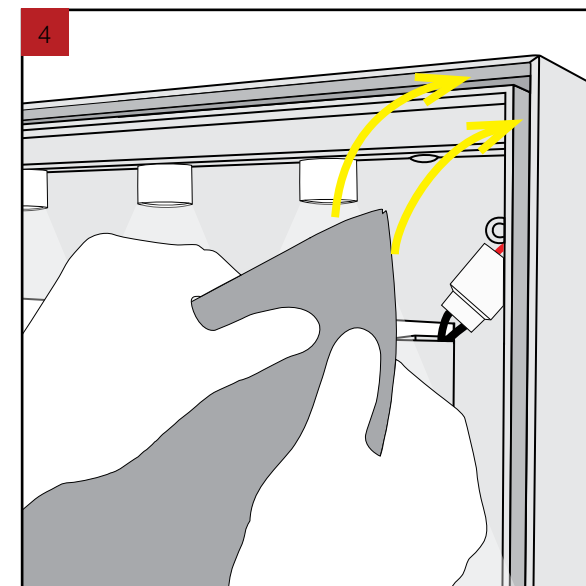
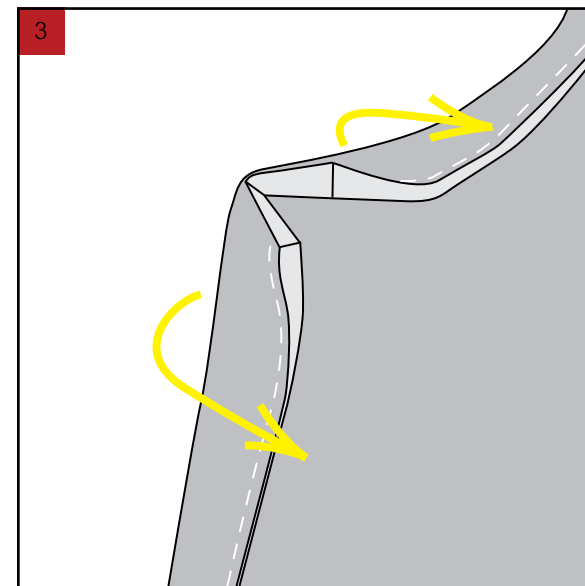
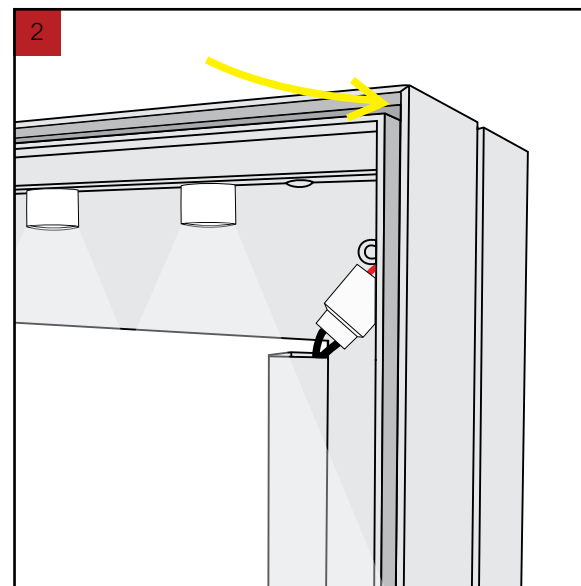
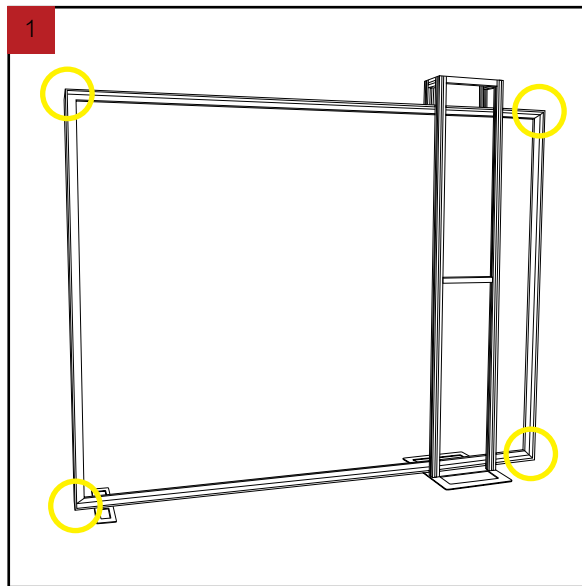
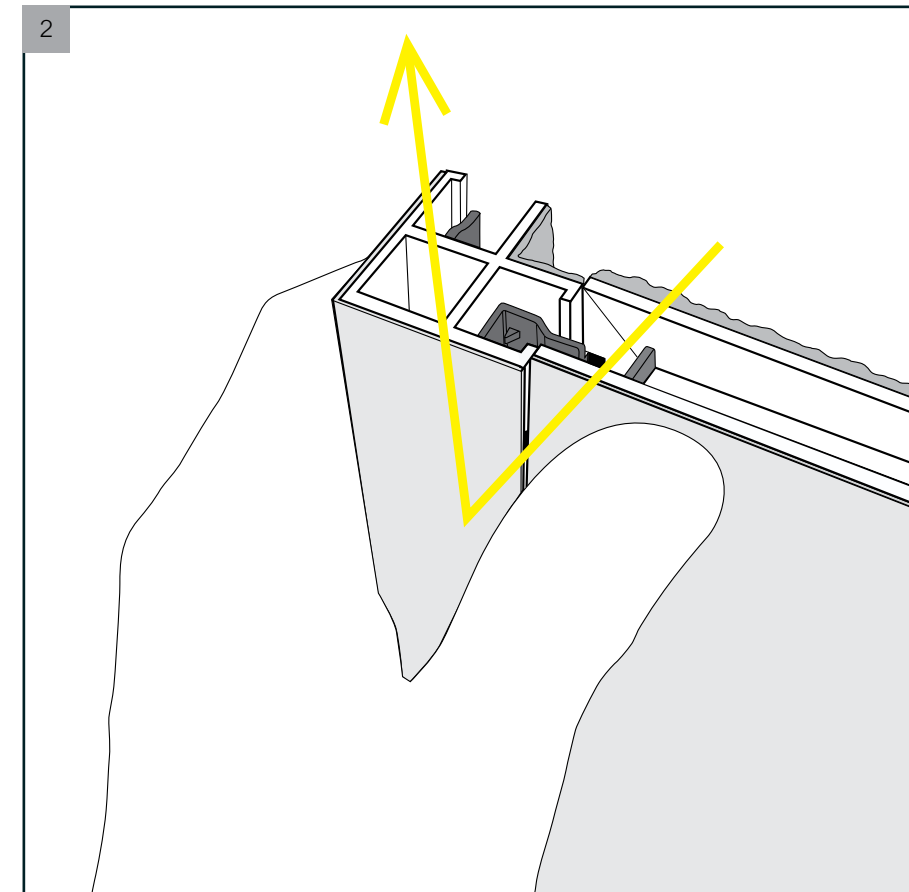
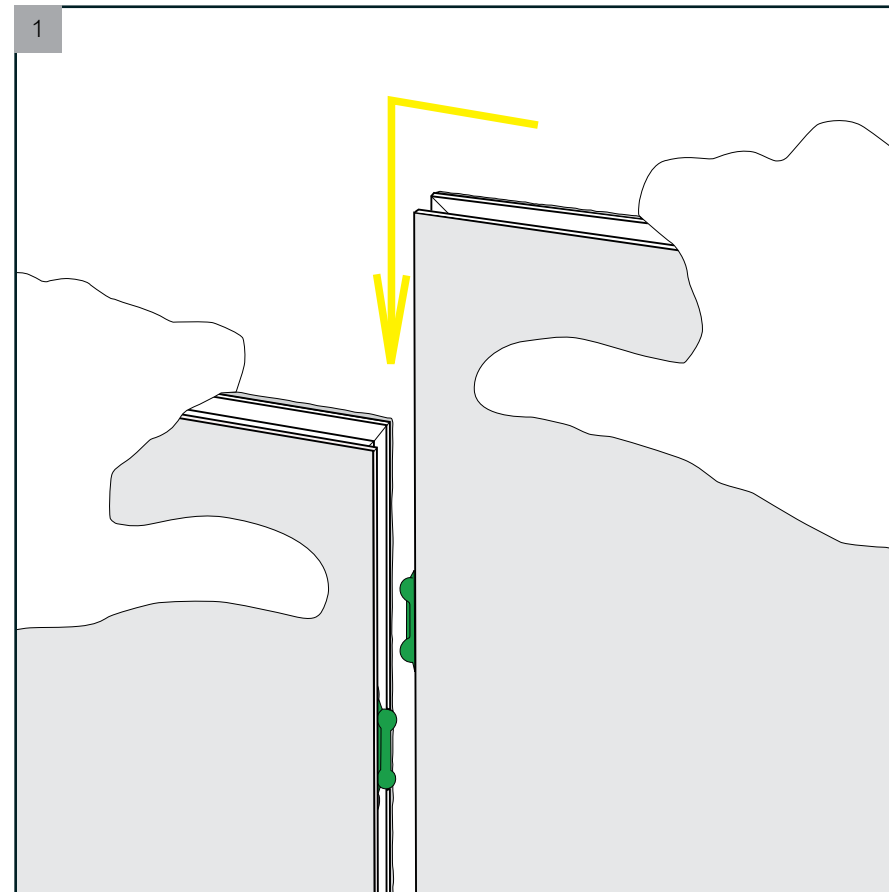
Baseplate Connection for Vertical Extrusions

ECO Panel Install

- 1 Place ECO panel together with a vertical offset, slide down to lock connector in place.
- 2 Panel Corner Connectors are installed just like ECO panels. Remove by off-setting top lock clips horizontally followed by separating vertically.

SEG Graphic Install

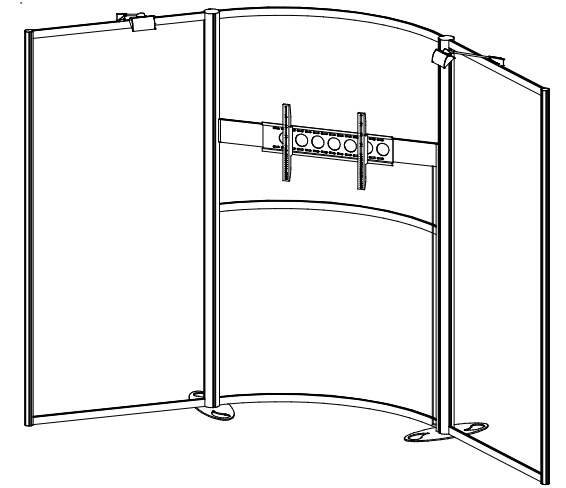
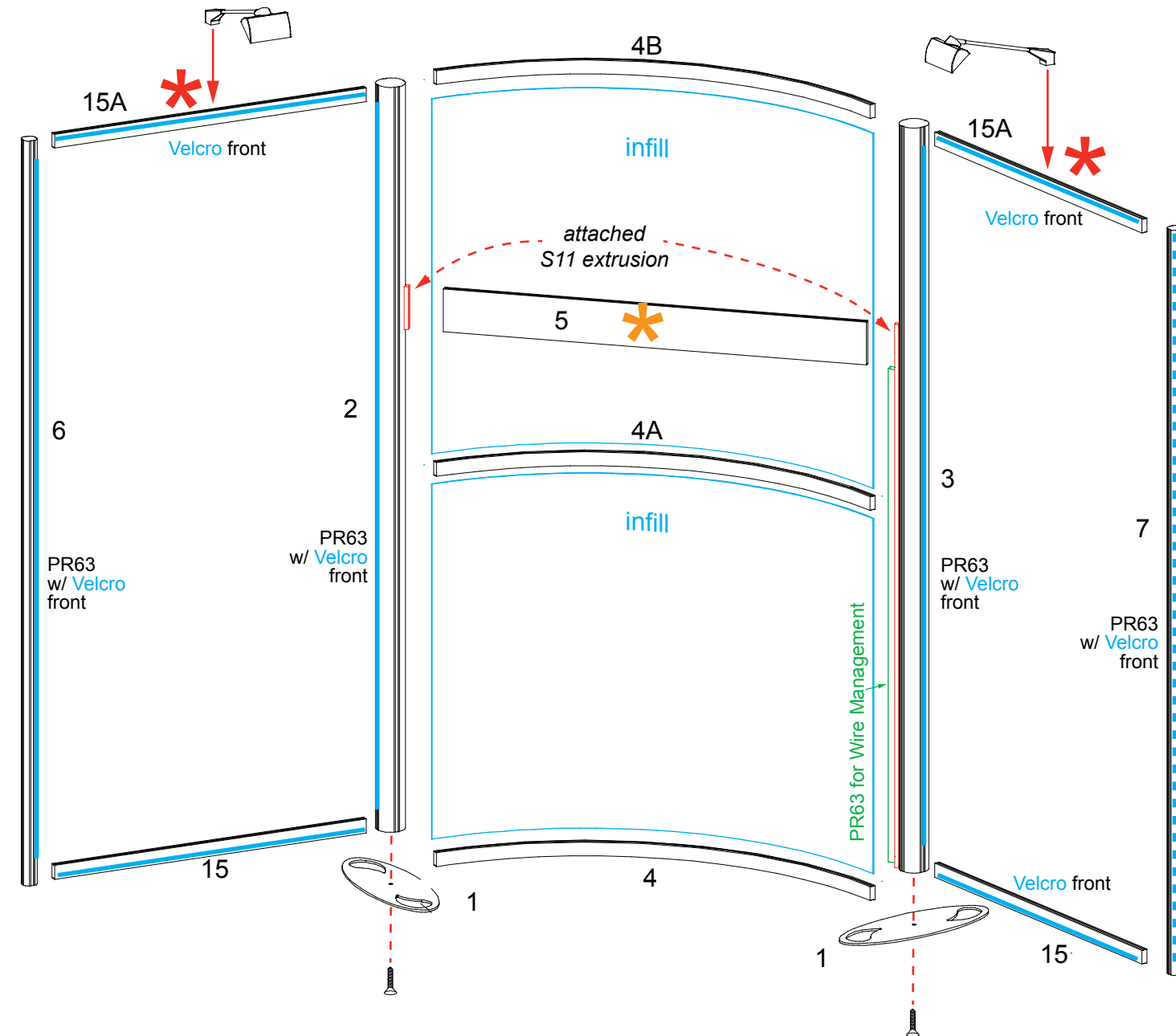
- 1 Graphic is installed corners first. This allows a proportional fit around the perimeter of the extrusion.
- 2 Locate channels along the edge of the extrusions.
- 3 Fold over graphic (hiding threads) and tuck silicon edge and fabric into corners.
- 4 After corners are complete, slide in the rest of the graphic into channel. (From edges to center)
- 5 Graphic is installed. Stand back and be amazed!



Item	Qty.	Description
1	2	Base Plate
2	1	96" h RR91 Vertical Extrusion w/ attached S11
3	1	96" h RR91 Vertical Extrusion w/ attached S11
4/4A/4B	1ea	60" w Z45 curved Horizontal Extrusion
5	1	53.126" w Z140 Horizontal Extrusion
6	1	96" h RSG540 Vertical Extrusion
7	1	96" h RSG540 Vertical Extrusion
15/15A	2/2	42" w Z45 Horizontal Extrusion

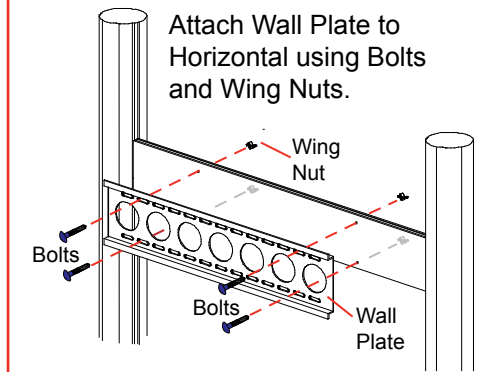
Steps:

- 1) Connect Base Plates [1] to bottom of verticals [2,3].
- 2) Install horizontals [4,4A,4B] & [5] between vertical assemblies [2/2A] & [3/3A], inserting double-sided **infills** between horizontals.
- 3) Connect horizontal [5] to S11 extrusions attached to verticals [2] & [3], as shown.
- 4) Attach horizontals [15,15A] between verticals [2,6] and between verticals [3,7].
- 4) Install Monitor Mount to horizontal [5].
See **Monitor Mount Attachment** detail.
- 5) Attach PR63 to vertical [3] for wire management of monitor power cord. See **PR63 Attachment** detail.

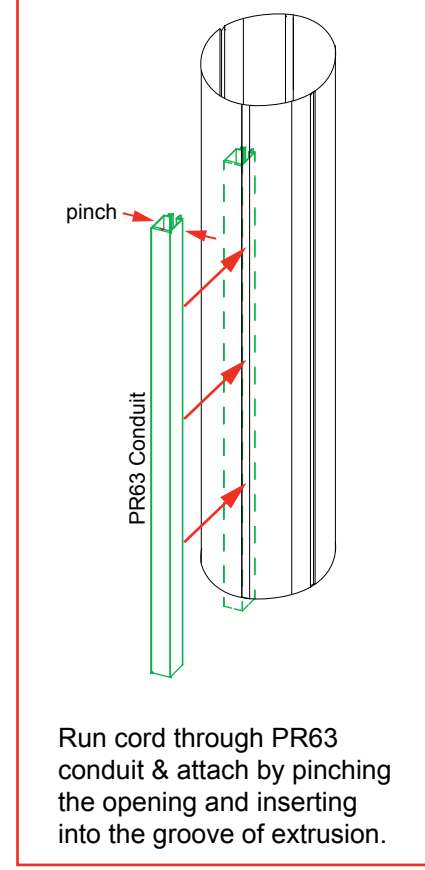


When partly assembled

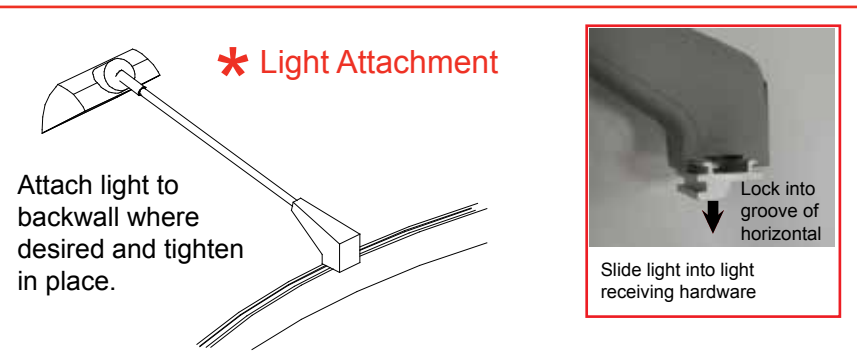
*** Monitor Mount Attachment**



PR63 Attachment

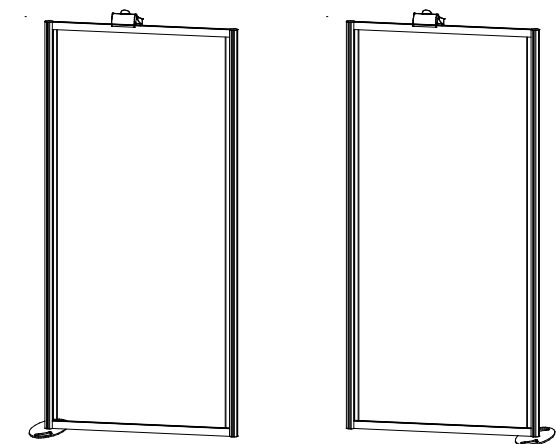
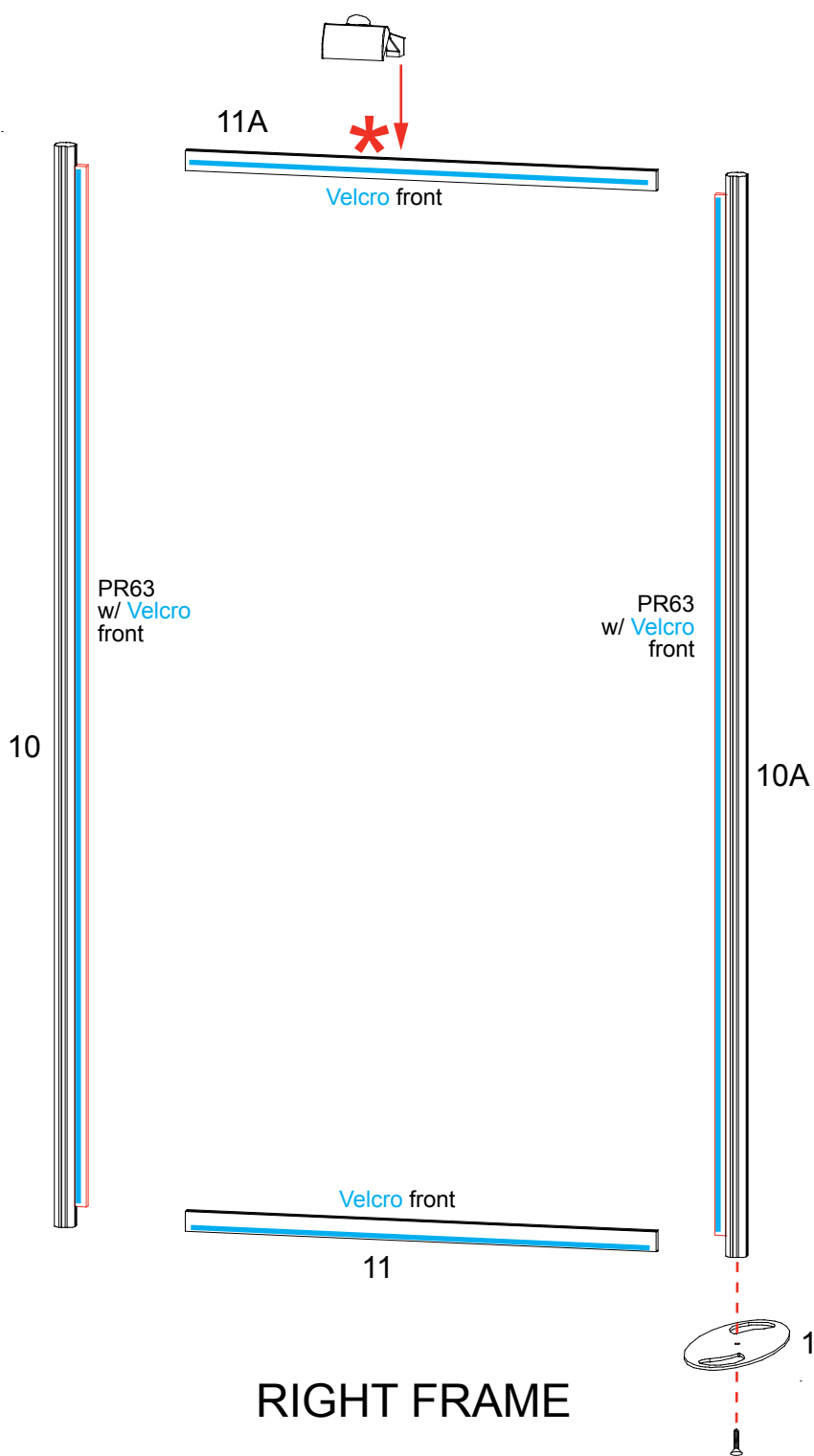
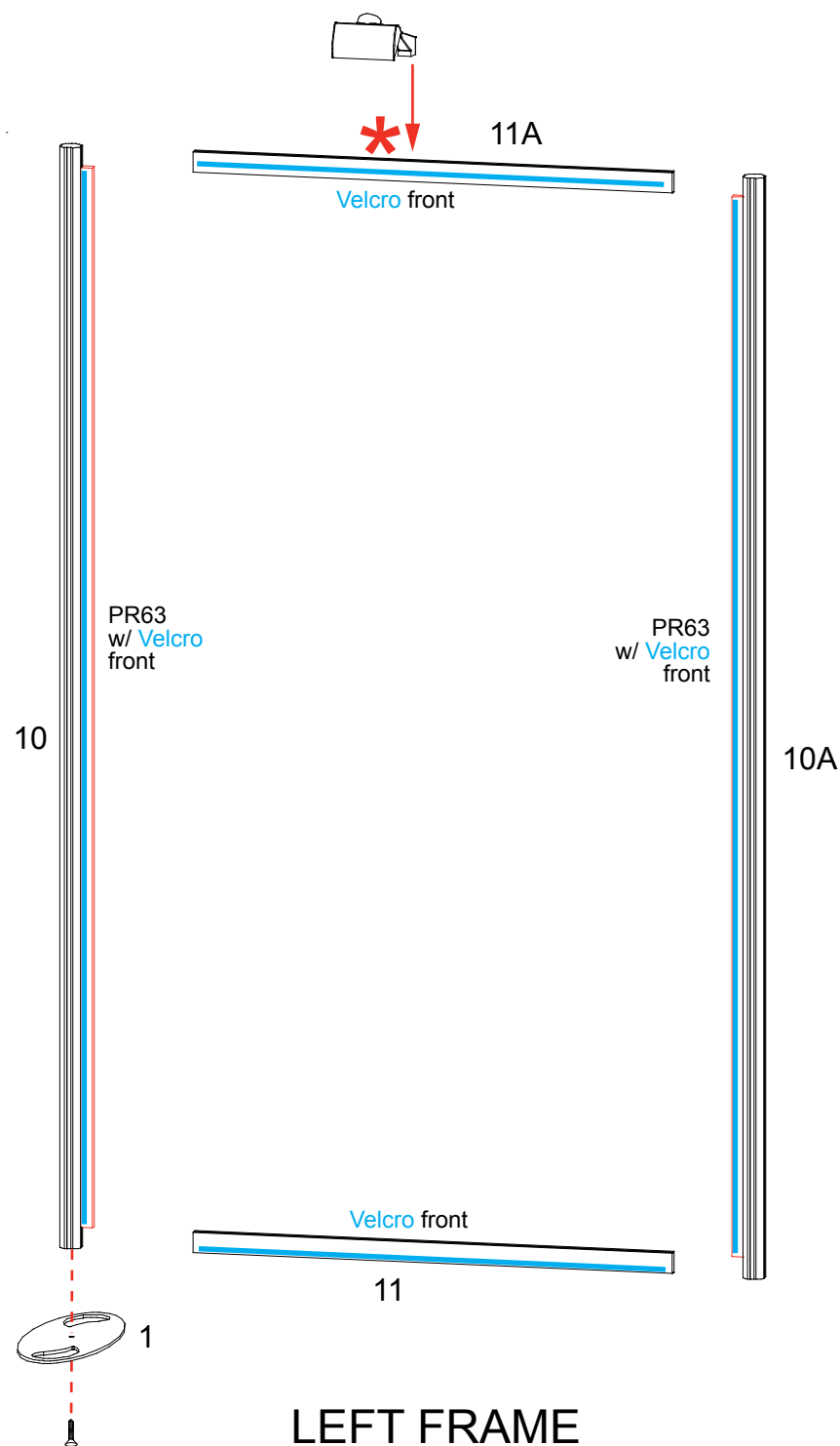


*** Light Attachment**



Step 1

Item	Qty.	Description
1	2	Base Plate
10/10A	2/2	96" h RSG540 Vertical Extrusion w/ attached PR63
11/11A	2/2	42" w Z45 Horizontal Extrusion



When partly assembled

Steps:

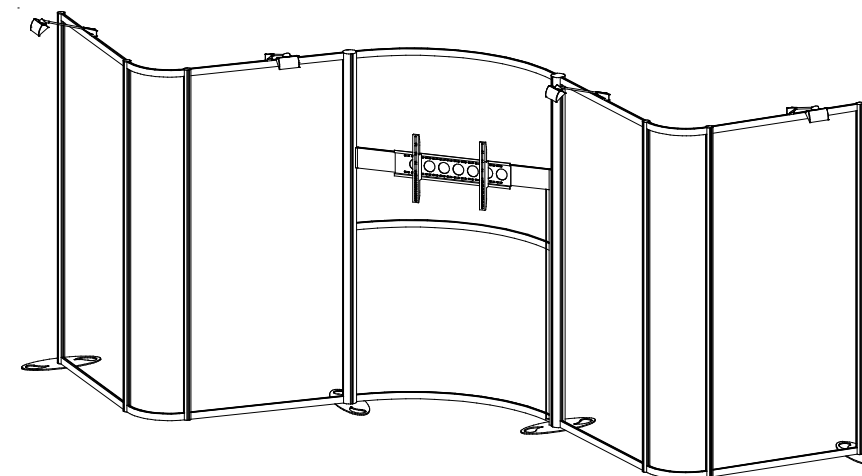
- 1) Install Base Plates [1] to bottom of verticals as shown.
Note: Attach base plate on left vertical for left frame, and on right vertical for right frame.
- 2) Connect horizontals [11, 11A] between verticals [10, 10A].
- 3) Apply fabric graphics to front of assembly using **Velcro**.
- 4) Connect lights to top of assembly as shown. See **Light Attachment** detail.

*** Light Attachment**

Item	Qty.	Description
14/14A	2/2	18" Z45 Curved Horizontal Extrusion

Steps:

- 1) Connect horizontals [14,14A] between left frame vertical [10A] & backwall vertical [6], sliding **infill** between verticals.
- 2) Attach horizontals [14,14A] between right frame vertical [10] & backwall vertical [7], sliding **infill** between verticals



When assembled

