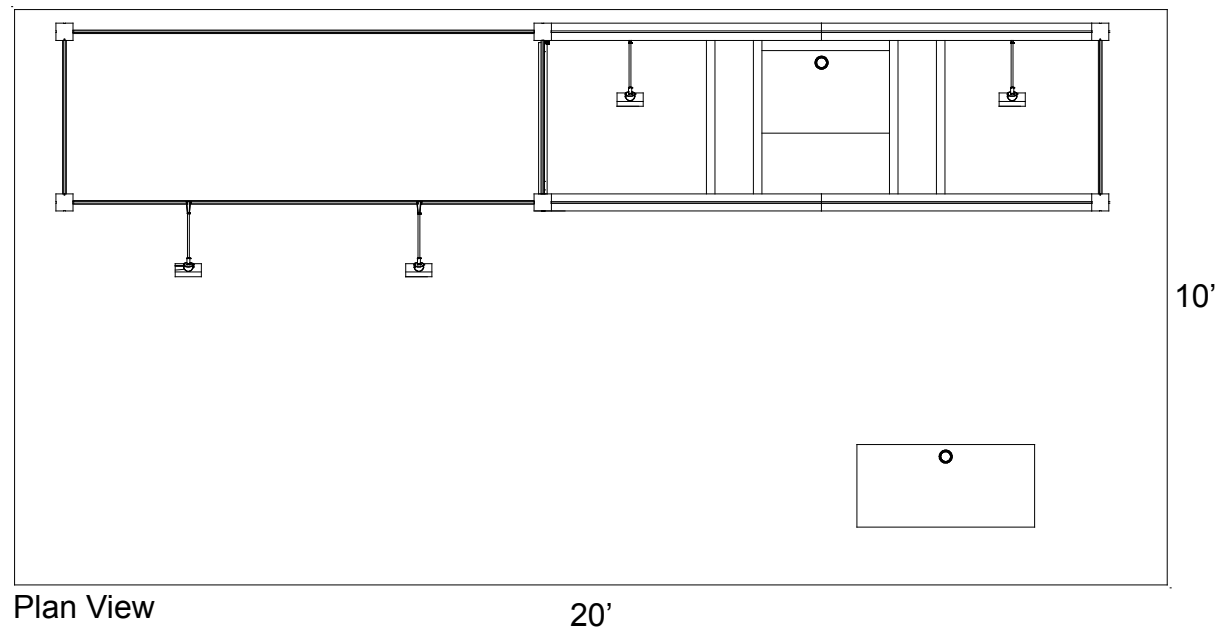
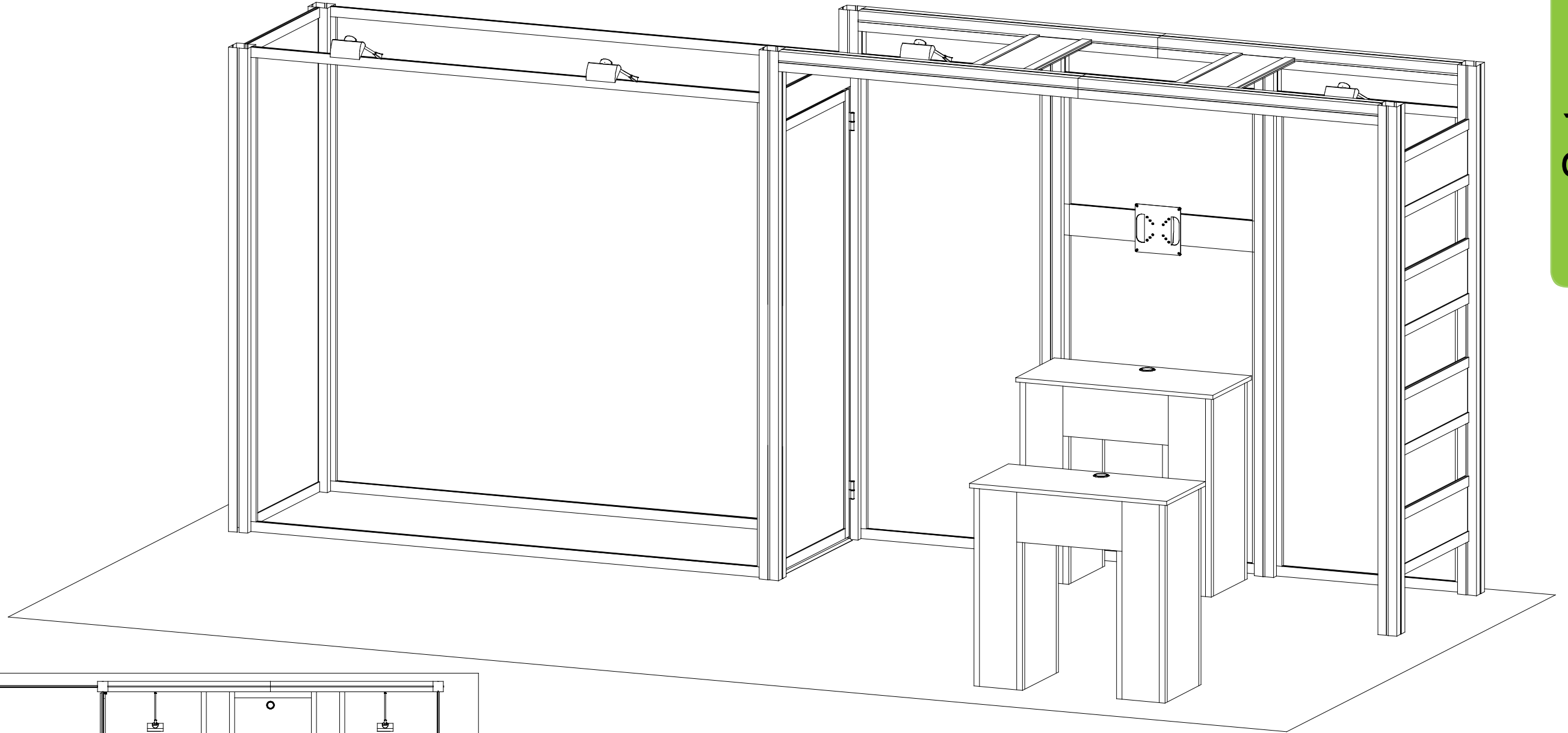
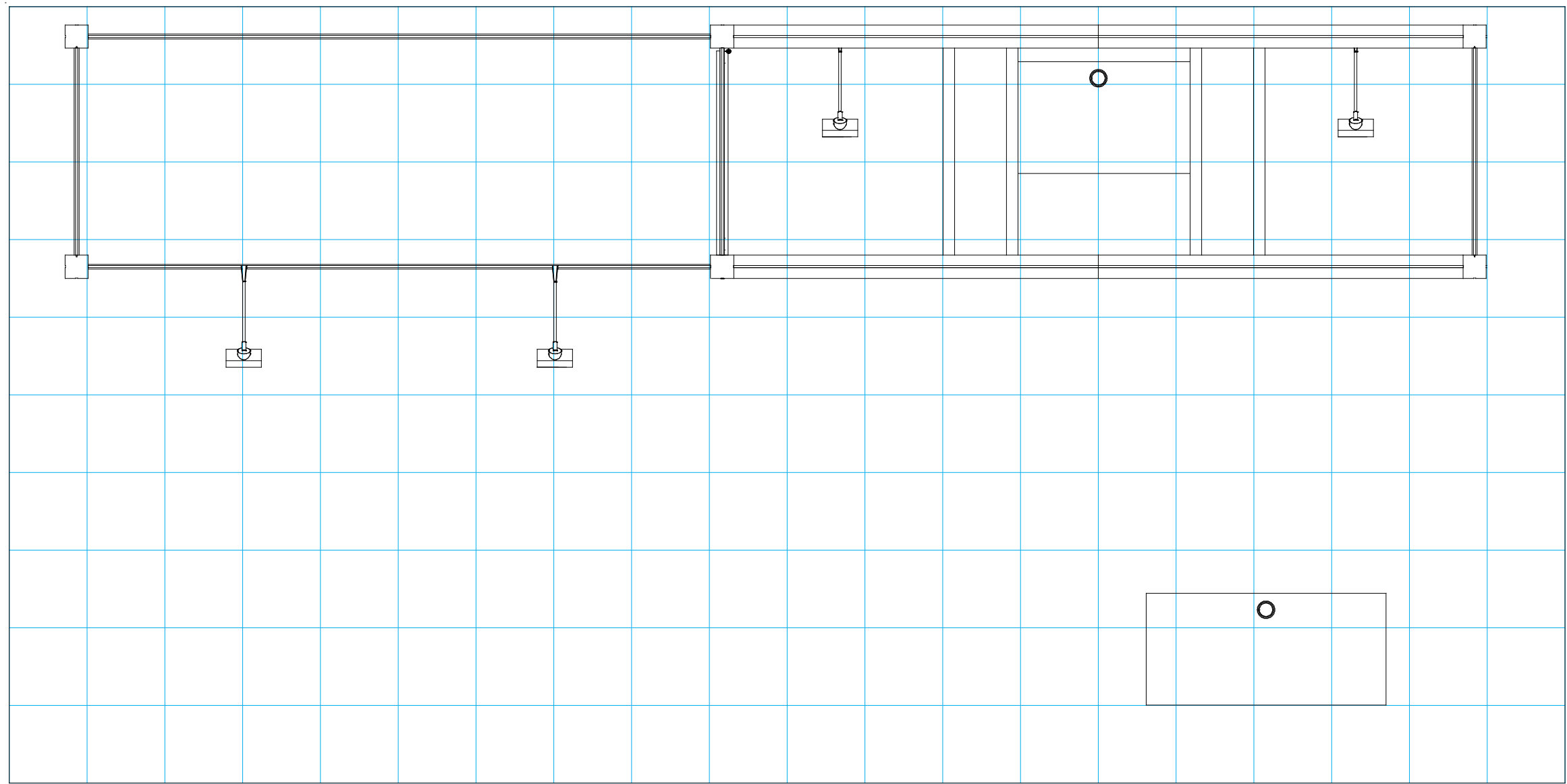



Order #XXXXX - ECO-2068 - 10'x20' Sustainable Exhibit





 = 1 sq foot

General Setup Instructions

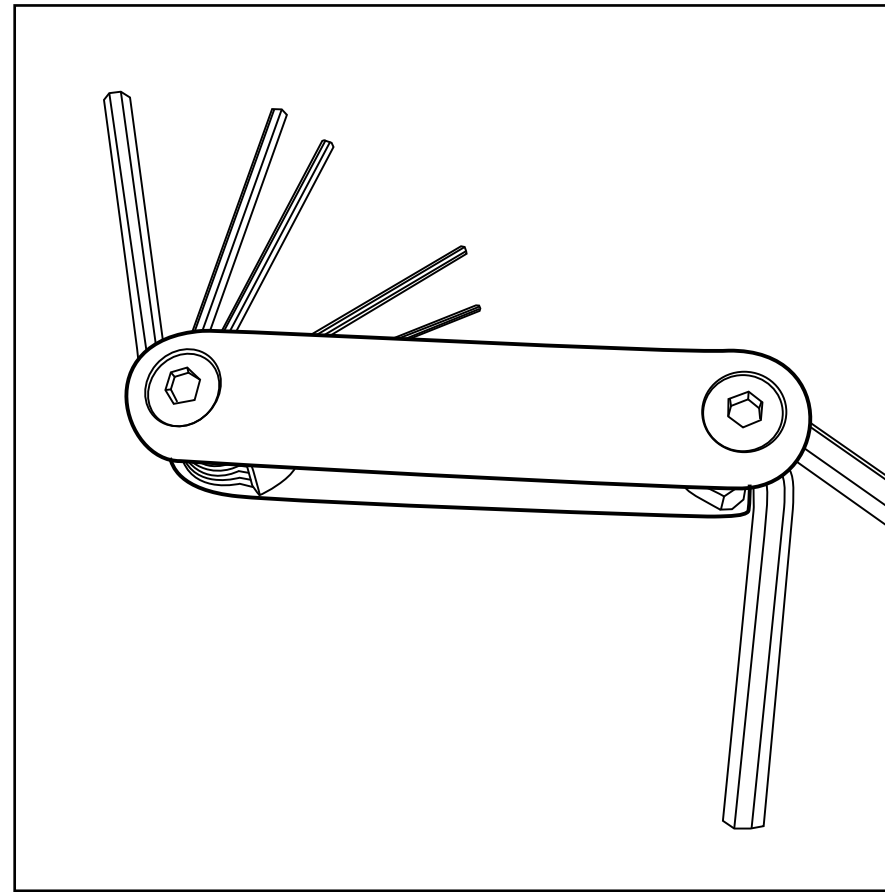
- The setup instructions are created specifically for your configuration.
- Setup instructions are laid out sequentially in levels, including exploded views and a logical series of steps for assembly. We encourage you to study the instructions before attempting to assemble your exhibit.

Cleaning and Packing

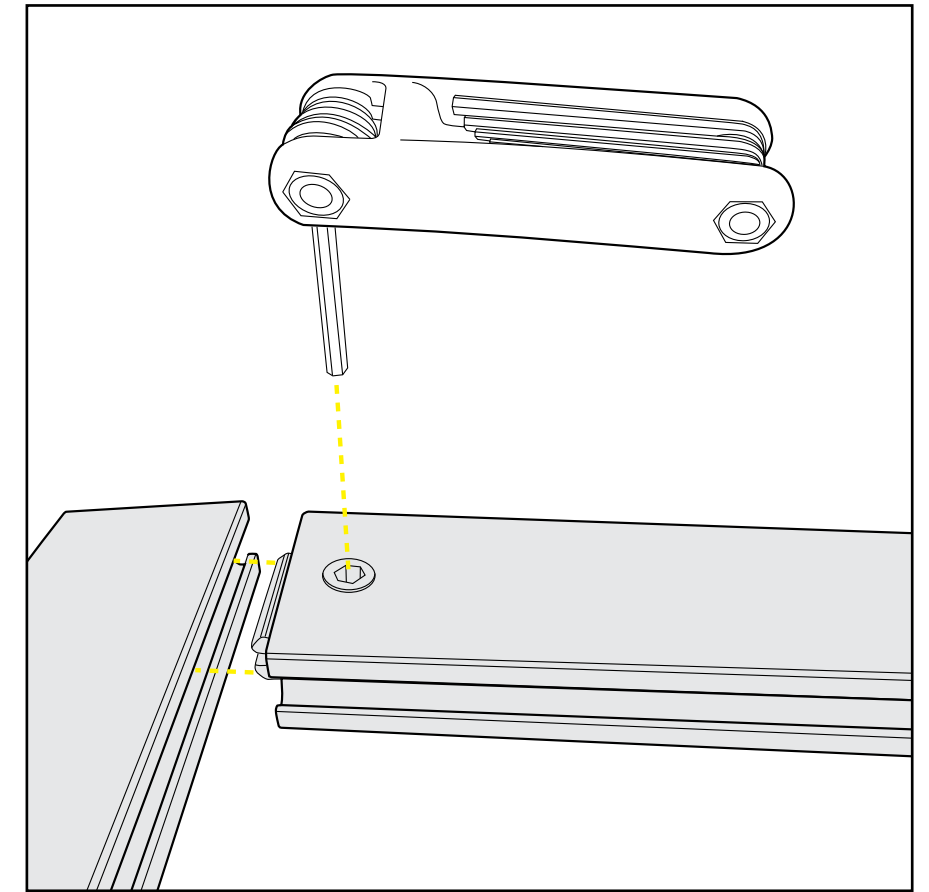
- Use non-abrasive cleaners when cleaning extrusions or ECO Glass inserts.
- Use mild cleaners and soft materials such as cotton to clean all laminates.
- Keep exhibit components away from extreme heat and long exposure to sun light. This will prevent warping and fading.
- Retain all packing material for ease of re-packing. This protects the exhibit components and keeps each part organized.

Disassembling

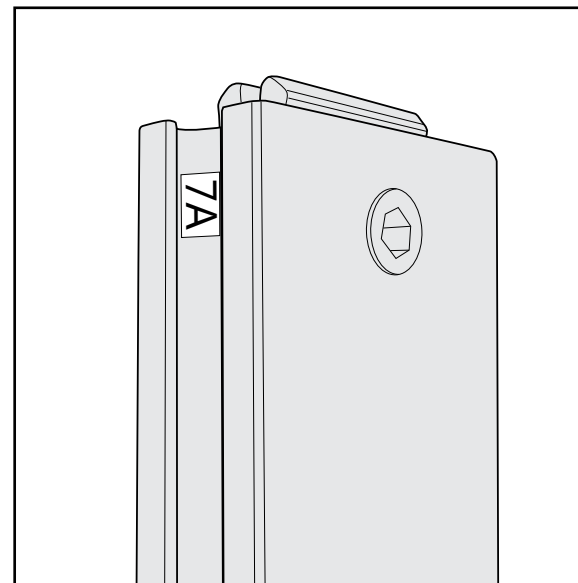
- When disassembling exhibit, tighten all setscrews to prevent loss of hardware in the shipping process.



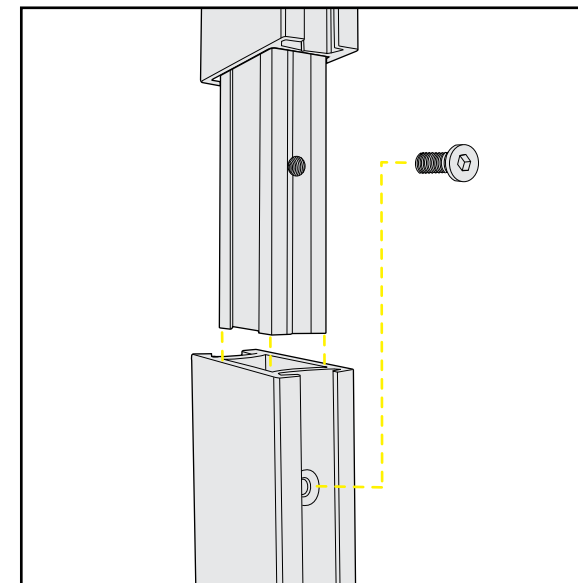
Hex Tool for Assembling Exhibit



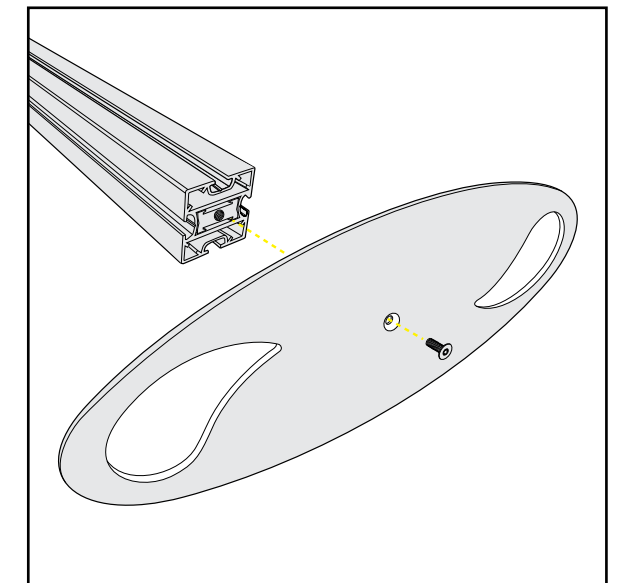
Extrusion Lock Connectors



Numbering Instructions for Setups/Packing



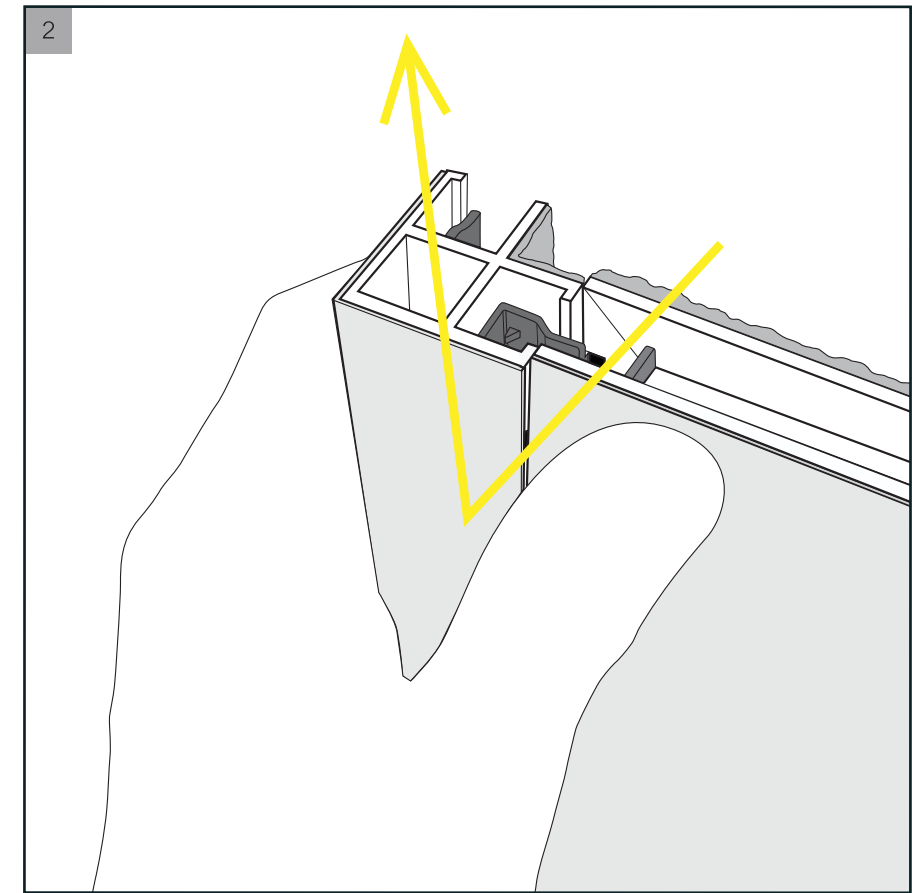
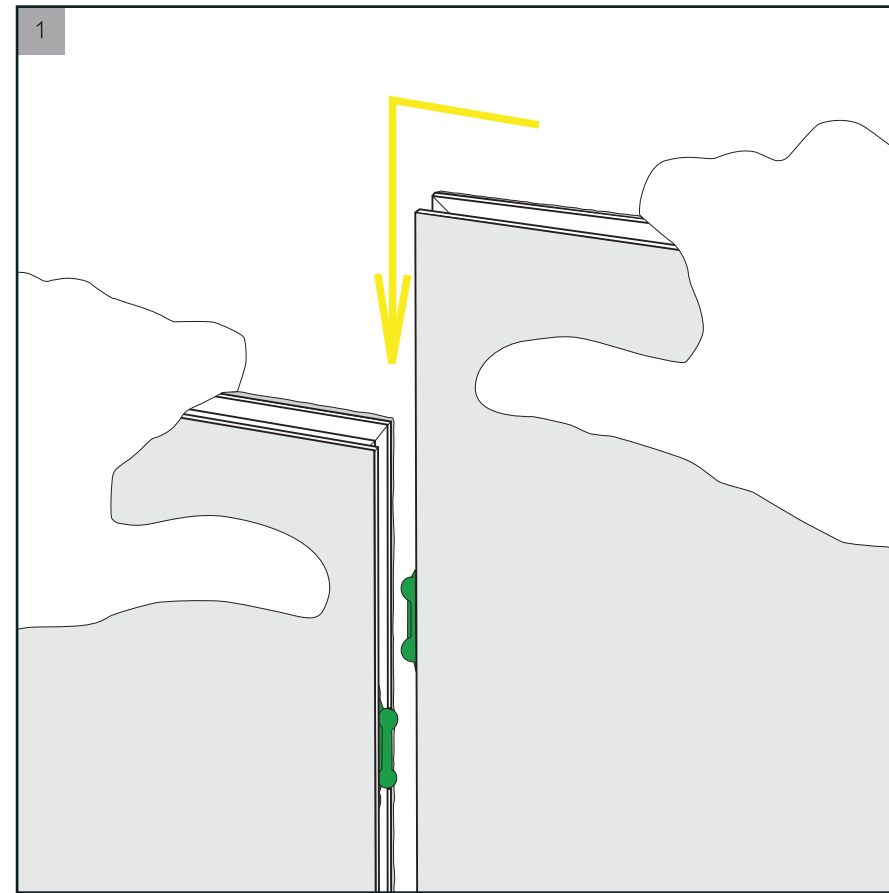
Inline Connection between Extrusions



Baseplate Connection for Vertical Extrusions

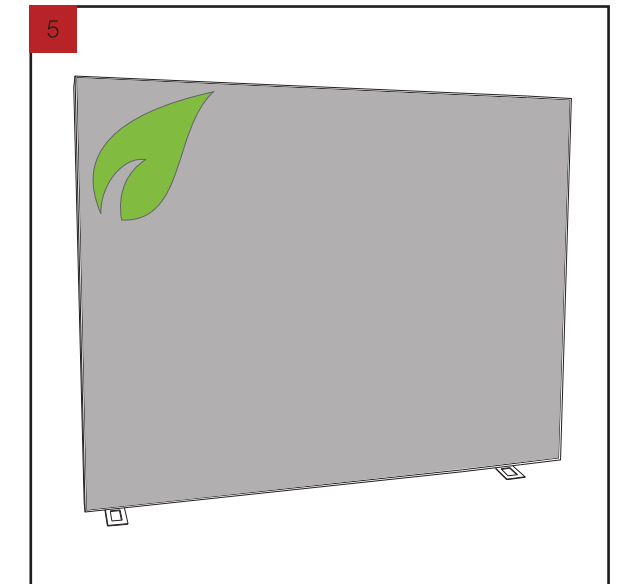
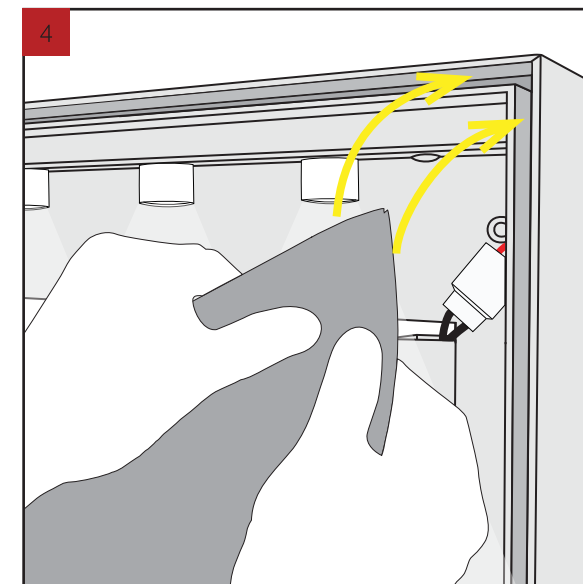
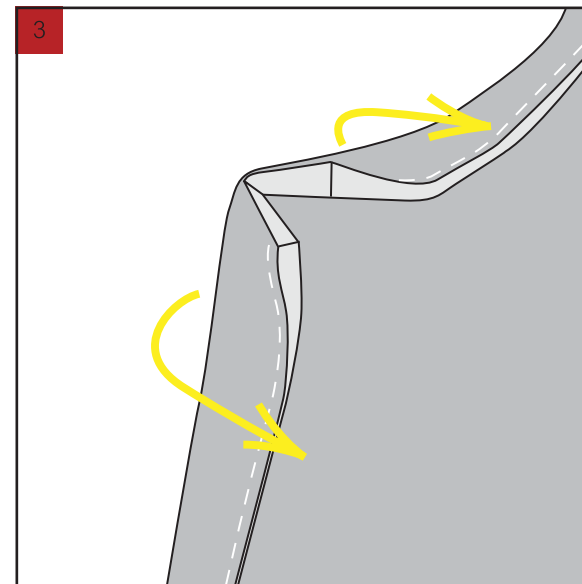
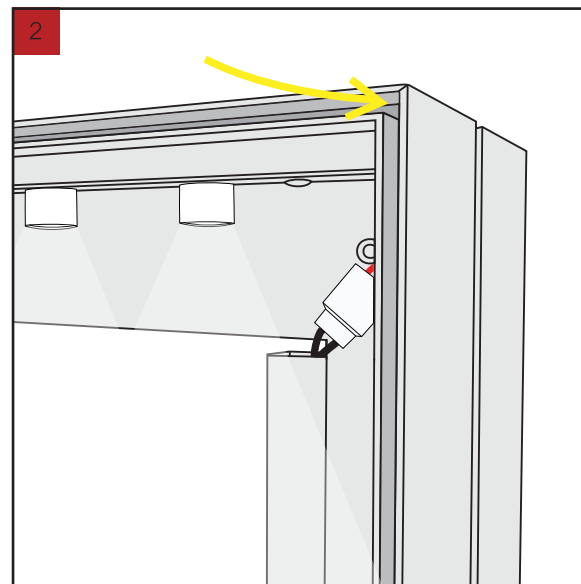
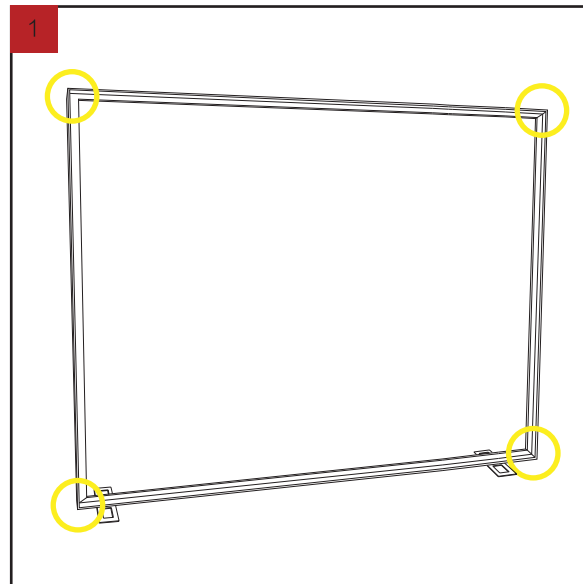
ECO Panel Install

- 1 Place ECO panel together with a vertical offset, slide down to lock connector in place.
- 2 Panel Corner Connectors are installed just like ECO panels. Remove by off-setting top lock clips horizontally followed by separating vertically.



SEG Graphic Install

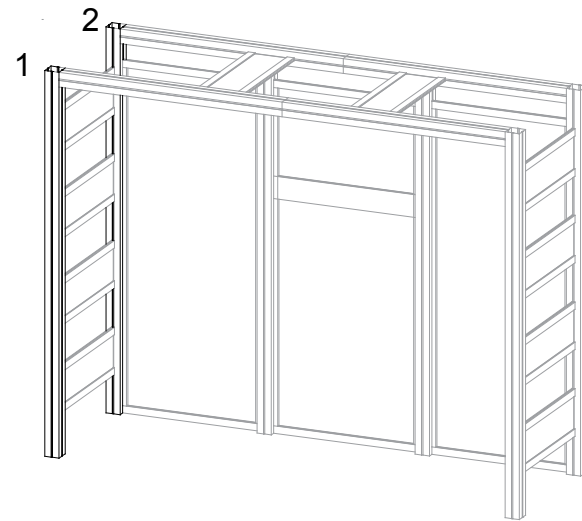
- 1 Graphic is installed corners first. This allows a proportional fit around the perimeter of the extrusion.
- 2 Locate channels along the edge of the extrusions.
- 3 Fold over graphic (hiding threads) and tuck silicon edge and fabric into corners.
- 4 After corners are complete, slide in the rest of the graphic into channel. (From edges to center)
- 5 Graphic is installed. Stand back and be amazed!



DOOR STOPPER & DOOR HINGE DETAILS

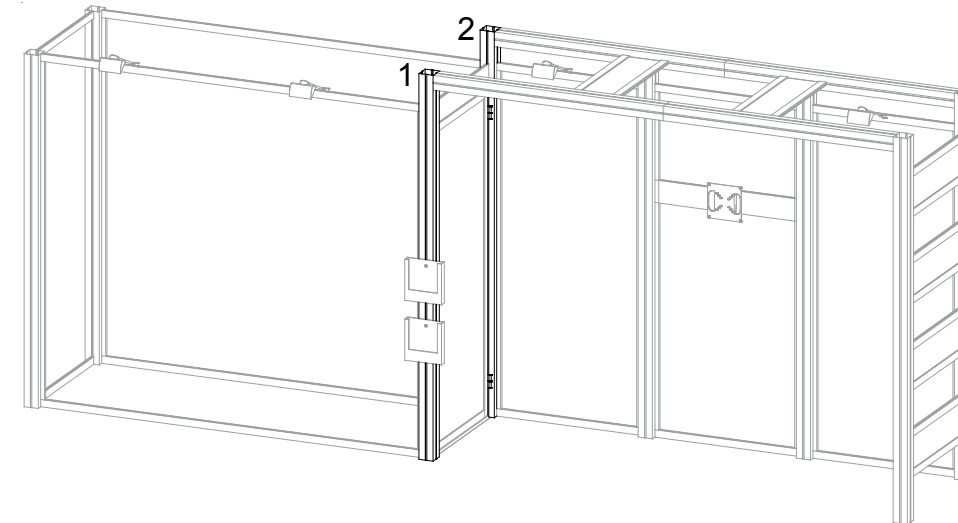
When assembling the 10'x10' configuration:

- 1) **Remove** PR37 Door Stopper from Vertical [1] by loosening set screws & removing PR37 extrusion.
- 2) **Remove** S10 w/ Door Hinge from Vertical [2] by loosening set screws & removing S10 extrusion. Keep hinges attached to S10.



When assembling 10'x20' configuration:

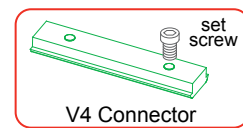
- 1) **Install** PR37 Door Stopper to Vertical [1] as shown in detail below.
- 2) **Install** S10 w/ Door Hinge to Vertical [2] as shown in detail below.



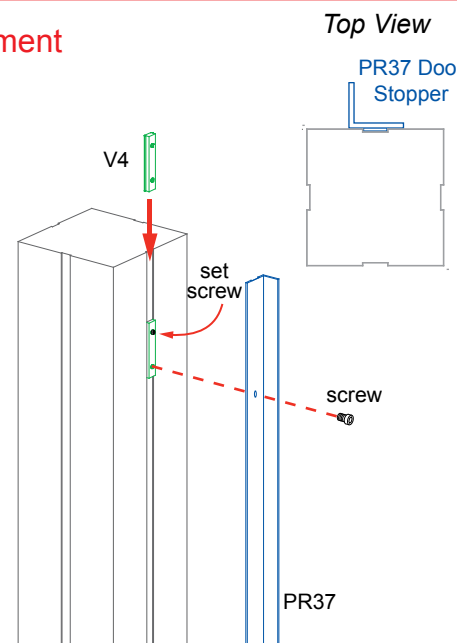
****To prevent product loss, Keep all screws attached to connector pieces after disassembling.**

PR37 Door Stopper Attachment

- 1) Slide V4 connectors into groove of vertical extrusion; tighten set screws to secure V4 connectors in place.
- 2) Attach PR37 extrusion to V4 connectors, using screws.

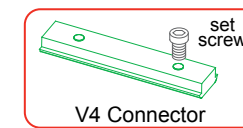


****To prevent product loss, Keep all screws attached to connector pieces after disassembling.**

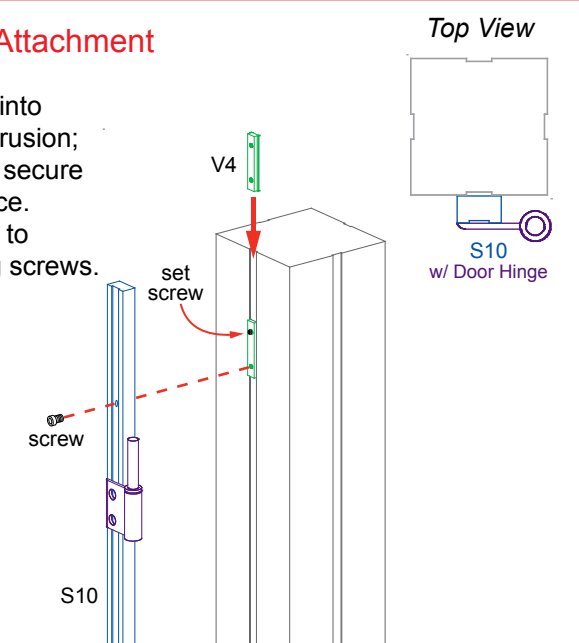


S10 w/ Door Hinge Attachment

- 1) Slide V4 connectors into groove of vertical extrusion; tighten set screws to secure V4 connectors in place.
- 2) Attach S10 extrusion to V4 connectors, using screws.



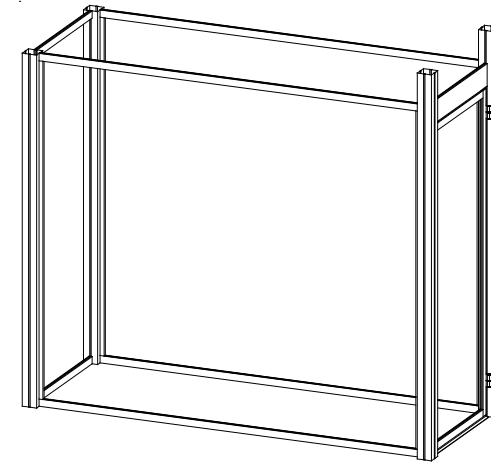
****To prevent product loss, Keep all screws attached to connector pieces after disassembling.**



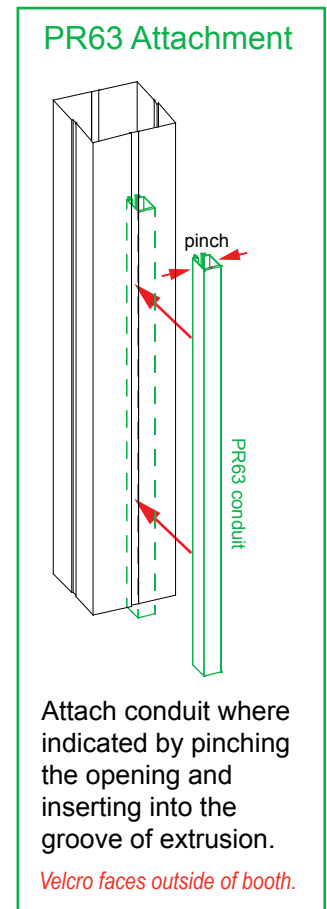
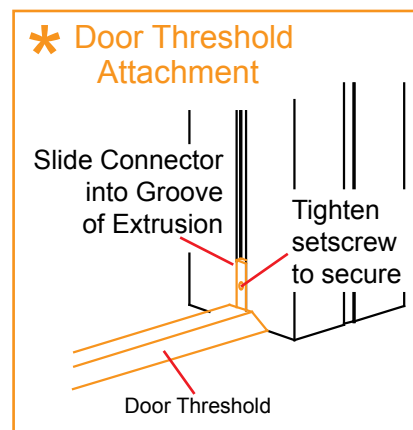
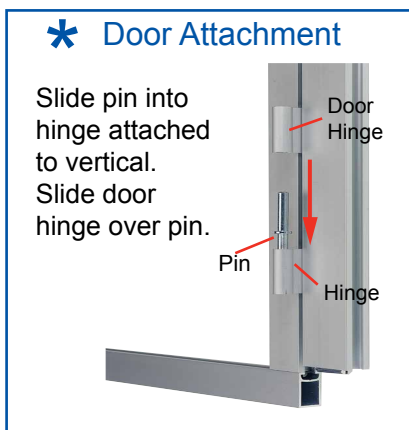
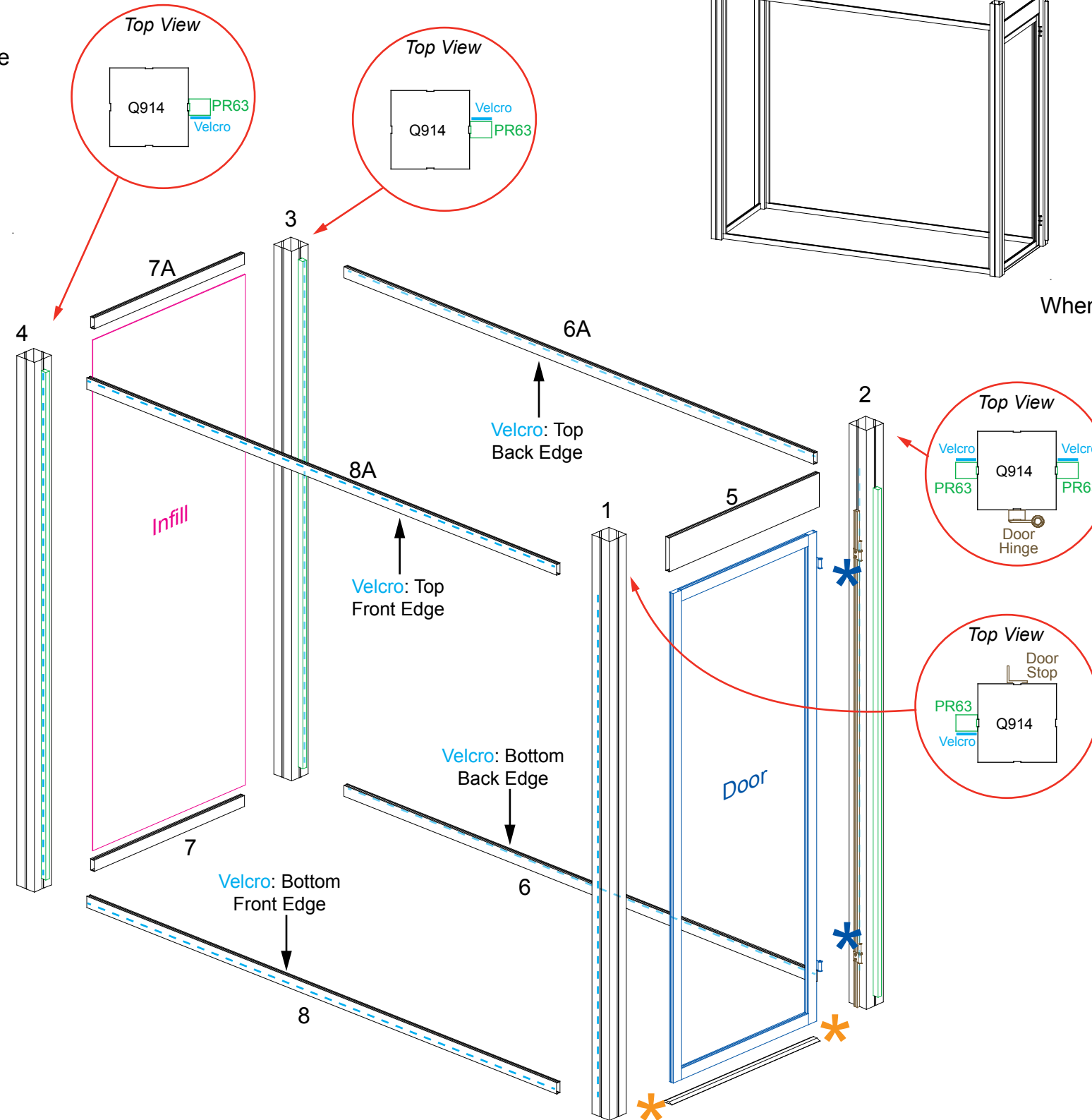
Item	Qty.	Description
1	1	94”h Q914 Vertical Extrusion w/ PR63 & Door Stop
2	1	94”h Q914 Vertical Extrusion w/ PR63 & Door Hinge
3	1	86”h Q914 Vertical Extrusion w/ PR63
4	1	86”h Q914 Vertical Extrusion w/ PR63
5	1	32”w Z140 Horizontal Extrusion
6/6A	1/1	96”w Z45 Horizontal Extrusion
7/7A	1/1	32”w Z45 Horizontal Extrusion
8/8A	1/1	96”w Z45 Horizontal Extrusion
--	1	Door Threshold

Steps:

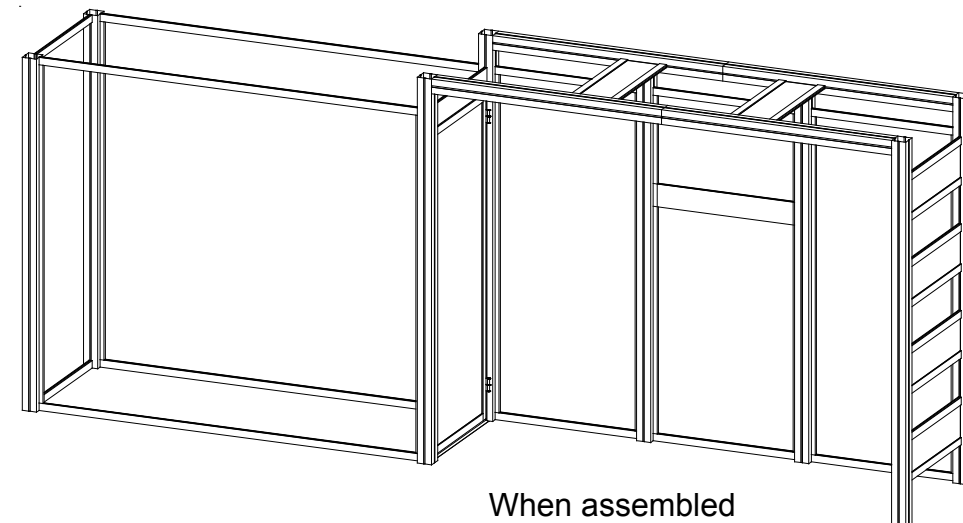
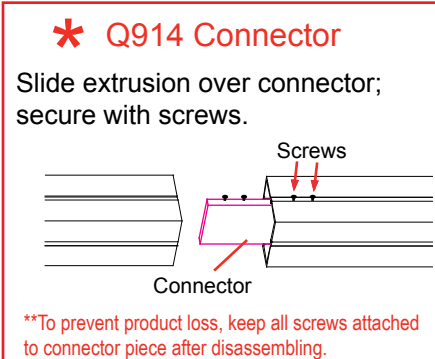
- 1) Install Door Stop to vertical [1] & Door Hinge to vertical [2] prior to assembly. Refer to the *Door Stopper & Door Hinge details page*.
- 2) Attach Horizontal [5] & Door Threshold between verticals [1,2]. See **Door Threshold Attachment** detail.
- 3) Connect horizontals [6,6A] between verticals [2,3]. Note: Velcro faces back of closet assembly.
- 4) Attach lower horizontal [7] between verticals [3,4]; slide **infill** between verticals & secure with upper horizontal [7A].
- 5) Connect horizontals [8,8A] between verticals [1,4]; Note: Velcro faces front of closet assembly.
- 6) Install Door to vertical [2]. See **Door Attachment** detail.
- 7) Apply Fabric Graphic to **Velcro** on front of closet assembly.
- 8) Apply Fabric Blocker to **Velcro** on back of closet assembly.



When assembled

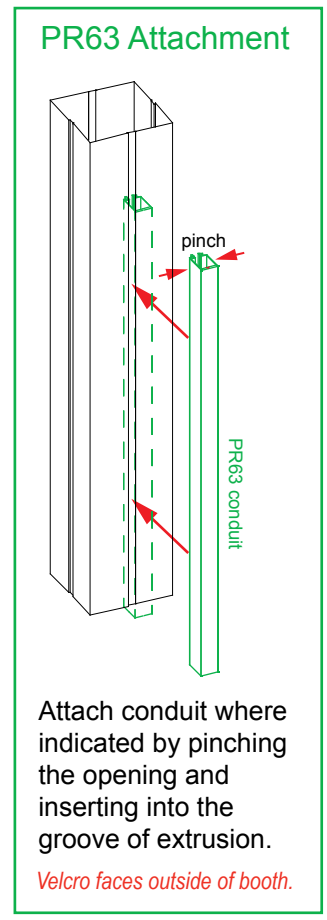
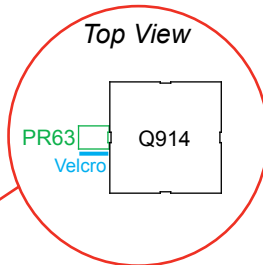
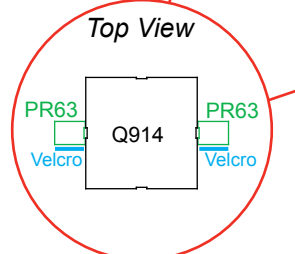
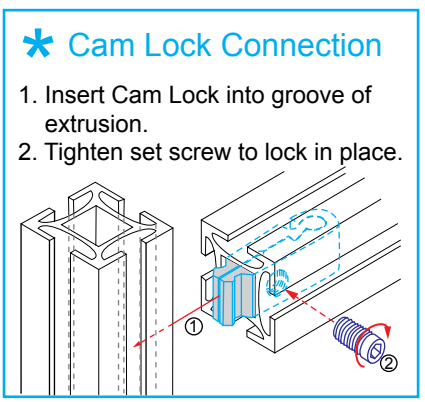
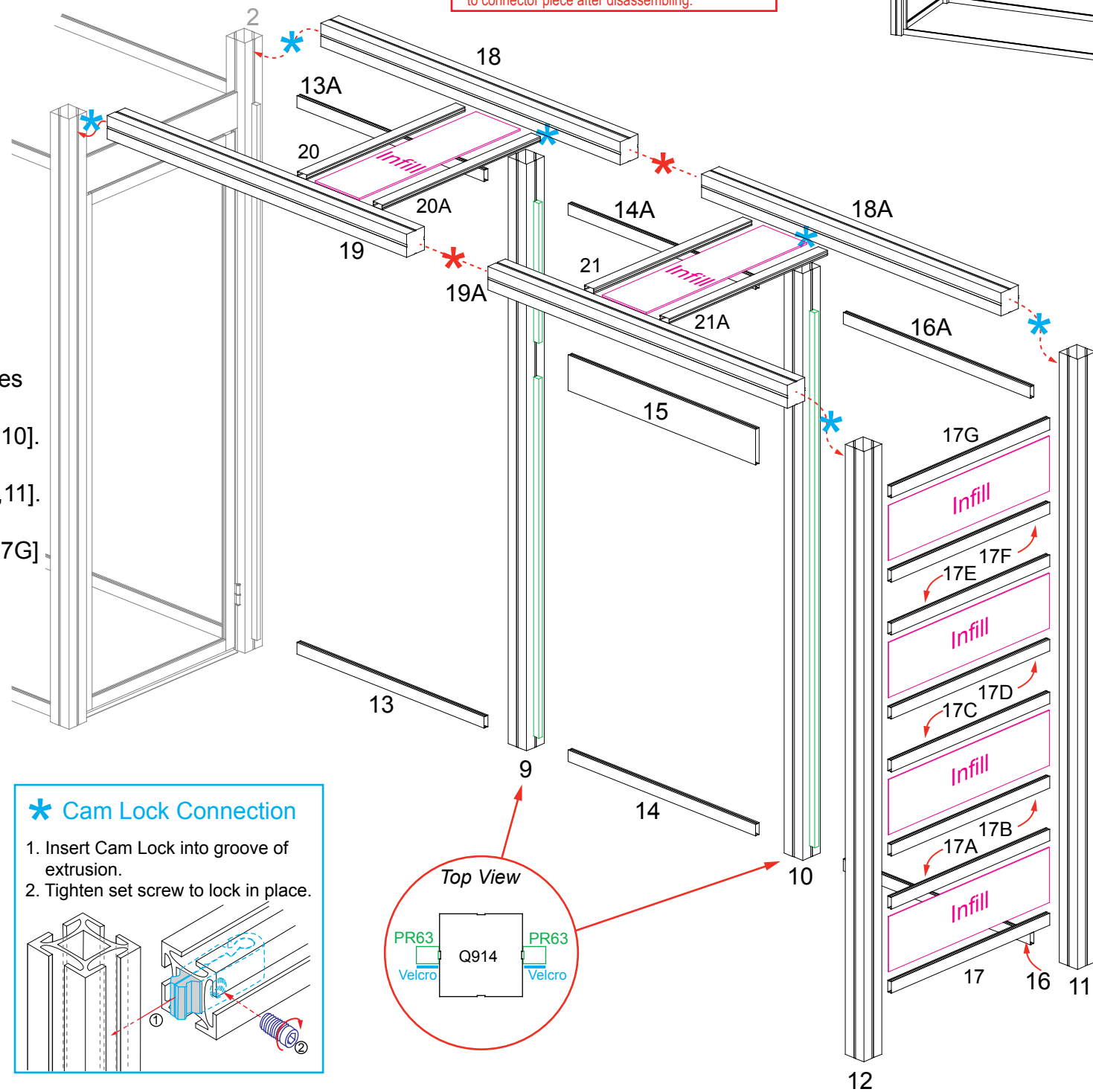


Item	Qty.	Description
9	1	90.4173" h Q914 Vertical Extrusion w/ PR63
10	1	90.4173" h Q914 Vertical Extrusion w/ PR63
11	1	94" h Q914 Vertical Extrusion w/ PR63
12	1	94" h Q914 Vertical Extrusion
13/13A	1/1	34.528" w Z45 Horizontal Extrusion
14/14A	1/1	36.278" w Z45 Horizontal Extrusion
15	1	36.278" w Z140 Horizontal Extrusion
16/16A	1/1	34.528" w Z45 Horizontal Extrusion
17,17A	1,1	32" w Z45 Horizontal Extrusion
17B,17C	1,1	32" w Z45 Horizontal Extrusion
17D,17E	1,1	32" w Z45 Horizontal Extrusion
17F,17G	1,1	32" w Z45 Horizontal Extrusion
18/18A	1/1	58" w Q914 Horizontal Extrusion
19/19A	1/1	58" w Q914 Horizontal Extrusion
20/20A	1/1	32" w Z45 Horizontal Extrusion
21/21A	1/1	32" w Z45 Horizontal Extrusion



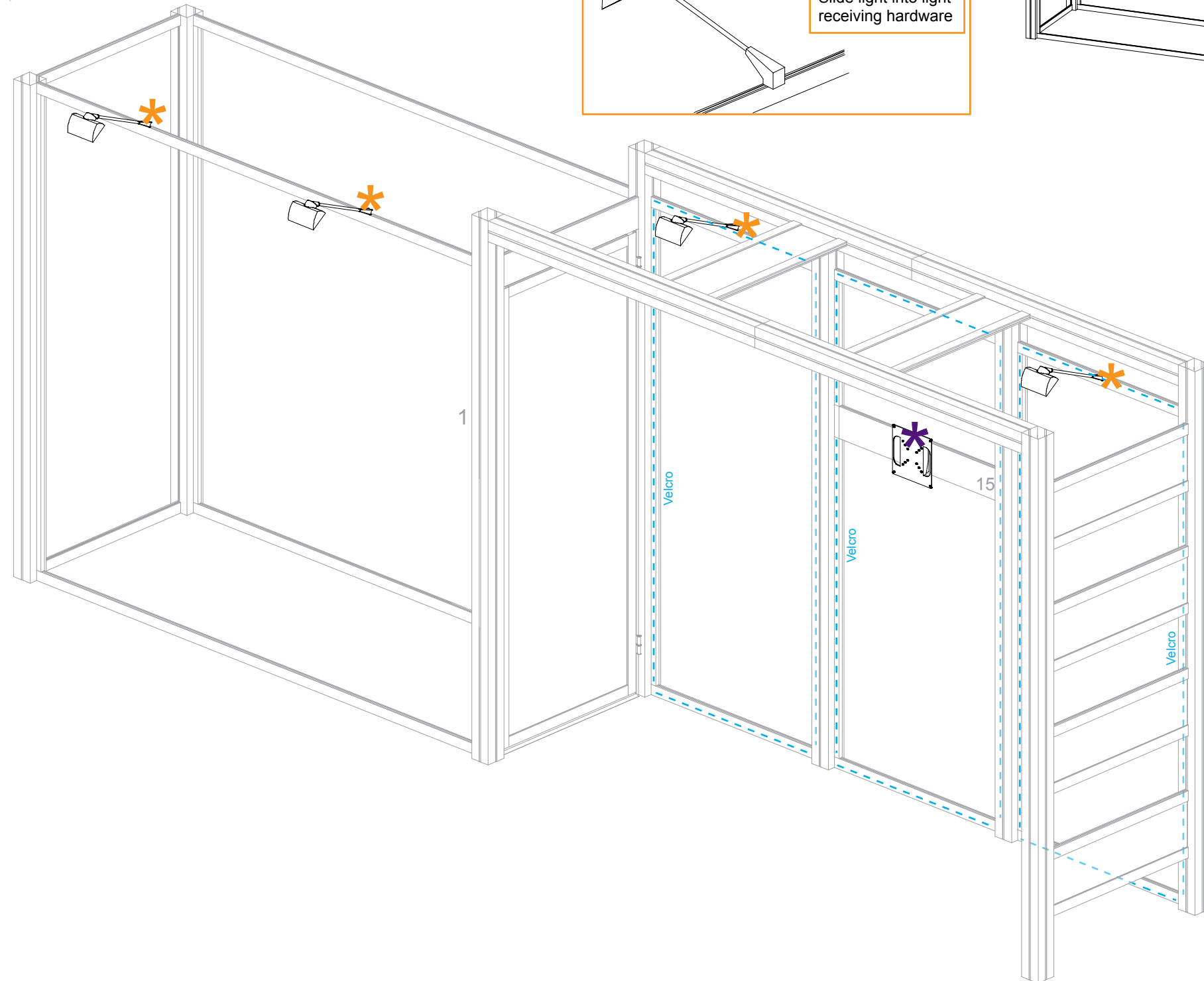
Steps:

- 1) Connect horizontals [13, 13A] between vertical [2] of closet assembly and vertical [9]. Note: Velcro faces front of backwall assembly.
- 2) Attach horizontals [14, 14A, 15] between verticals [9, 10]. Note: Velcro faces front of backwall assembly.
- 3) Connect horizontals [16, 16A] between verticals [10, 11]. Note: Velcro faces front of backwall assembly.
- 4) Attach horizontals [17, 17A, 17B, 17C, 17D, 17E, 17F, 17G] between verticals [11, 12], inserting **infills** as shown.
- 5) Assemble horizontals [18-18A] & [19-19A] together. See **Q914 Connector** detail.
- 6) Connect horizontals [20, 20A] between horizontals [18, 19], inserting **infill** as shown.
- 7) Attach horizontals [21, 21A] between horizontals [18A, 19A], inserting **infill**.
- 8) Attach assembly [18/18A/19/19A/20/20A/21/21A] between verticals [1, 2, 11, 12], and lock to top of verticals [9, 10]. See **Cam Lock Connection** detail.



Steps:

- 1) Apply Fabric Graphics to **Velcro** on backwall.
- 2) Install Monitor Mount to horizontal [15], over the fabric graphic. See **Monitor Mount Attachment** detail.
- 3) Connect Lights to top of assembly as shown. See **Light Attachment** detail.

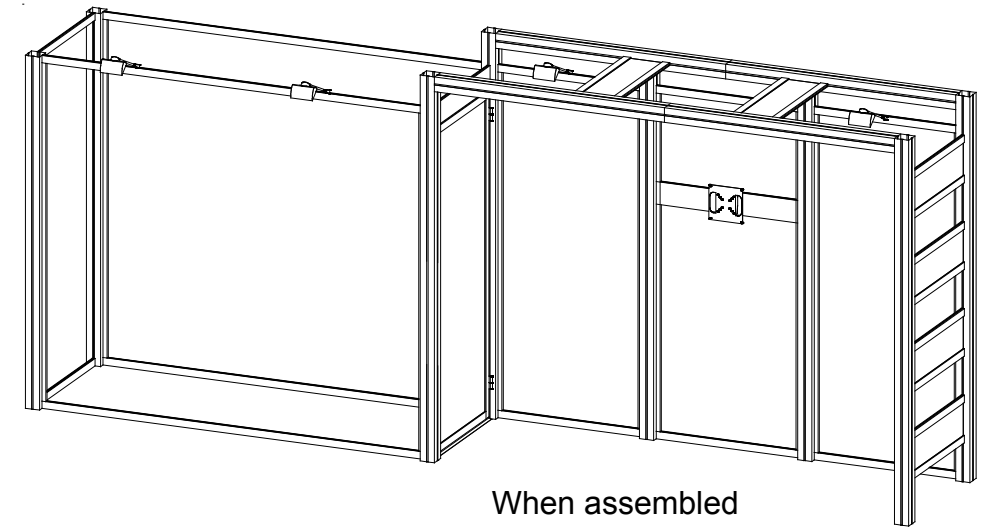


*** Light Attachment**

Lock Clip into Groove of Horizontal Extrusion, then slide Light onto Clip.

Lock into groove of horizontal

Slide light into light receiving hardware



When assembled

*** Monitor Mount Attachment**

Fabric graphic

Wing Nuts

Bolts

Monitor Mount

Attach Monitor Mount to horizontal extrusion using bolts & wing nuts.

Note: Monitor mounts install over fabric graphic.

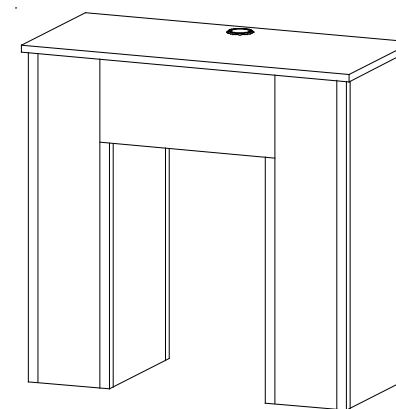
Item	Qty.	Description
1	1	35.25"h 90° Panel Connector
2	1	14"w x 35.25"h Panel
3	1	35.25"h 90° Panel Connector
4	1	7"w x 35.25"h Panel
5	1	26.25"h 90° Panel Connector
6	1	14"w x 26.25"h Panel
7	1	9"w x 19.75"h Panel
8	1	26.25"h 90° Panel Connector
9	1	14"w x 26.25"h Panel
10	1	7"w x 35.25"h Panel
11	1	35.25"h 90° Panel Connector
12	1	14"w x 35.25"h Panel
13	1	35.25"h 90° Panel Connector
14	1	7"w x 35.25"h Panel
15	1	26.25"h 90° Panel Connector
16	1	9"w x 19.75"h Panel
17	1	26.25"h 90° Panel Connector
18	1	7"w x 35.25"h Panel

ECO-16C Counter

Steps:

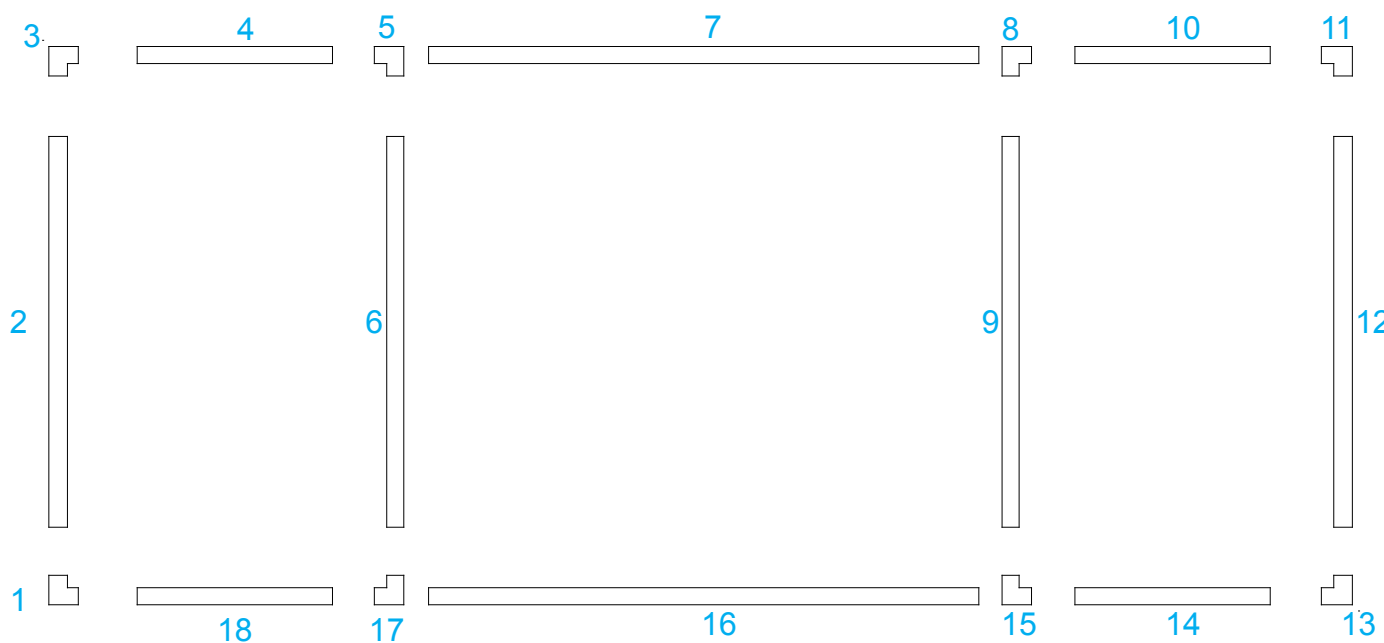
- 1) Assemble the panels [1] through [18] in numerical order as shown below.
- 2) Place countertop onto assembled lower assembly.

Repeat steps 1 & 2 for other counter assembly.



When assembled

QTY - 2



TOP VIEW

