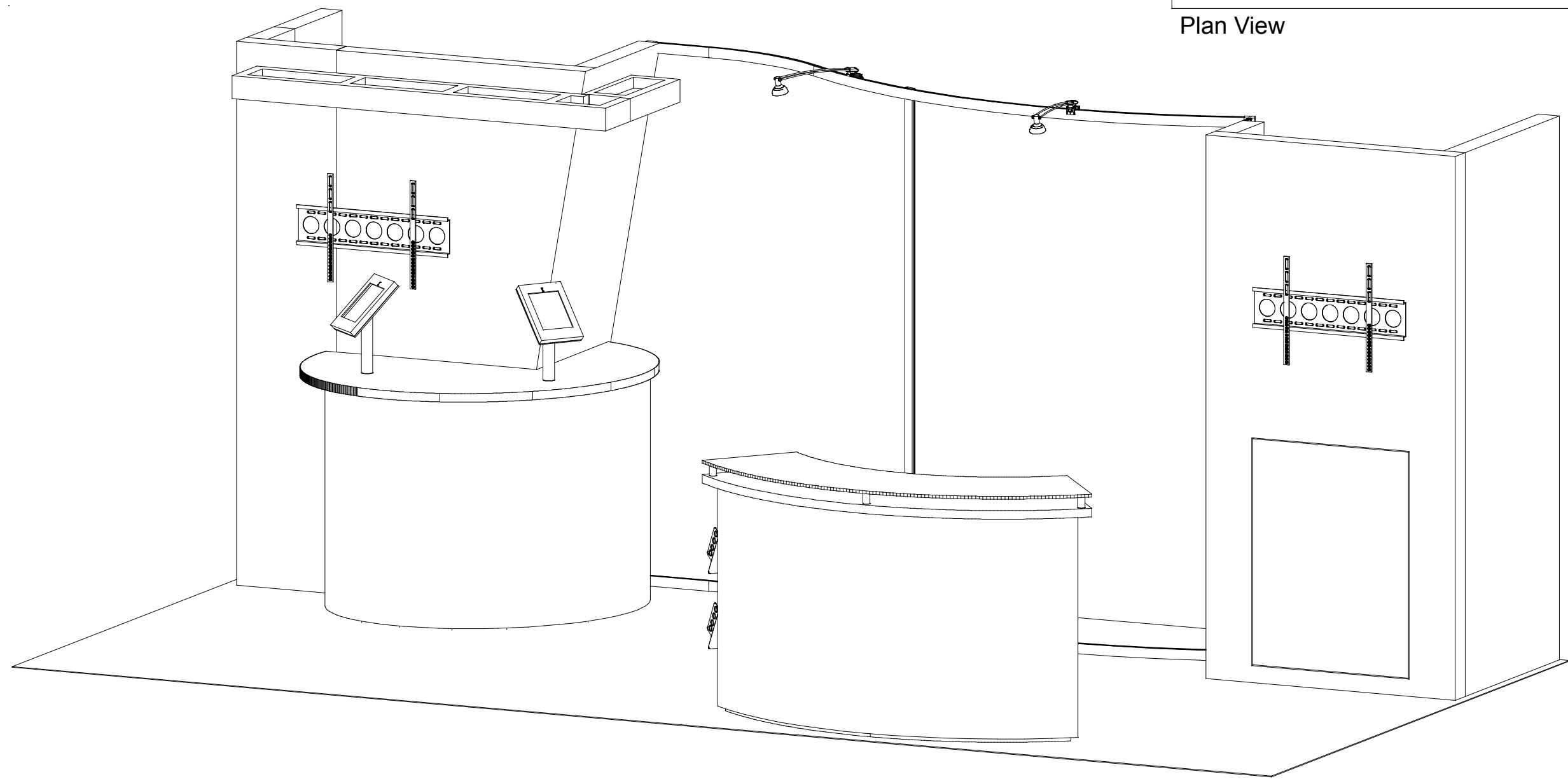


Plan View



General Setup Instructions

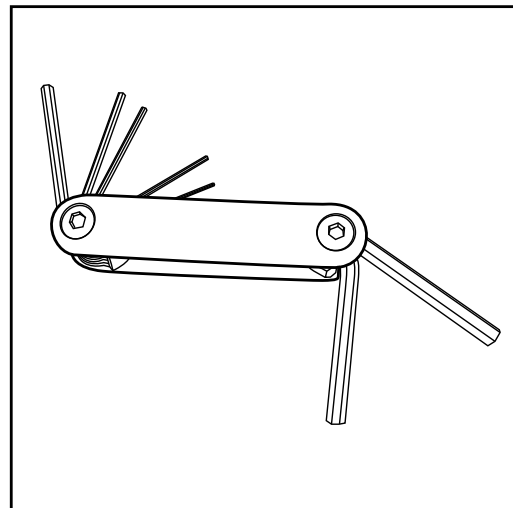
- Read entire setup instruction manual prior to unpacking parts and pieces.
- The setup instructions are created specifically for this configuration.
- Setup instructions are laid out sequentially in steps, including exploded views with detailed explanation for assembly.

Cleaning & Packing

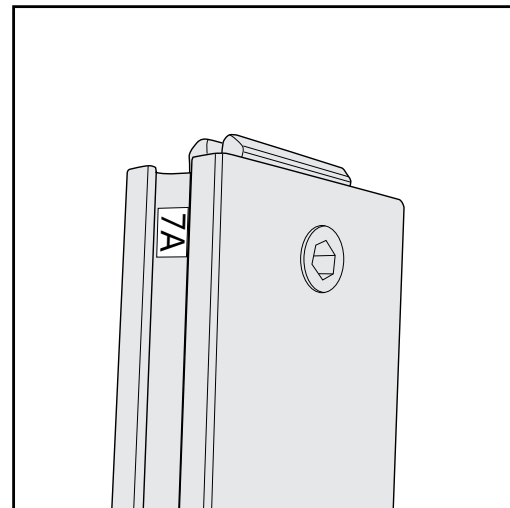
- For Cleaning Metal, Plex, & Laminate Parts: Use a **MILD NON-ABRASIVE** cleanser and soft cloth/paper towel to clean all surfaces.
- Keep exhibit components away from heat and prolonged sun exposure.
Heat and UV exposure will warp and fade components.
- Retain all provided Packing Materials. All provided packing materials are for ease of repacking & component protection.

Disassembly

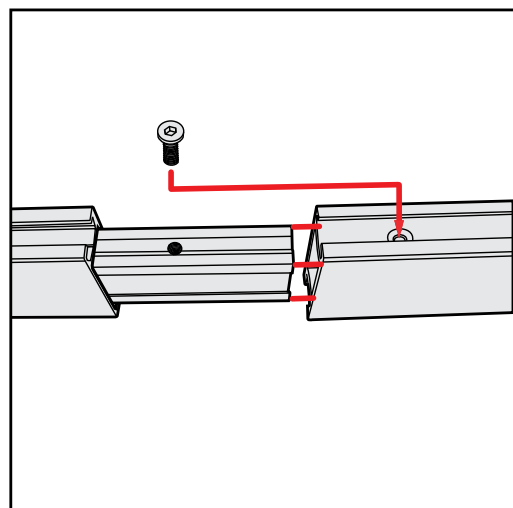
- For loss prevention, tighten all setscrews and locks during disassembly



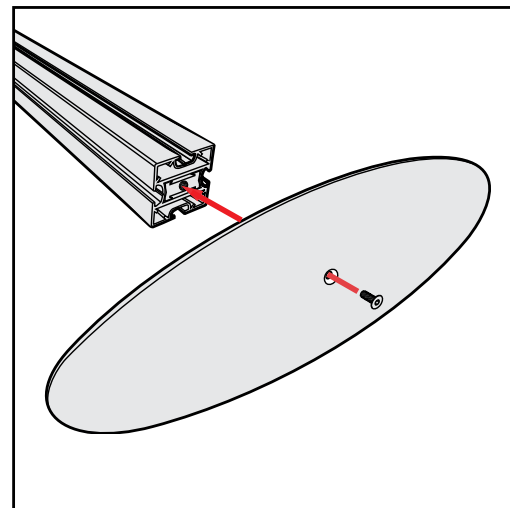
Hex Tool - Essential for Assembly



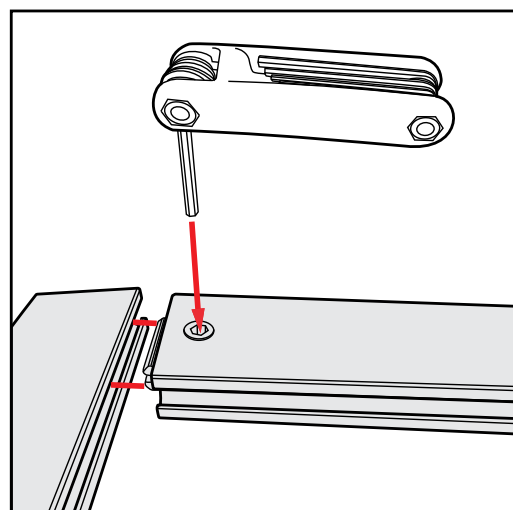
Part Identification - Numbering



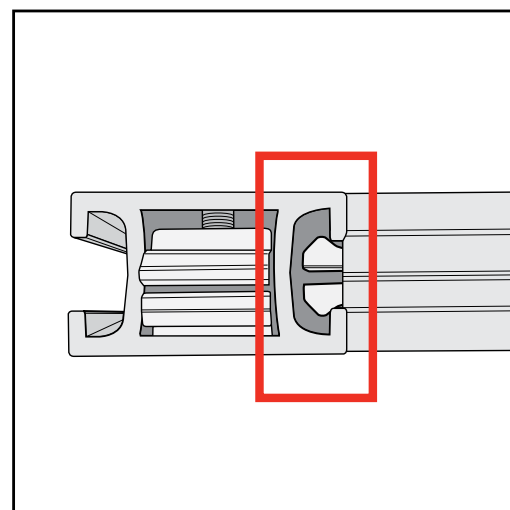
Spline Connection



Base Plate & Extrusion Connection



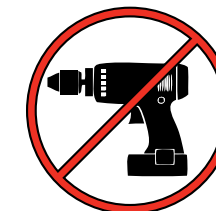
Extrusion & Lock Connection



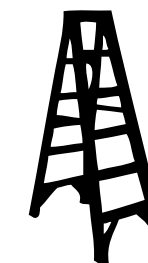
Engaged Lock



WARNING



DO NOT USE POWER TOOLS



LADDERS OR LIFTS
MAY BE REQUIRED

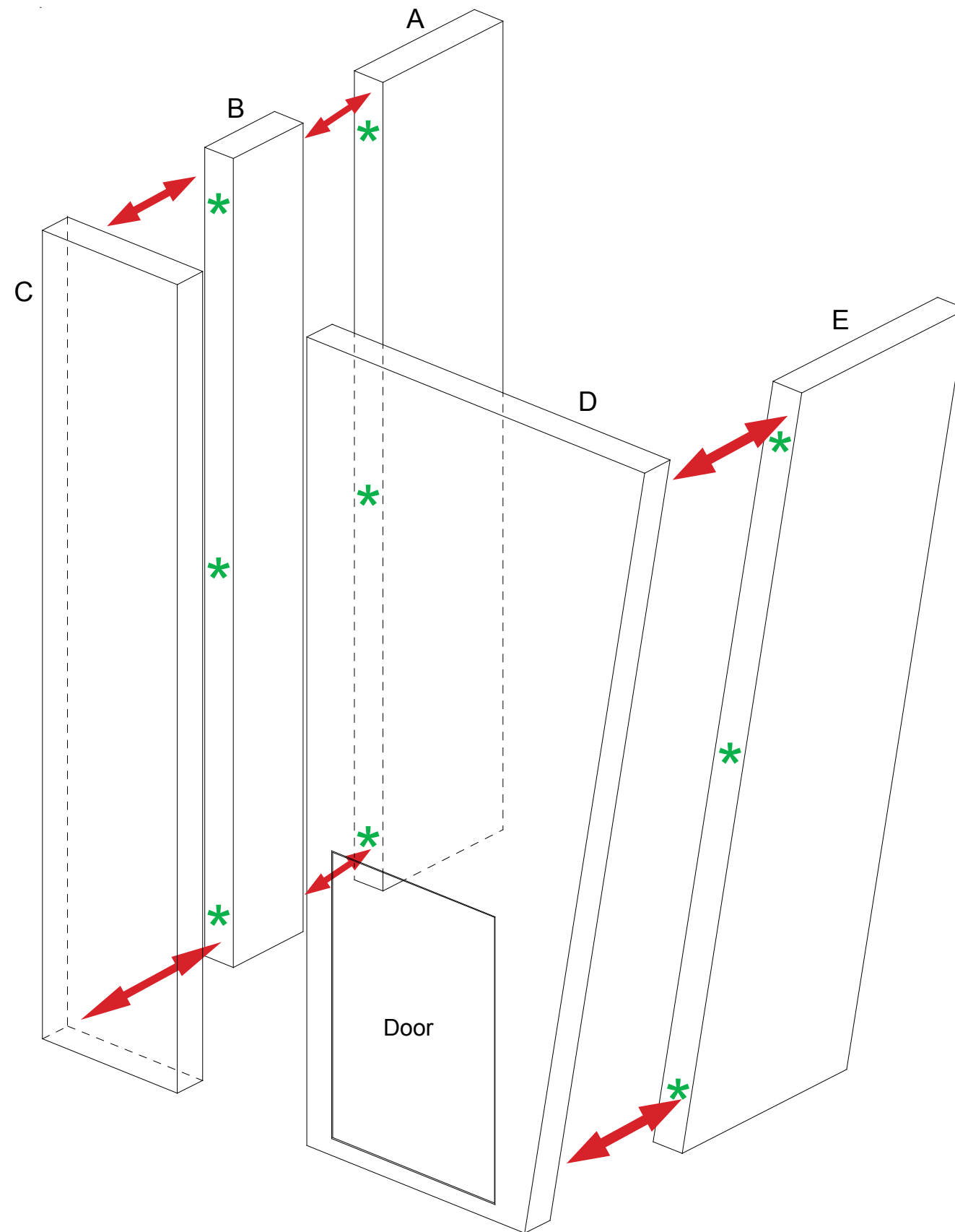
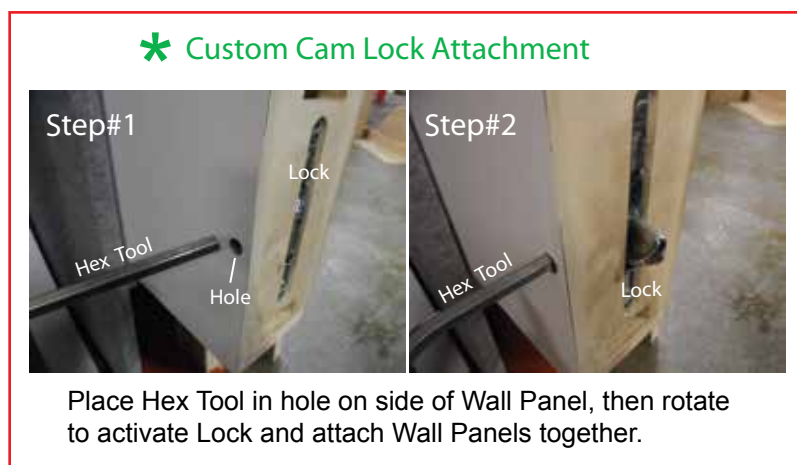


ALL CONNECTIONS MUST
BE TIGHTLY SECURED

Item	Qty.	Description
A	1	19"w x 95.5"h Wall Panel
B	1	11"w x 95.5"h Wall Panel
C	1	19"w x 95.5"h Wall Panel
D	1	47.5058"w x 95.5"h Wall Panel w/ Cabinet Door
E	1	26"w x 95.4998"h Angled Wall Panel

Steps:

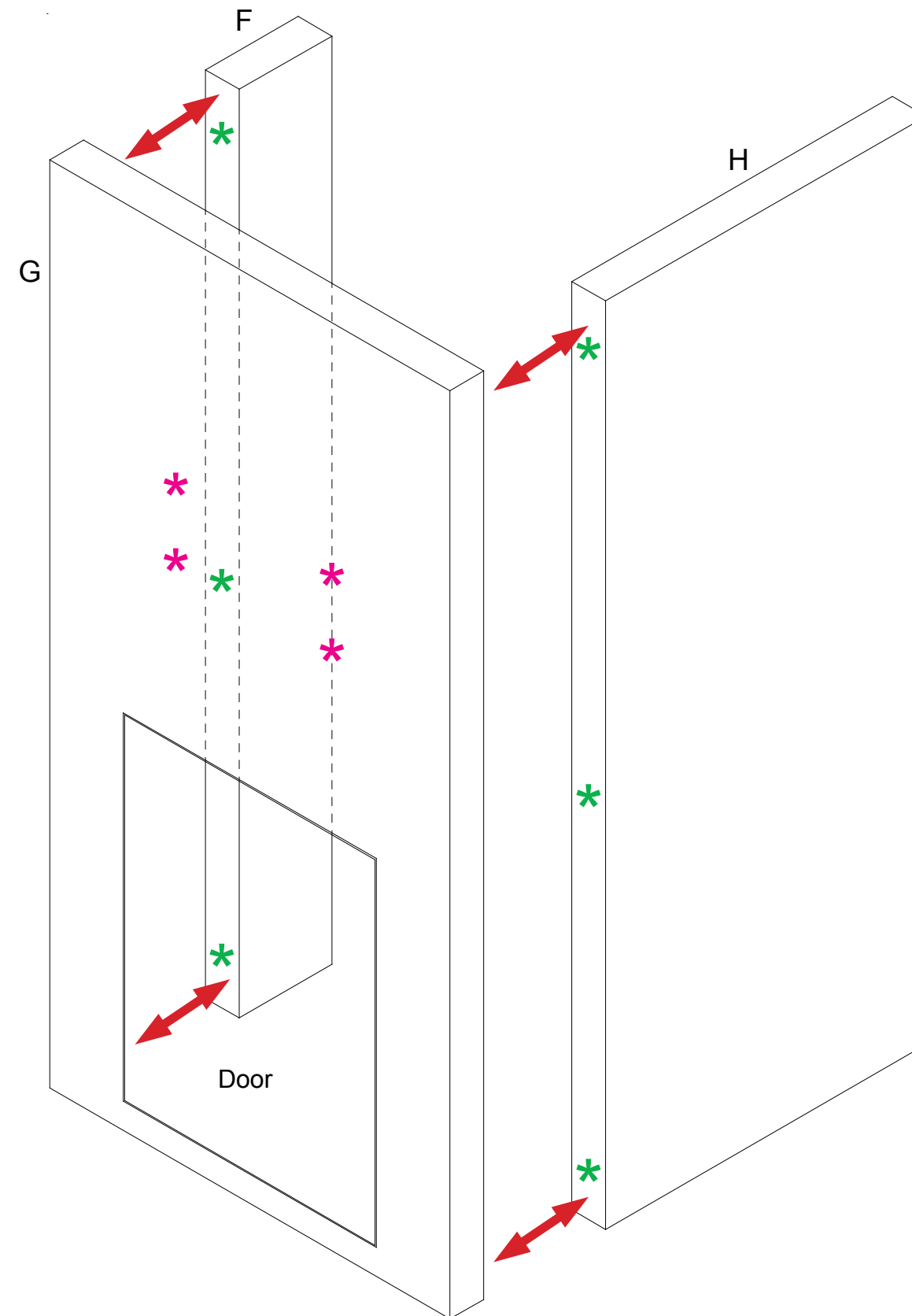
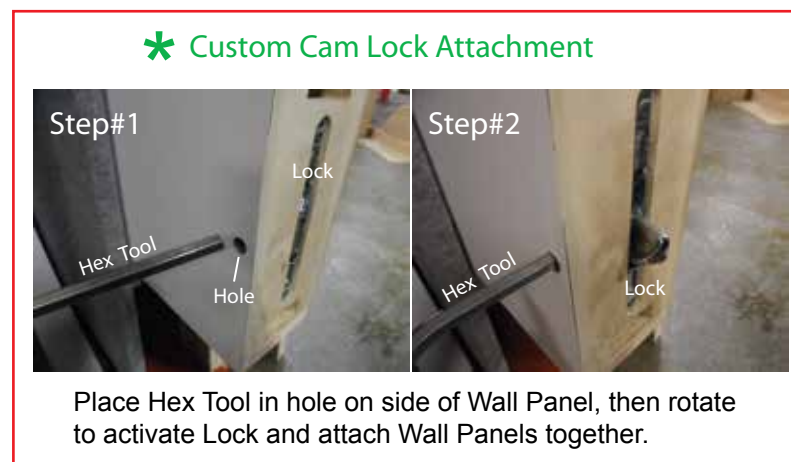
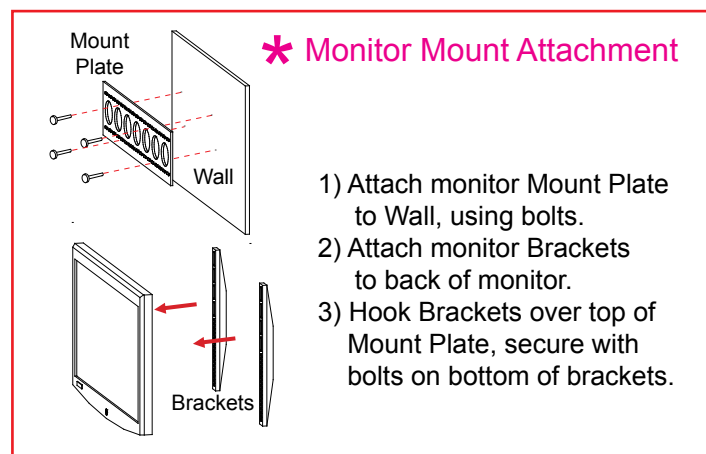
- 1) Connect Wall Panels in alphabetical order.
See [Custom Cam Lock Attachment](#) detail.



Item	Qty.	Description
F	1	11"w x 95.5"h Wall Panel
G	1	47.5"w x 95.5"h Wall Panel w/ Door
H	1	38"w x 95.5"h Wall Panel

Steps:

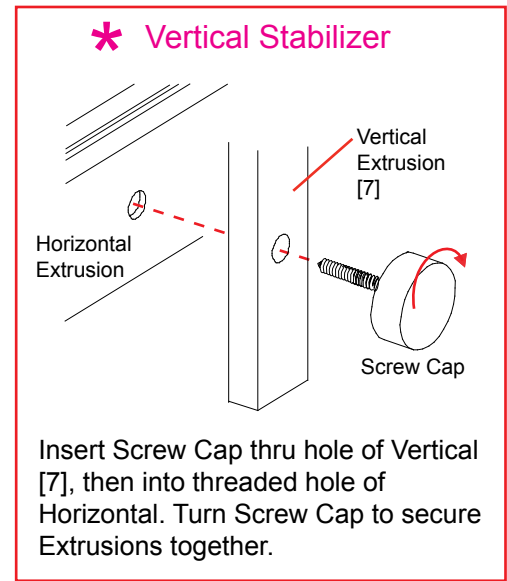
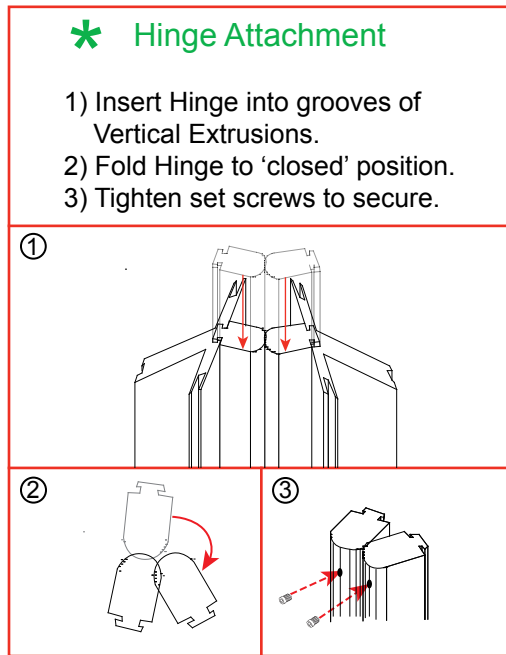
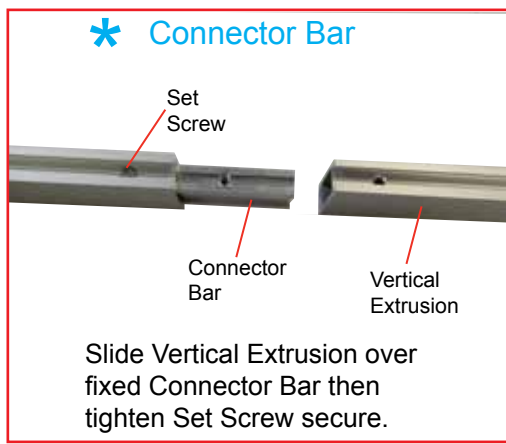
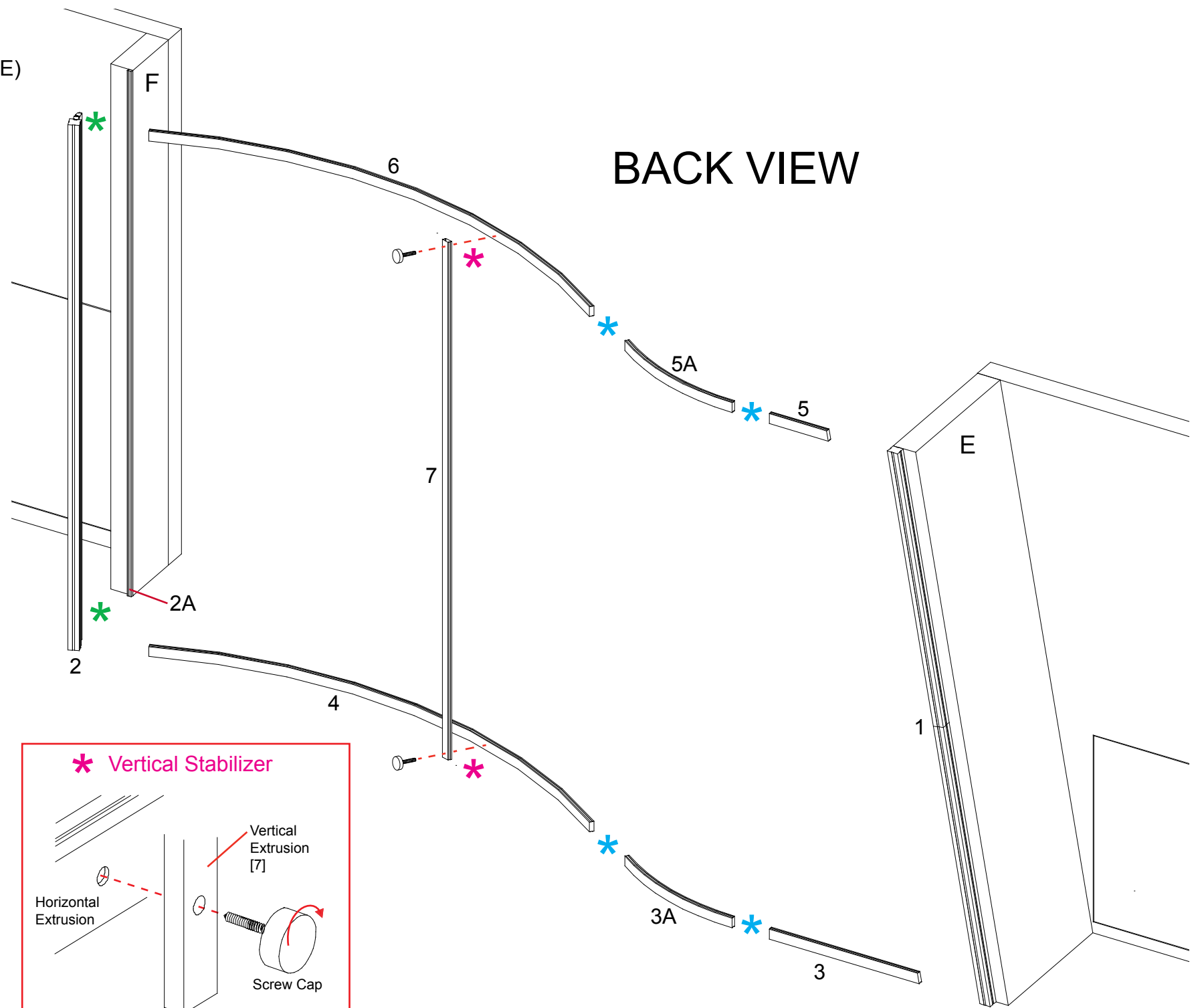
- 1) Connect Wall Panels in alphabetical order.
See [Custom Cam Lock Attachment](#) detail.
- 2) Attach monitor Mount Plate to Wall D
See [Monitor Mount Attachment](#) detail.



Item	Qty.	Description
1	1	97.292" h S40 Vertical Extrusion w/ Mitered End (attached to Wall Panel E)
2	1	95.5" h S40 Vertical Extrusion w/ Hinge
2A	1	95.5" h S10 Modul Connector (attached to Wall Panel F)
3	1	27.25" w Z45 Horizontal Extrusion
3A	1	25.9572" w Z45 Curved Horizontal Extrusion
4	1	92.3716" w Z45 Curved Horizontal Extrusion
5	1	10.7262" w Z45 Horizontal Extrusion
5A	1	25.9572" w Z45 Curved Horizontal Extrusion
6	1	92.3716" w Z45 Curved Horizontal Extrusion
7	1	95.5" h Z45 Vertical Extrusion

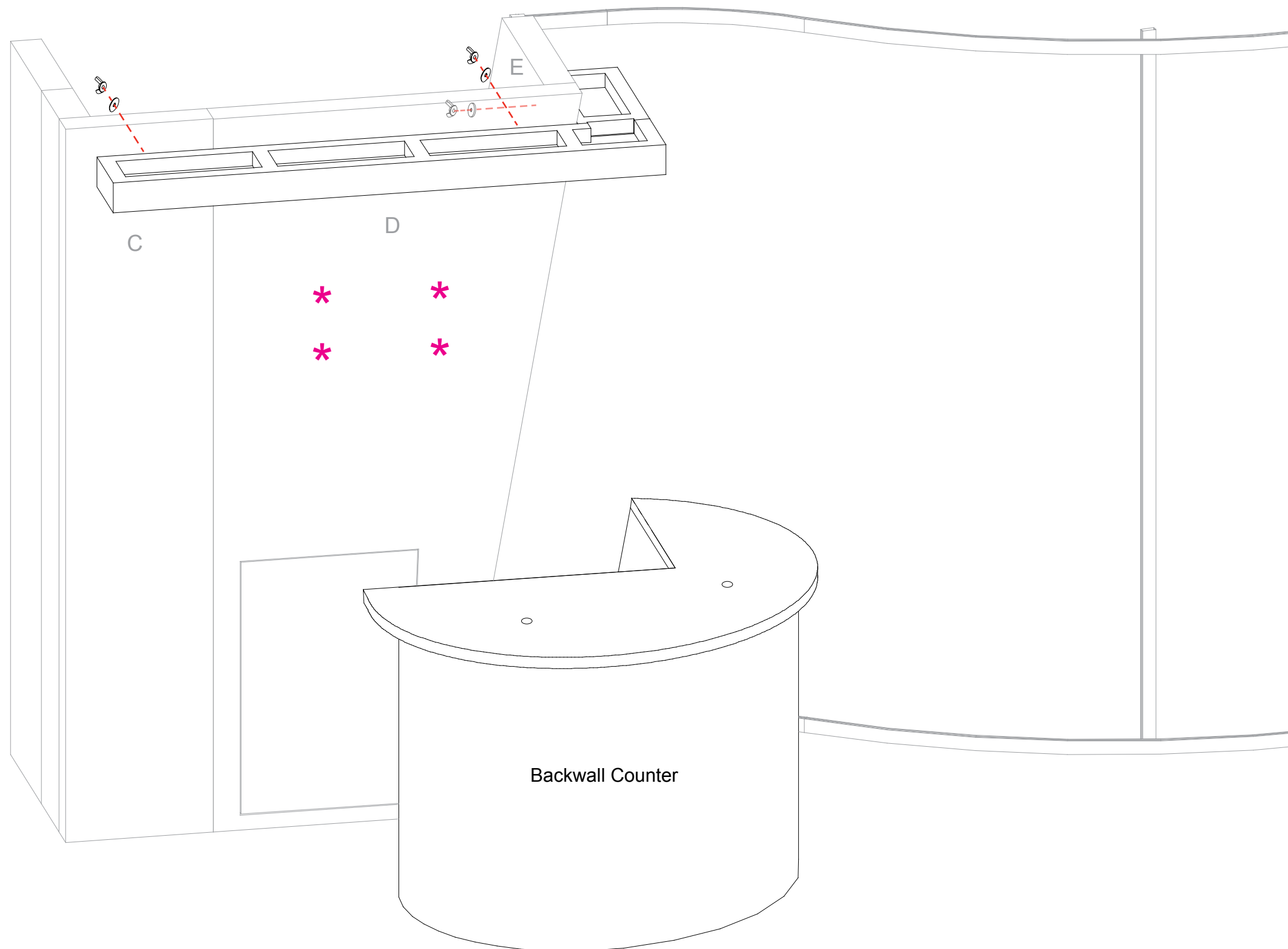
Steps:

- 1) Connect Horizontals [3], [3A], & [4] together. See [Connector Bar](#) detail. Repeat step for Horizontals [5], [5A], & [6].
- 2) Connect Vertical [2] to Vertical [2A]. See [Hinge Attachment](#) detail.
- 3) Attach Horizontal assemblies between Verticals [1] & [2/2A].
- 4) Connect Vertical [7] to the back of Horizontals [4] & [6]. See [Vertical Stabilizer](#) detail.



Steps:

- 1) Attach Ceiling to Walls C, D, & E.
- 2) Attach monitor Mount Plate to Wall D
See **Monitor Mount Attachment** detail.
- 3) Place assembled Backwall Counter next to Walls D & E.

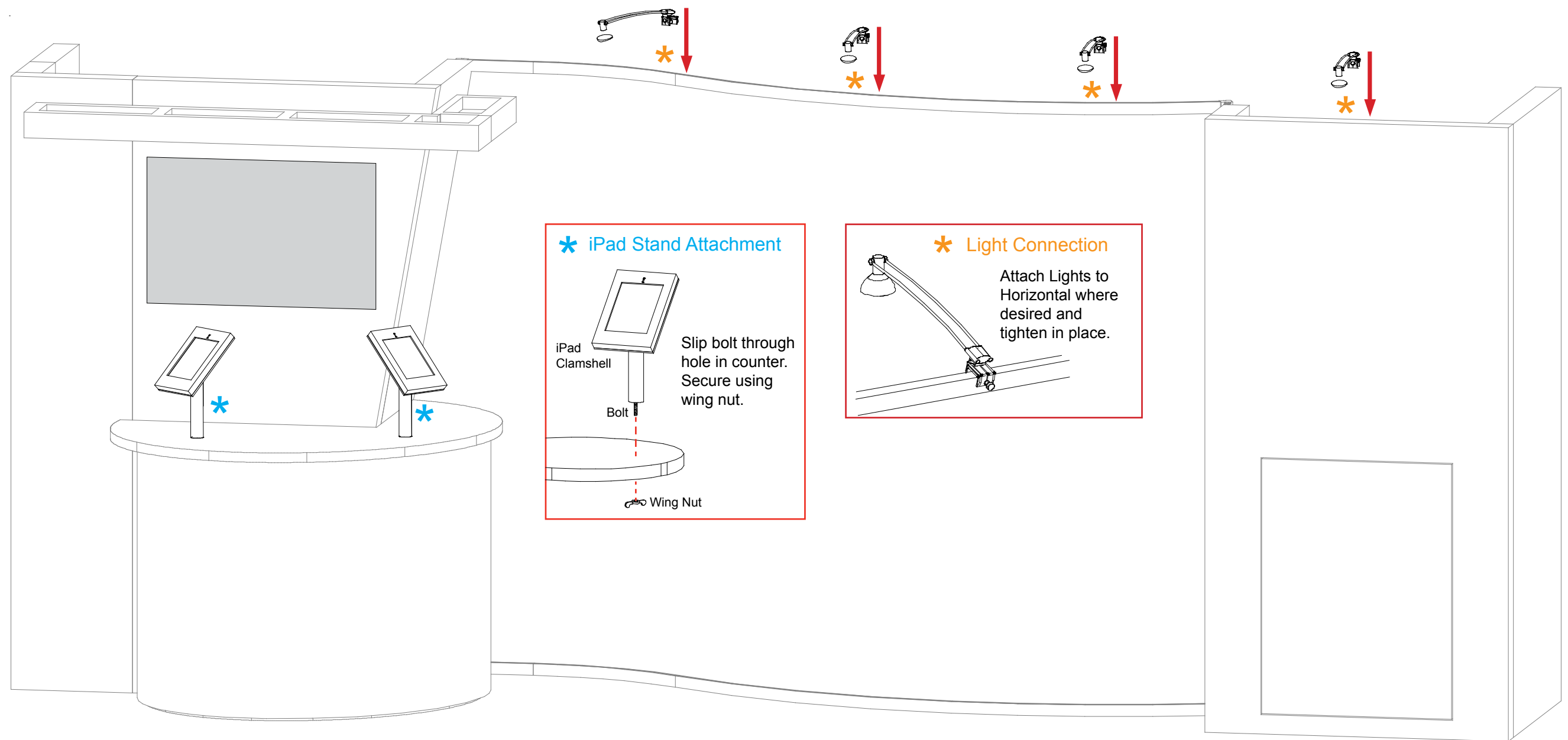


*** Monitor Mount Attachment**

- 1) Attach monitor Mount Plate to Wall, using bolts.
- 2) Attach monitor Brackets to back of monitor.
- 3) Hook Brackets over top of Mount Plate, secure with bolts on bottom of brackets.

Steps:

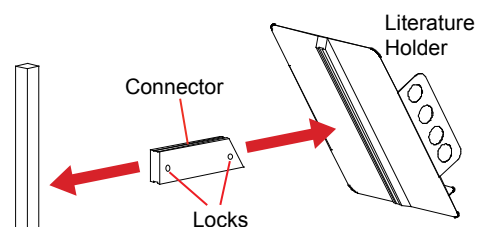
- 1) Attach lights to upper extrusions of Backwall. See [Light Connection](#) detail.
- 2) Attach iPad Workstations to top of counter. See [iPad Stand Attachment](#) detail.
- 3) Apply graphic to Velcro on back of assembled Backwall.



Steps:

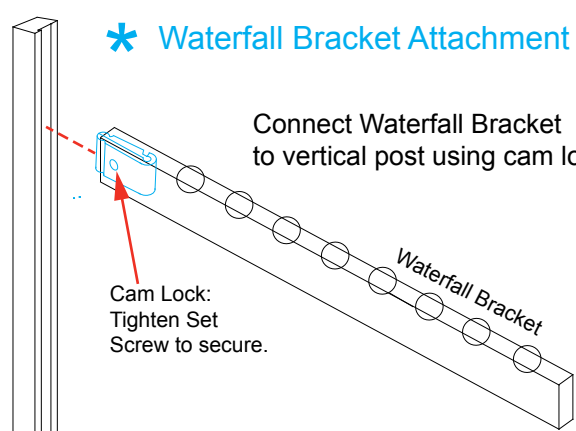
- 1) Connect Literature Holders or Waterfall Brackets to side of Reception Counter.
See [Literature Holder Attachment](#) detail.
See [Waterfall Bracket Attachment](#) detail.
- 2) Attach Plex Counter to top of assembled Reception Counter, using stand-off barrels.
See [Plex Counter Attachment](#) detail.

*** Literature Holder Attachment**



Attach angled end of Connector to Literature Holder. Attach flat end of Connector to vertical extrusion. Tighten locks to secure.

*** Waterfall Bracket Attachment**



Connect Waterfall Bracket to vertical post using cam lock

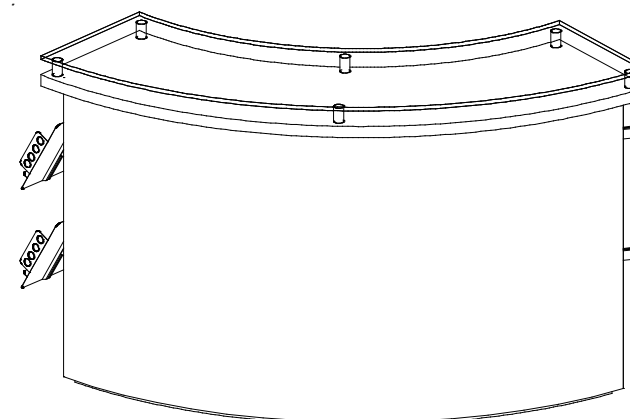
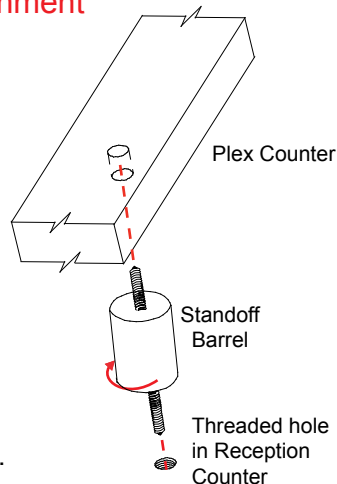
Cam Lock: Tighten Set Screw to secure.

*** Plex Counter Attachment**

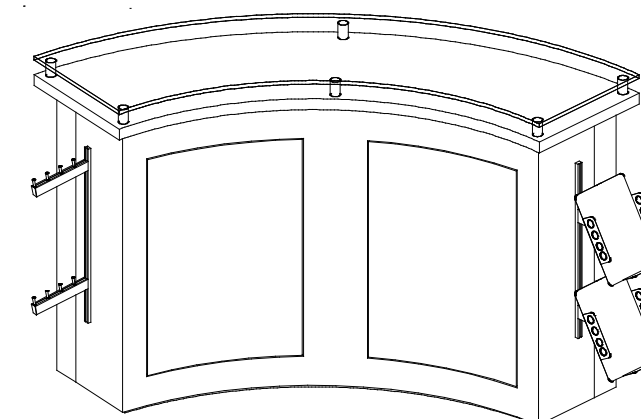
Turn Standoff Barrel into threaded hole on top of Counter to secure Standoff Barrel in place.

Place Plex Counter on top of Standoff Barrels.

Counter will rest on screws.



Front View



Back View

