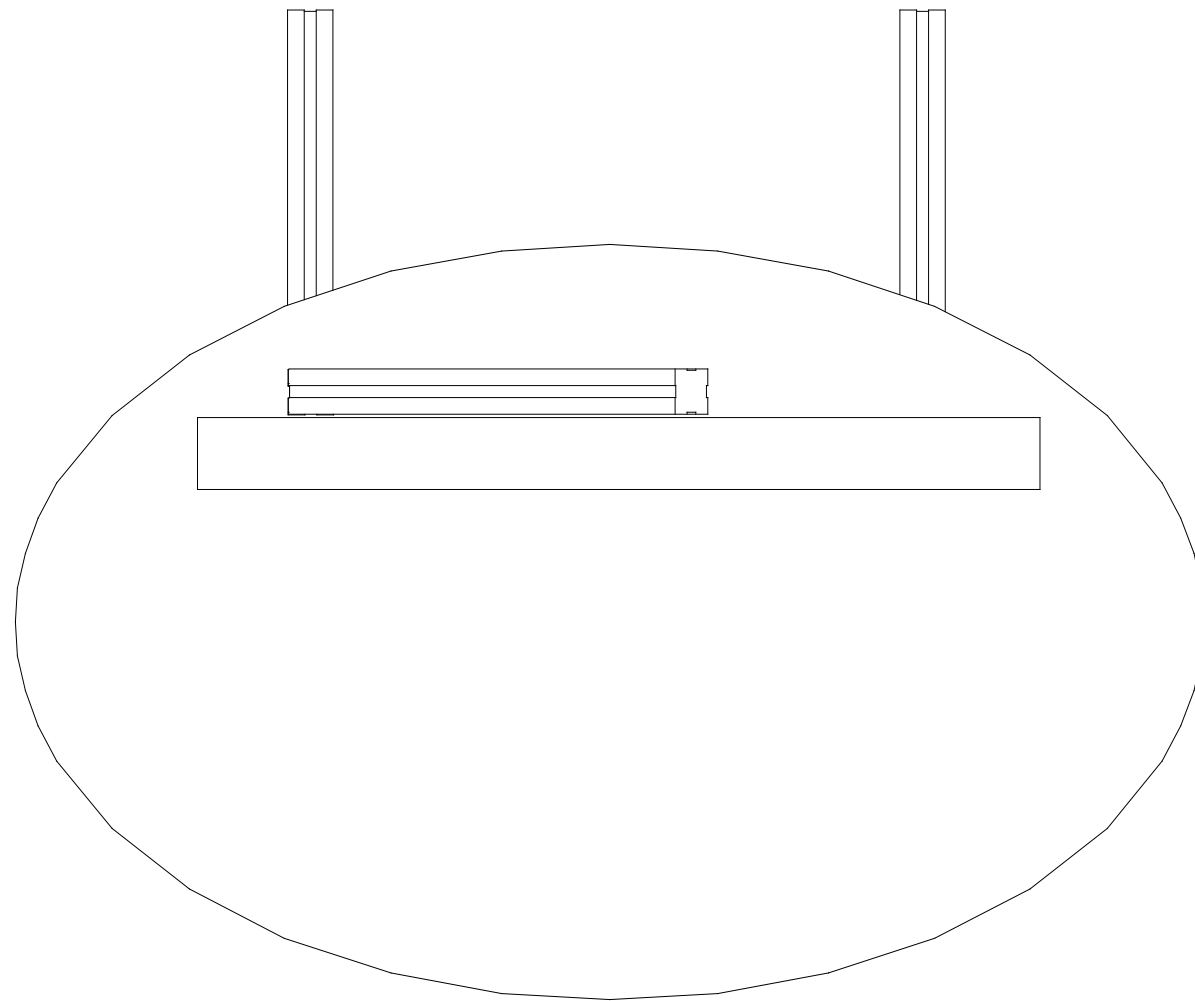
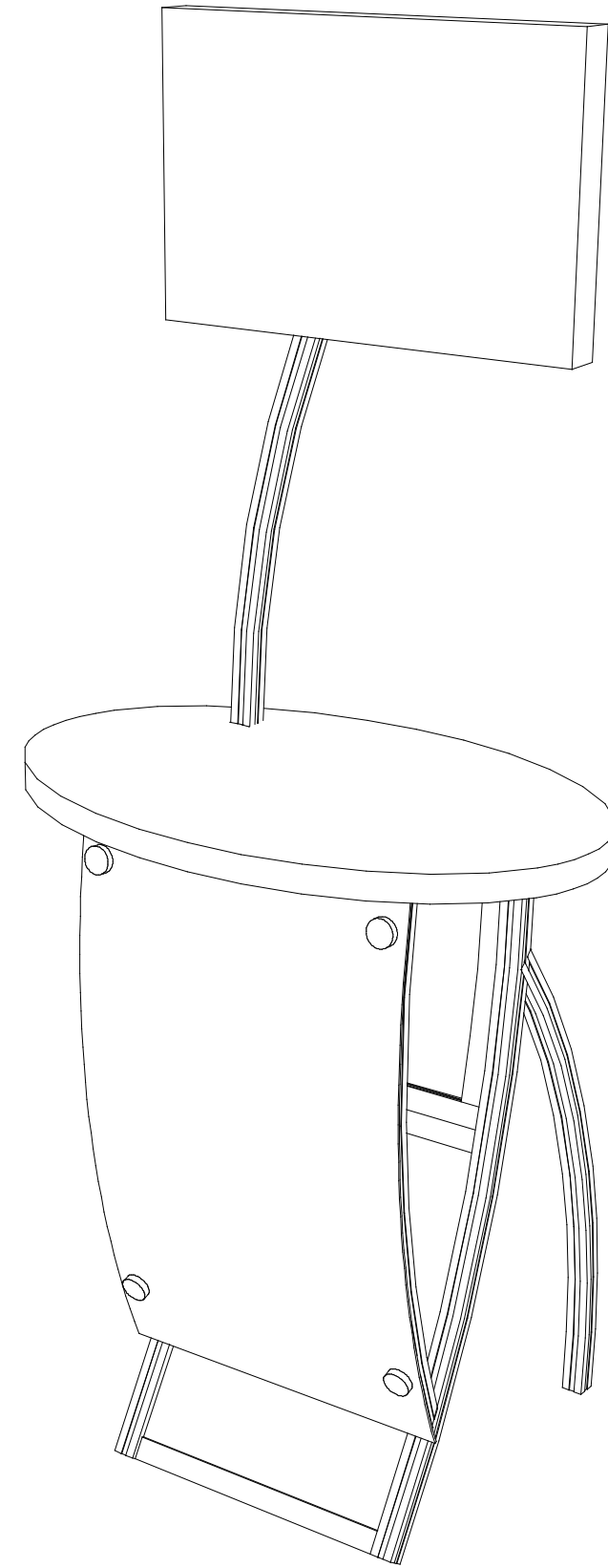


Perfect 10 Hybrid Displays



Plan View

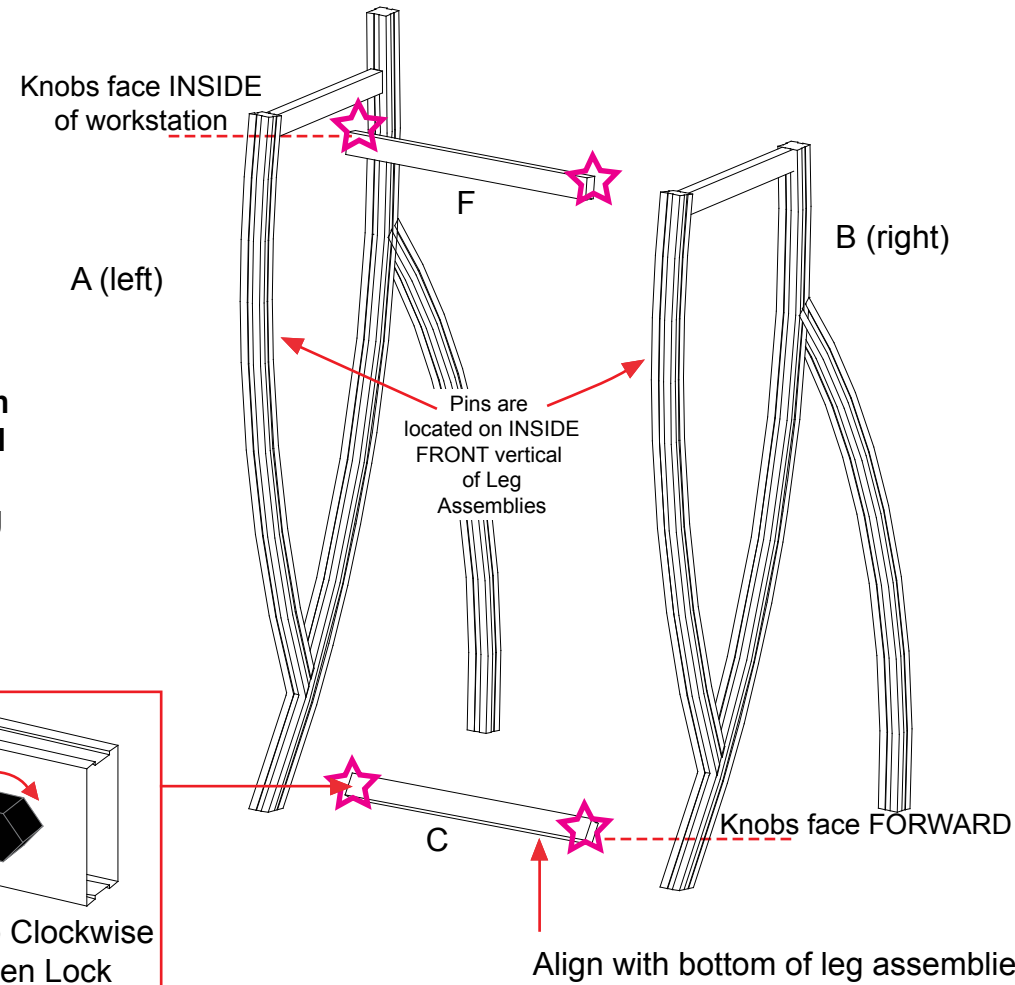


WHEN DISASSEMBLING ALUMINUM EXTRUSION, TIGHTEN ALL SETSCREWS AND LOCKS TO PREVENT LOSS DURING SHIPPING

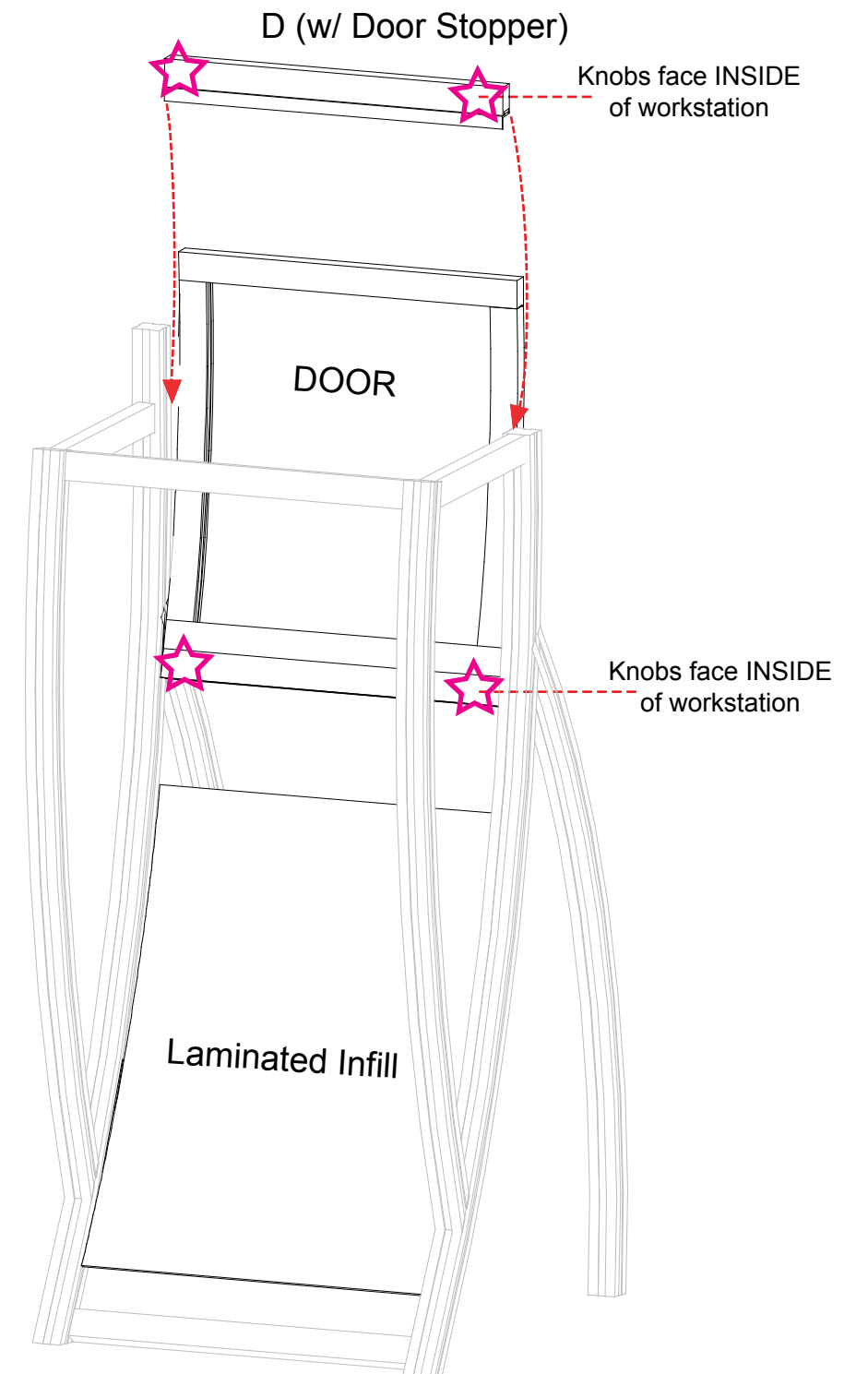
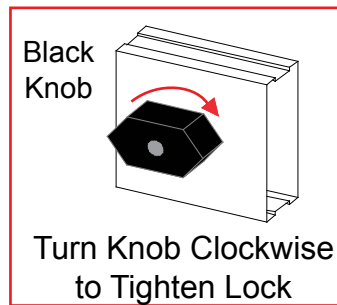
Part Number	Description
A	Left Leg Assembly
B	Right Leg Assembly
C	Horizontal Extrusion
D	Horizontal Extrusion w/ Door Stopper
F	Horizontal Extrusion

Steps:

- 1) Connect lower horizontal extrusion [C] between bottom of leg assemblies [A and B] as shown.
- 2) Connect upper horizontal extrusion [F] between top of leg assemblies [A and B] as shown.
- 3) Insert Laminated infill into grooves of leg assemblies [A and B].
- 4) Attach extrusion door between leg assemblies [A and B] and atop laminated infill.
- 5) Attach upper horizontal extrusion w/ door stopper [D] between leg assemblies [A and B], and set flush with top of legs [A and B].



NOTE: Make sure the lock is flush with extrusion before tightening. If lock will not fully engage, gently rock lock and extrusion back and forth while turning knob until lock fully opens.

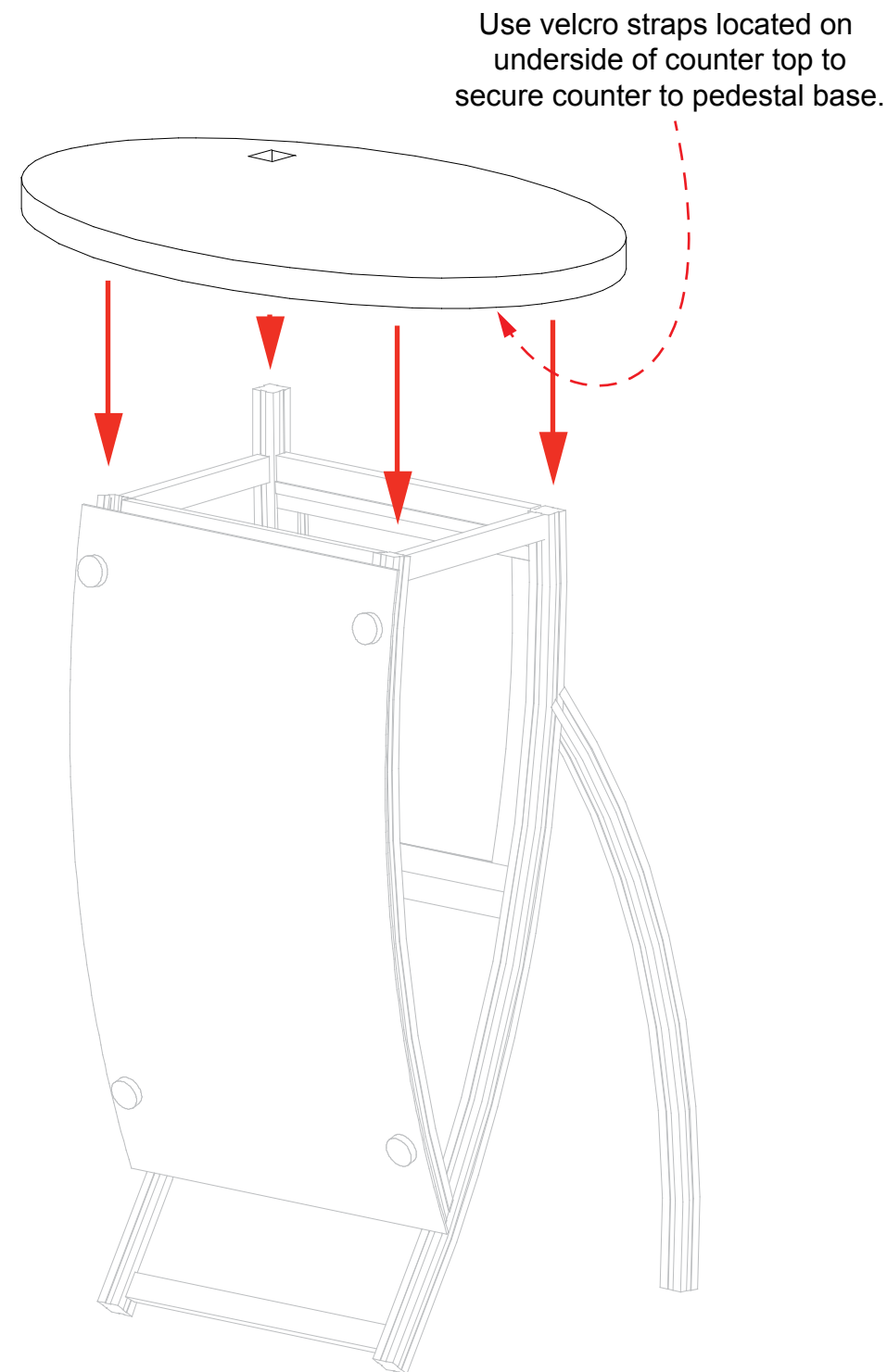
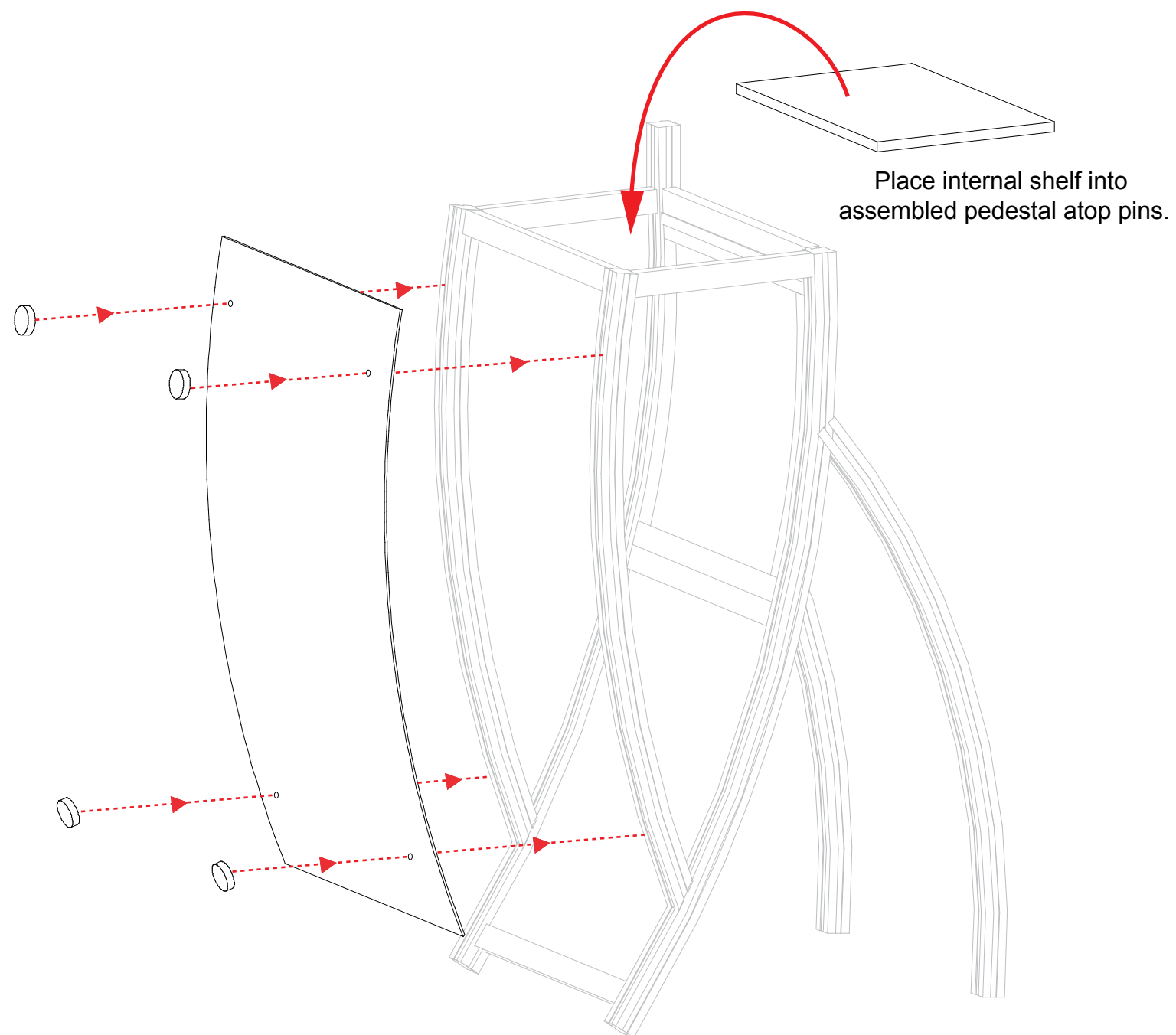


WHEN DISASSEMBLING ALUMINUM EXTRUSION, TIGHTEN ALL SETSCREWS AND LOCKS TO PREVENT LOSS DURING SHIPPING

866.652.2100

Steps:

- 1) Attach laminated front panel to assembled pedestal using standoff caps as shown below.
- 2) Place internal shelf into assembled pedestal atop pins..
- 3) Set counter atop assembled pedestal and secure with velcro straps attached to underside of top.



WHEN DISASSEMBLING ALUMINUM EXTRUSION, TIGHTEN ALL SETSCREWS AND LOCKS TO PREVENT LOSS DURING SHIPPING

866.652.2100

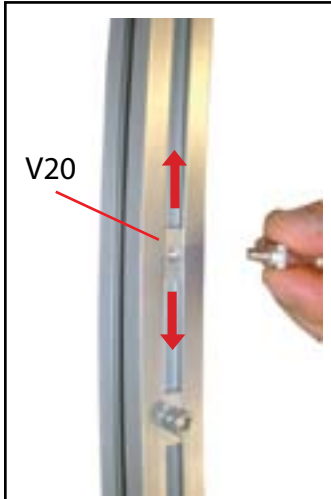
Part Number	Description
G	Curved Montior Mount Extrusion

Steps:

- 1) Slide connection bar into lower leg assembly. Slide upper vertical over bar and secure both.
- 2) Attach monitor mount to vertical as shown in detail below.

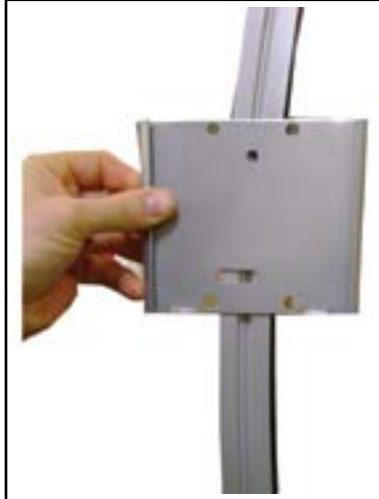
Monitor Mount Attachment

NOTE: Monitor mount should be installed while laying down on floor

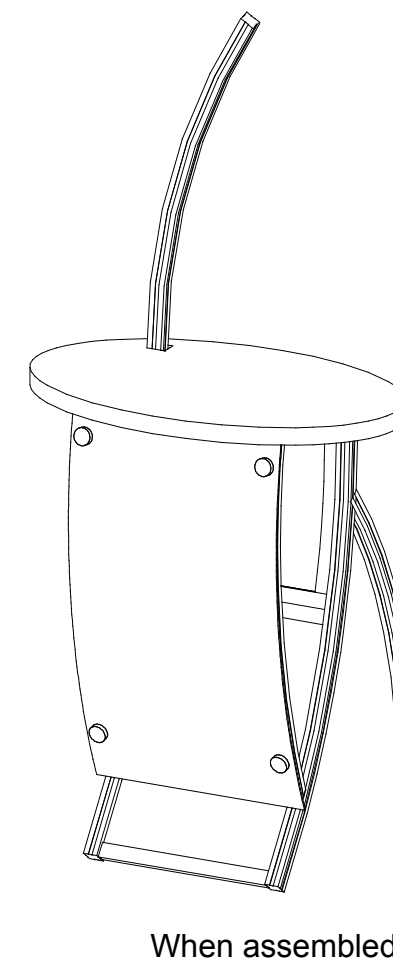
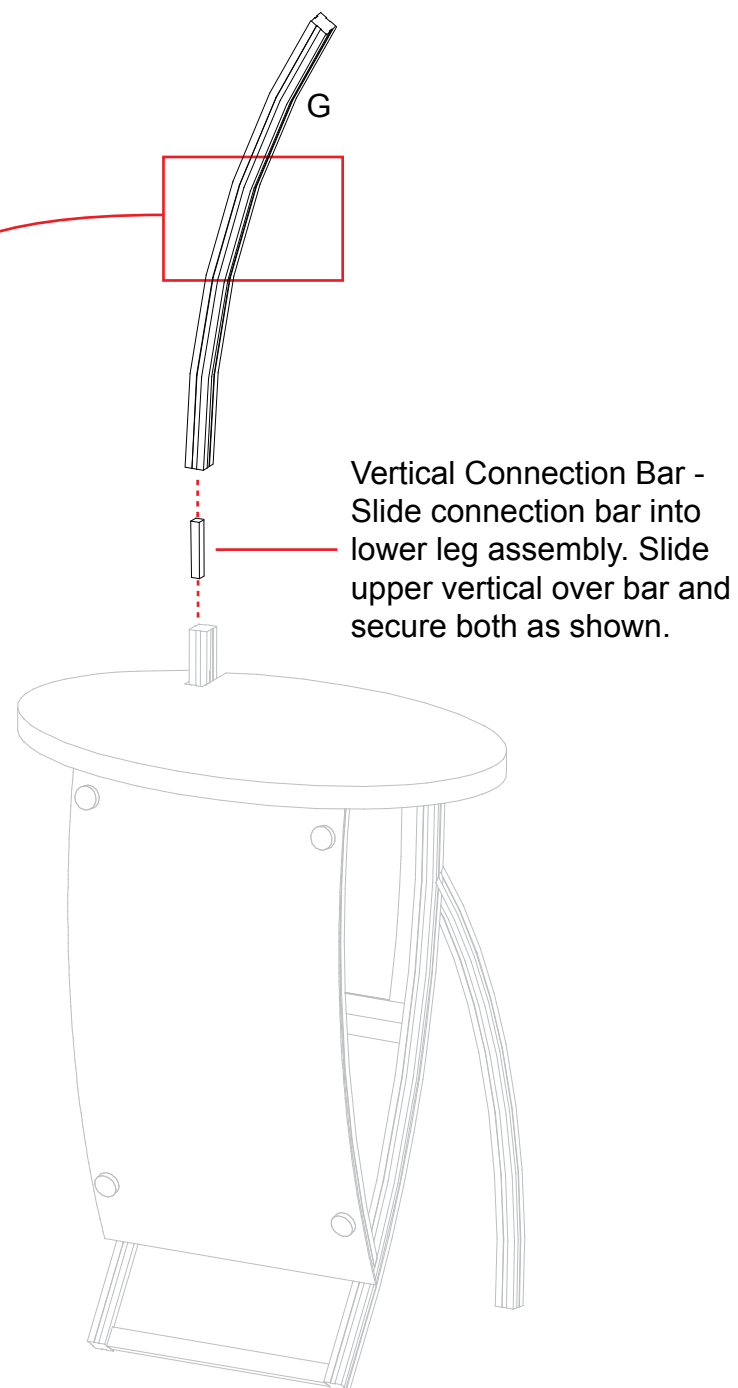


V20

Adjust V20 connector to desired location. Then remove screws.

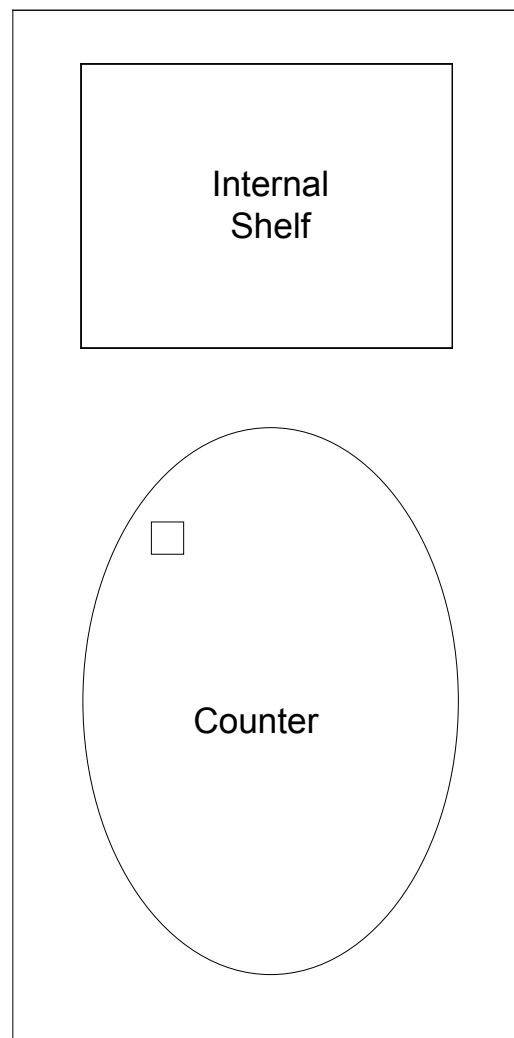


Place mount plate in front of V20 connectors. Then secure with screws.

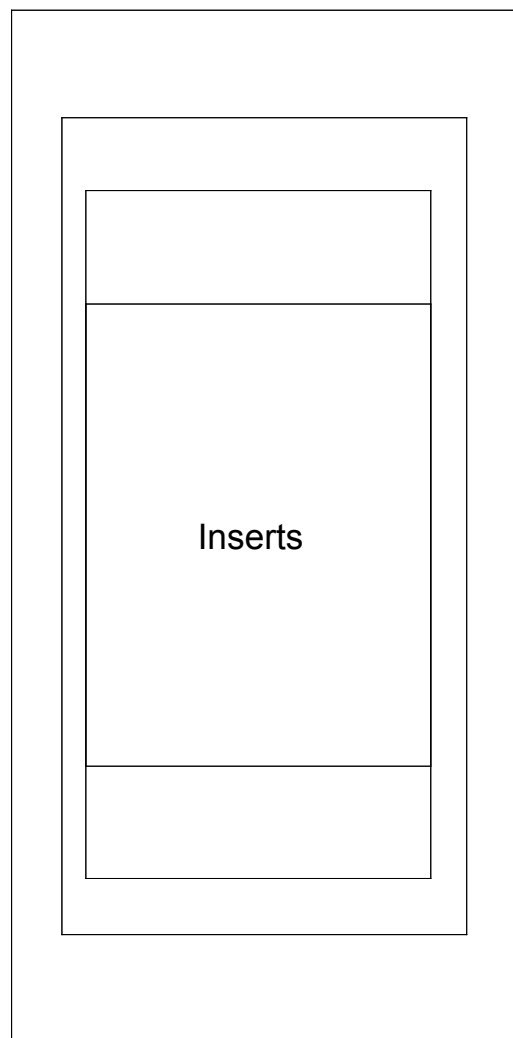


WHEN DISASSEMBLING ALUMINUM EXTRUSION, TIGHTEN ALL SETSCREWS AND LOCKS TO PREVENT LOSS DURING SHIPPING

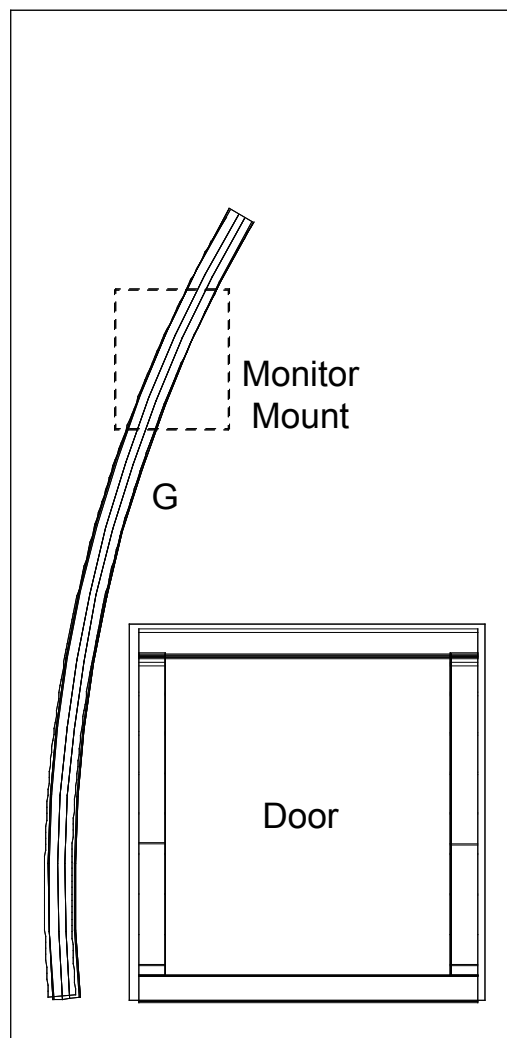
Top View of Each Level



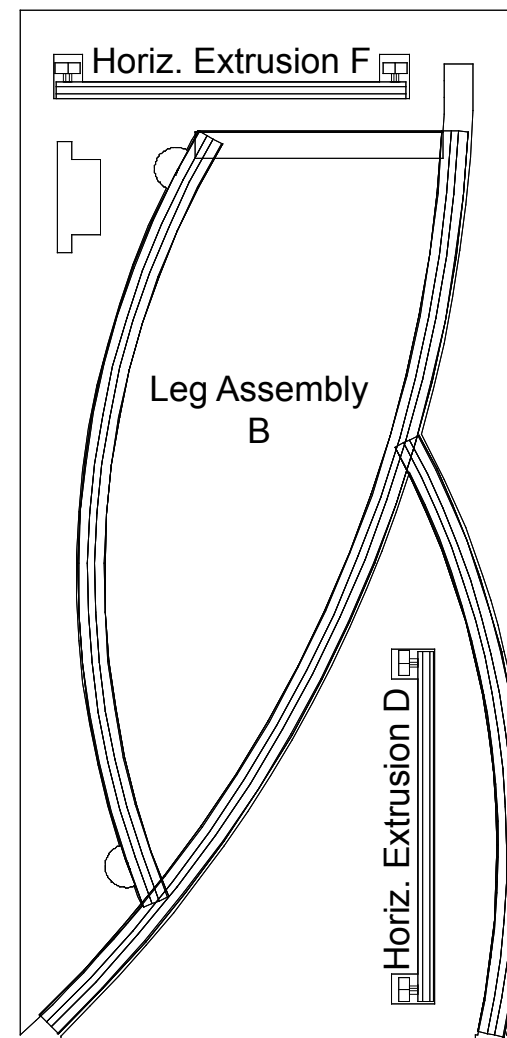
Level 1



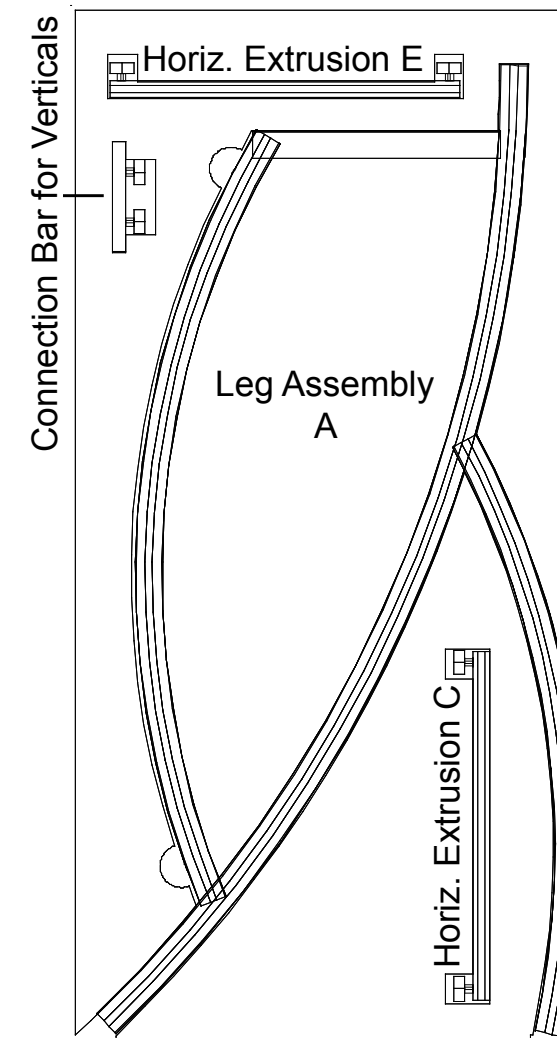
Level 2



Level 3



Level 4



Level 5

WHEN DISASSEMBLING ALUMINUM EXTRUSION, TIGHTEN ALL SETSCREWS AND LOCKS TO PREVENT LOSS DURING SHIPPING